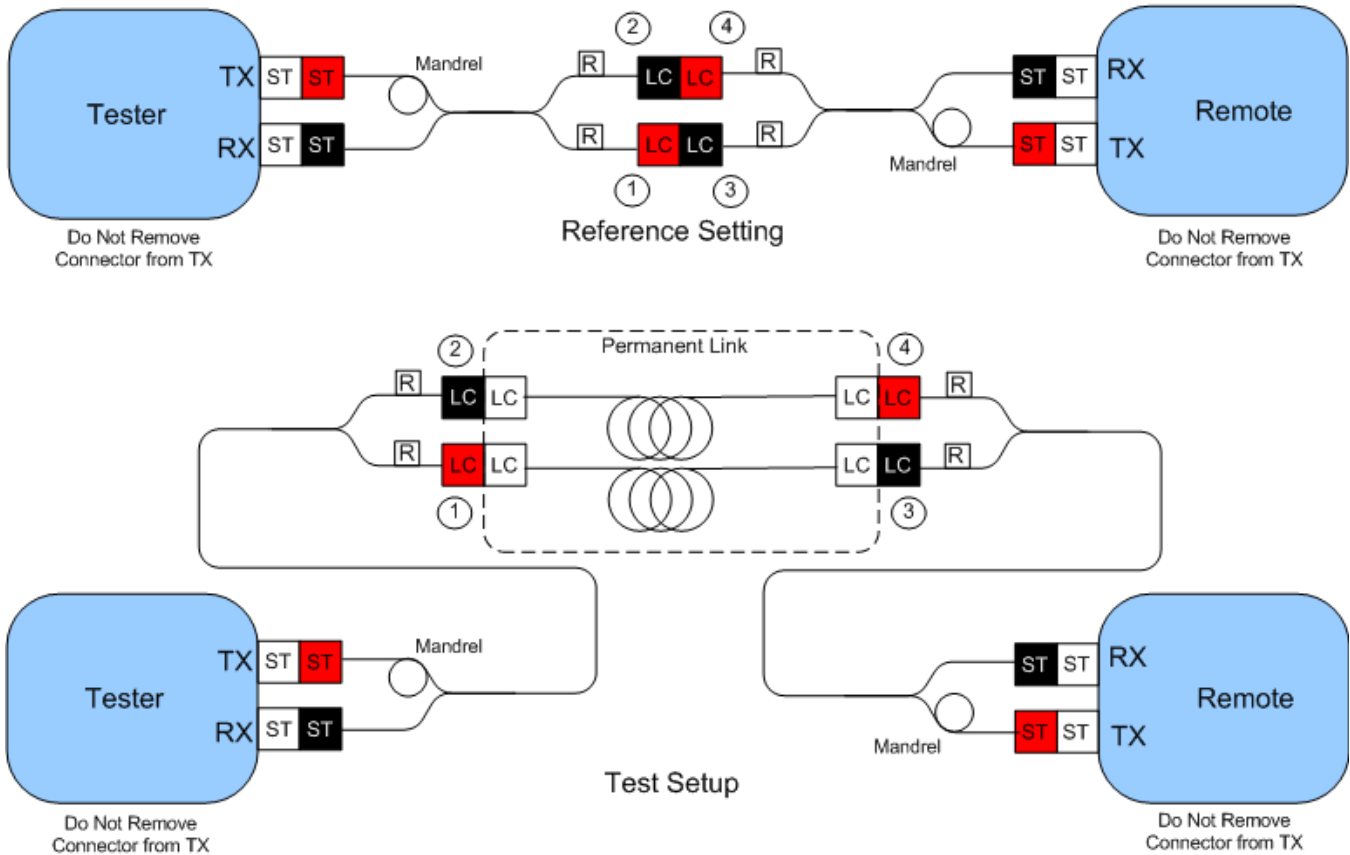


LC Perm Link with ST TX and ST RX on Test Set (Test Method A)



To complete this test you will need two (2) Duplex Standard ST to Reference Grade LC Cords and one (1) duplex LC adapter (part numbers as follows per fiber type):

- 2 - [FR2XS2-RLM02](#) (50µm)
- 2 - [FR26S2-RLM02](#) (62.5µm)
- 2 - [FR29S2-RLM02](#) (9µm)

Master Kits

- [FR2XS2-RLKIT](#) (50µm)
- [FR26S2-RLKIT](#) (62.5µm)
- [FR29S2-RLKIT](#) (9µm)

Note: Mandrels included in Master Kits

R Reference Quality Connector