

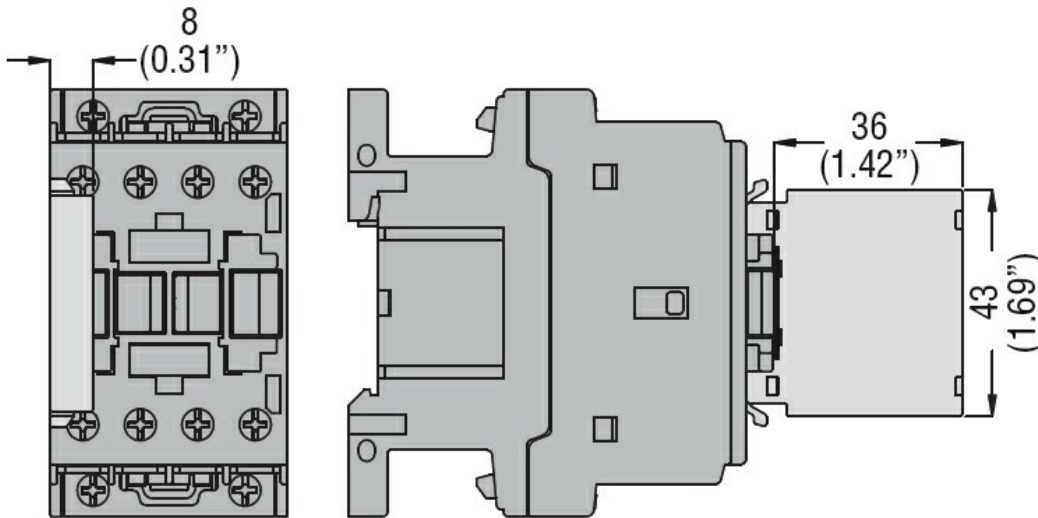


Mechanical features

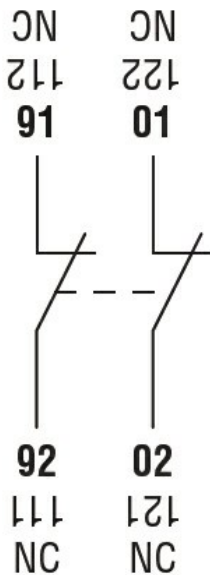
Fixing

Front lateral
mounting

Dimensions



Wiring diagrams



Certifications and compliance

Compliance

- CSA C22.2 n° 60947-1
- CSA C22.2 n° 60947-5-1
- IEC/EN 60947-1
- IEC/EN 60947-5-1
- UL 60947-1

UL 60947-5-1

Certificates

CCC

CSA

cURus

EAC

ETIM classification

ETIM 8.0

EC000041 -
Auxiliary contact
block