



Product designation

Signal tower  
Ø70mm/2.75"  
8TL7EL - Light  
modules

Product type designation

**General characteristics**

Diameter	mm - inch	70 / 2.75
Supply voltage (DC)	V	24
Colour		Green
IEC degree of protection		IP65

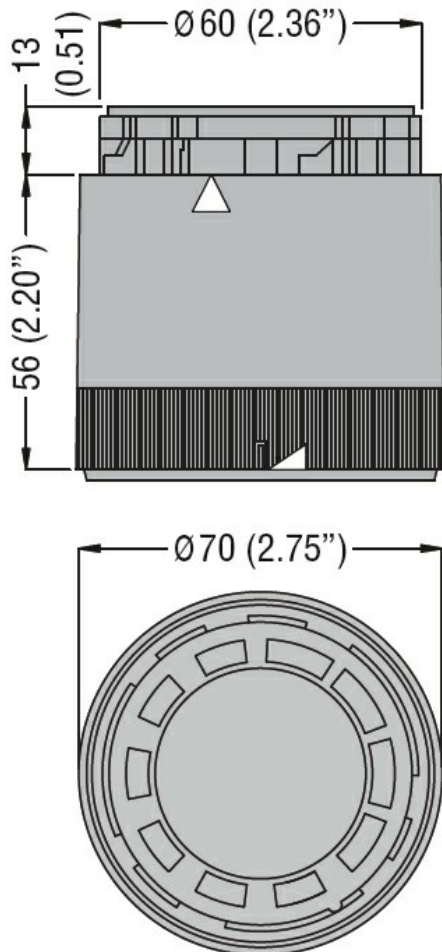
**Mechanical features**

Weight	g	82
--------	---	----

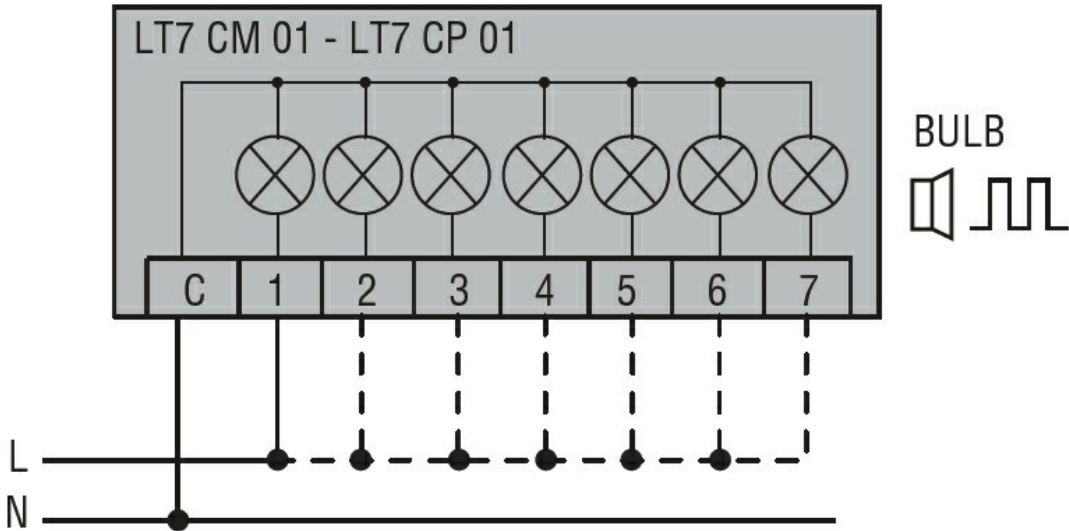
**Ambient conditions**

Temperature			
	Operating temperature	min	°C -20
		max	°C +50

**Dimensions**



Wiring diagrams



Connect terminals C and 1 as indicated to power the first module. If other modules are fitted, the respective terminals must be connected accordingly.

Certifications and compliance

Compliance

CSA C22.2 n° 14

IEC/EN 60947-1

IEC/EN 60947-5-1

UL508

Certificates

cULus

EAC

ETIM classification

ETIM 8.0

EC000232 -  
 Optical module  
 for signal tower