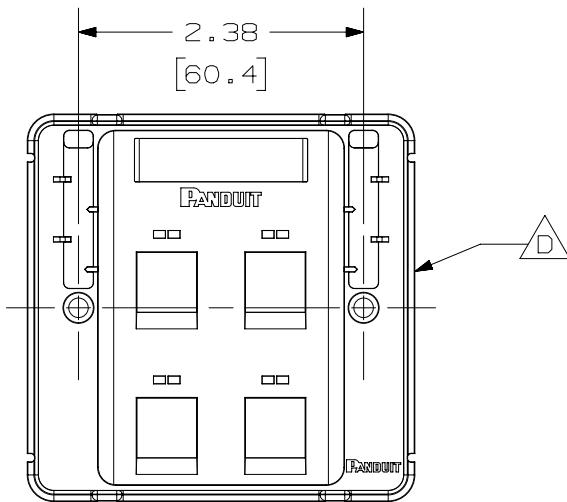
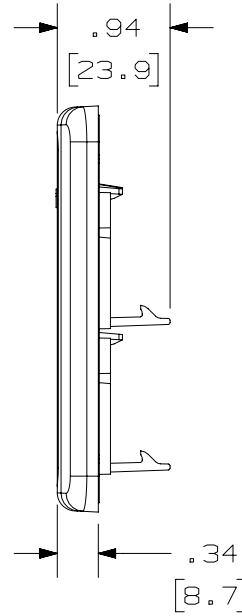
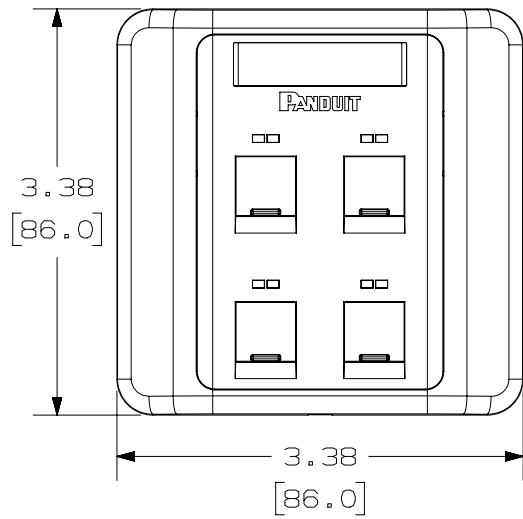


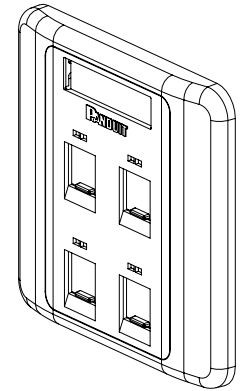
THIS COPY IS PROVIDED ON A RESTRICTED BASIS AND IS NOT TO BE USED IN ANY WAY DETRIMENTAL TO THE INTERESTS OF PANDUIT CORP.



PANDUIT P/N	WEIGHT
CFPL86F4S**	.94 LB/10 PCS (427.0 g/10 PCS)

NOTES:

- SEE CURRENT CATALOG FOR ADDITIONAL PART NUMBER SUFFIXES TO INDICATE COLOR AND OR PACKAGE QUANTITY.
- SEE CATALOG FOR COMPLETE LIST OF PARTS APPLICABLE FOR USE WITH THIS PART.
- DIMENSIONS IN [] ARE IN METRIC.
- PART INCLUDES:
 - 1- FACEPLATE
 - 1- FACEPLATE COVER
 - 1- LABEL
 - 1- LABEL COVER
 - 2- M4-0.7X25mm PAN HEAD MOUNTING SCREW



PART NUMBER		CFPL86F4S**	
TITLE			
MINI-COM 4 POSITION 86mm X 86mm FLAT SHUTTERED FACEPLATE			
CUSTOMER DRAWING			
ITEM REVISION NAME		M024830H/02	
DATASET FILE NAME		M024830H_DC/02A	
UNLESS OTHERWISE SPECIFIED, DIMENSIONAL TOLERANCES ARE: IN (mm)		MATERIAL:	
.x ± .xxx ± .010 (.3)		ABS	
.xx ± .03 (.8) ANGLES ±		DRAWING NUMBER:	
THIRD ANGLE PROJECTION		02483-19	
DRAWN BY	DATE	CHK	SCALE
JSP	10-31-07	JCO	NONE
SHT 1 OF 1		SIZE	
A		A	

REV	DATE	BY	CHK	APR	DESCRIPTION	ECN
4	1-19-16	BJN	JCO	MMR	D. ADDED VIEW TO SHOW MOUNTING HOLE DIMENSIONS REVISED & READRAWN PREVIOUS REVISIONS REMVD FOR CLARITY	02483-19

D10100DA/14

2

1

2

1