

Part number

CZAP 25 L221



Surface mounting housing, IL-BRID series, with 1 lever, Pg21 x 2 cable entry, size "66.16", high construction

Product description

Product type	Surface mounting housing
Series	IL-BRID
Closing type	With 1 lever
Size	Size 66.16
Cable entry	With cable entry Pg21 x 2
Specification	High construction

Technical data

IP degree of protection	IP65 / IP66 / IP69
--------------------------------	--------------------

Further technical details

Weight	153,00 g
Operating temperature range (min, max)	-40°C...+125°C

Material properties

Other materials	Lever: Polyamide (PA) and Stainless steel core
Colour	RAL 7040 grey
RoHs conformity	Compliant
China RoHs - EFUP	E
REACH SVHC substances	No

Approvals / Standards

UL	ECBT2
cUL	ECBT8

General ordering information

EAN13 code	8015747043397
-------------------	---------------

Packaging Information

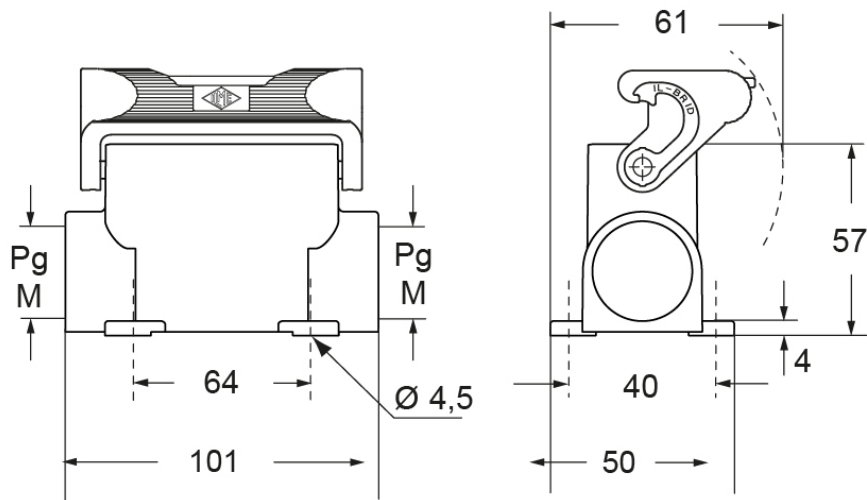
Packaging length	270,00 mm
Packaging height	130,00 mm
Packaging width	135,00 mm
Packaging weight	1,69 kg
Packaging volume	4,74 dm ³
Packaging description	Carton box
Packaging quantity	10 Pcs
Packaging EAN code	8015747252478
Sub-packaging weight	0,85 kg
Sub-packaging description	Plastic packaging
Sub-packaging quantity	5 Pcs
Sub-packaging EAN barcode	8015747252485

Part number

CZAP 25 L221



Catalogue drawings



Notes

Dimensions shown in mm are not binding and may be changed without notice.