



Adjustable roller lever  
KCF

Product designation

Product type designation

**General characteristics**

Material

|         |                       |
|---------|-----------------------|
| Housing | Polymer thermoplastic |
| Roller  | Rubber                |

**Contact characteristics**

|   |            |                        |
|---|------------|------------------------|
| Type of contact   |            | 2NO Slow action        |
| Thermal current I <sub>th</sub>                           | A          | 10                     |
| IEC/EN 60947-5-1 designation                              |            | A600 Q300              |
| Rated insulation voltage U <sub>i</sub>                   | V          | 690                    |
| Rated impulse withstand voltage U <sub>imp</sub>          | kV         | 6                      |
| Insulation class  |            | II                     |
| Short-circuit protection with fuse                        | Class/A    | 10 gG/SC<br>QUICK FUSE |
| Switching speed   | min<br>max | m/s<br>0.5<br>1.5      |
| IEC Conventional free air thermal current I <sub>th</sub> | A          | 10                     |
| Resistance per pole (average value)                       | mΩ         | <10                    |

**Mechanical features**

|                         |             |                        |
|-------------------------|-------------|------------------------|
| Operating head fixing   |             | Locking bayonet insert |
| Operating torque        | Ncm<br>ozin | 3<br>4.25              |
| Tightening torque (Max) |             |                        |
| Switch fixing           | Nm<br>lbin  | 2.5<br>22.1            |
| Contact terminals       | Nm<br>lbin  | 0.8<br>7               |
| Body lid screw fixing   | Nm<br>lbin  | 0.8<br>7               |

Conductor section

|           |            |  |
|-----------|------------|--|
| AWG/Kcmil | min<br>max | 16<br>14   |
| IEC       | min<br>max | mm <sup>2</sup><br>1or 2<br>mm <sup>2</sup><br>2.5 |

|                  |                               |
|------------------|-------------------------------|
| Cable connection | Self-releasing screw terminal |
| Cable entry      | M20 on the sides              |

**Operations**

|                      |          |           |
|----------------------|----------|-----------|
| Mechanical life      | cycles   | <10000000 |
| Mechanical operation | cycles/h | 3600      |

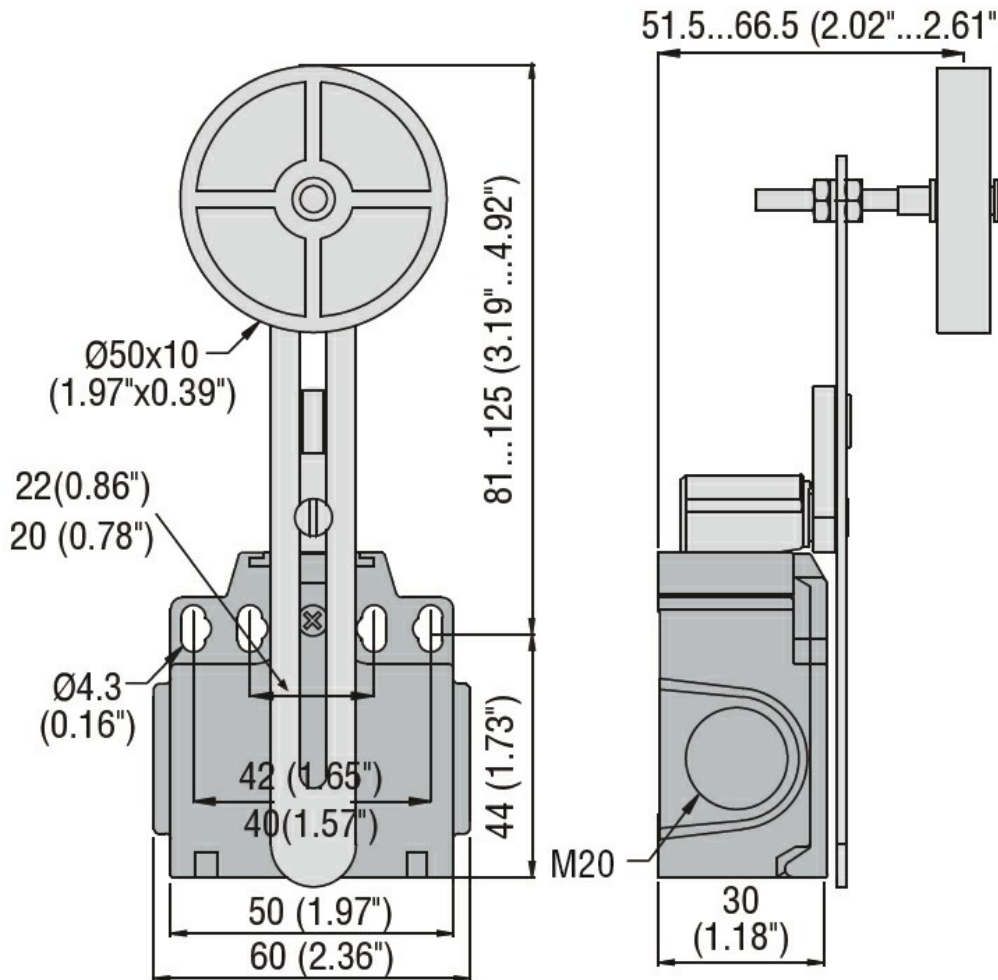
**Ambient conditions**

|             |                       |     |    |     |
|-------------|-----------------------|-----|----|-----|
| Temperature | Operating temperature | min | °C | -25 |
|             |                       | max | °C | +70 |
|             | Storage temperature   | min | °C | -40 |
|             |                       | max | °C | +70 |

**Resistance & Protection**

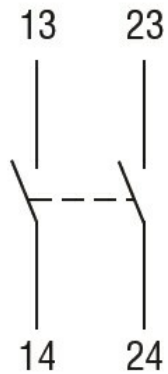
|                  |              |      |
|------------------|--------------|------|
| IP degree        | Terminals    | IP20 |
|                  | Body housing | IP65 |
| Pollution degree |              | 3    |

**Dimensions**



**Wiring diagrams**

## Slow action



**2NO**

### Certifications and compliance

#### Compliance

CSA C22.2 n° 14

EN 50047

IEC/EN 60204-1

IEC/EN 60947-1

IEC/EN 60947-5-1

UL508

#### Certificates

CCC

cULus

EAC

### ETIM classification

ETIM 8.0

EC000030 - End  
switch