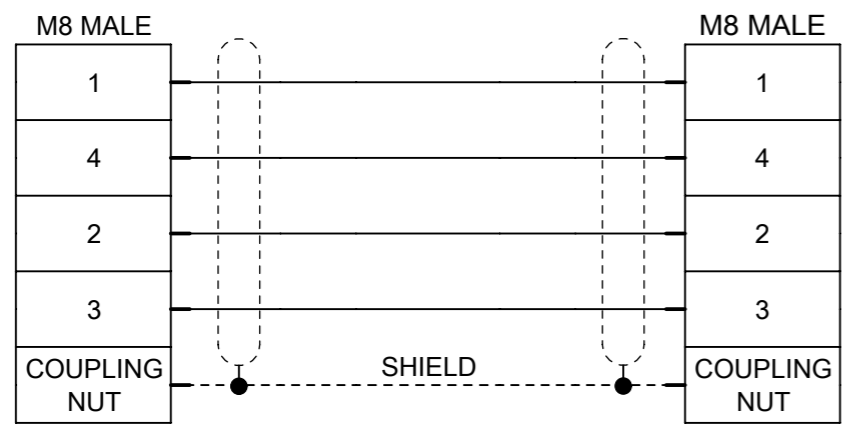


WIRING DIAGRAM



TWISTING:
 4 CORES ARE TWISTED TO A STARQUAD:
 PAIR 1: PIN 1/PIN 4
 PAIR 2: PIN 2/PIN 3

NOTES

- 1. RATED VOLTAGE: 30 V AC/DC
- 2. RATED CURRENT: 3 A
- 3. OPERATION TEMPERATURE: -20°C TO +80°C
- 4. INTERNATIONAL PROTECTION MARKING: IP67
- 5. CATEGORY: BASED ON CAT5
- 6. PACKAGING: 24 PIECES PER CARTON, WITHOUT PLASTIC BAG.

BOM

FOR OPTIONS SEE - NUMERICAL CODE - ON SHEET 2

ITEM	QTY	DESCRIPTION	MATERIAL	FINISH
8	SEE MATRIX	I/D CARRIER	PVC	TRANSPARENT
7	1	LABEL	VINYL	-
6	L + T	CABLE 1x4xAWG26 GREEN	PUR	-
5	2	OVERMOULD BLACK	TPU	-
4	2	SLEEVE SHLD	BRASS	Ni
3	2	COUPLING NUT M8 MALE	BRASS	Ni
2	2	INSERT M8 MALE 4P BLACK	PA	-
1	8	CONTACT M8 MALE	BRASS	Selective Au over Ni

THIS DRAWING CONTAINS INFORMATION THAT IS PROPRIETARY TO MOLEX ELECTRONIC TECHNOLOGIES, LLC AND SHOULD NOT BE USED WITHOUT WRITTEN PERMISSION

FUNCTIONAL SYMBOLS	THIS DRAWING CONTAINS INFORMATION THAT IS PROPRIETARY TO MOLEX ELECTRONIC TECHNOLOGIES, LLC AND SHOULD NOT BE USED WITHOUT WRITTEN PERMISSION	CURRENT REV DESC:	molex		
FUNCTIONAL SYMBOLS	THIS DRAWING CONTAINS INFORMATION THAT IS PROPRIETARY TO MOLEX ELECTRONIC TECHNOLOGIES, LLC AND SHOULD NOT BE USED WITHOUT WRITTEN PERMISSION	CURRENT REV DESC:			
FUNCTIONAL SYMBOLS	THIS DRAWING CONTAINS INFORMATION THAT IS PROPRIETARY TO MOLEX ELECTRONIC TECHNOLOGIES, LLC AND SHOULD NOT BE USED WITHOUT WRITTEN PERMISSION	CURRENT REV DESC:	CSE M8 M8 4P AC MA STR PUR MA STR XM		
FUNCTIONAL SYMBOLS	THIS DRAWING CONTAINS INFORMATION THAT IS PROPRIETARY TO MOLEX ELECTRONIC TECHNOLOGIES, LLC AND SHOULD NOT BE USED WITHOUT WRITTEN PERMISSION	CURRENT REV DESC:	PRODUCT CUSTOMER DRAWING		
DIVISIONAL SYMBOLS	THIS DRAWING CONTAINS INFORMATION THAT IS PROPRIETARY TO MOLEX ELECTRONIC TECHNOLOGIES, LLC AND SHOULD NOT BE USED WITHOUT WRITTEN PERMISSION	CURRENT REV DESC:	DOCUMENT NUMBER	DOC TYPE	DOC PART
DIVISIONAL SYMBOLS	THIS DRAWING CONTAINS INFORMATION THAT IS PROPRIETARY TO MOLEX ELECTRONIC TECHNOLOGIES, LLC AND SHOULD NOT BE USED WITHOUT WRITTEN PERMISSION	CURRENT REV DESC:	1203591000	PSD	000
DIVISIONAL SYMBOLS	THIS DRAWING CONTAINS INFORMATION THAT IS PROPRIETARY TO MOLEX ELECTRONIC TECHNOLOGIES, LLC AND SHOULD NOT BE USED WITHOUT WRITTEN PERMISSION	CURRENT REV DESC:	MATERIAL NUMBER	CUSTOMER	SHEET NUMBER
DIVISIONAL SYMBOLS	THIS DRAWING CONTAINS INFORMATION THAT IS PROPRIETARY TO MOLEX ELECTRONIC TECHNOLOGIES, LLC AND SHOULD NOT BE USED WITHOUT WRITTEN PERMISSION	CURRENT REV DESC:	SEE SHEET 2	GENERAL MARKET	1 OF 2

NUMERICAL CODE (Available parts see PART LIST table. Other parts available upon request).

OPTIONS

E 4 4 A 0 6 0 X X M X X X X

E=Ethernet/
EtherCat

Heads:
4=M8 A-Coding
4=M8 A-Coding

Wiring type:
A=4 Pole (Straight Wired)

Heads style:
060=Male STR
/ Male STR

Cable type:
See cable table

Units:
M=Meter
T=10x meter

Length
Examples:
005=0.5 units
010=1 units
150=15 units

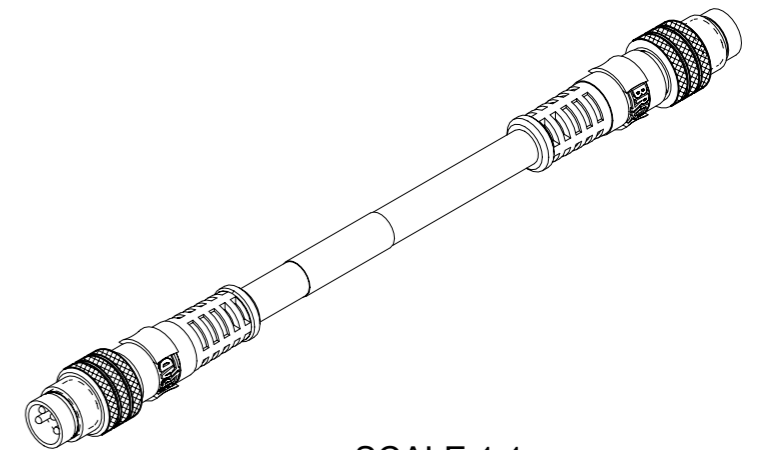
H= 2 pcs. of
I/D Carrier

CABLE INFORMATION (for more information see Cable Data Sheet).

CABLE TYPE	NO. OF WIRES	CROSS SECTION	CABLE JACKET	UL/CSA	STATIC: TEMP. / BENDING RADIUS	DYNAMIC: TEMP. / BENDING RADIUS	SHIELD
20	4	AWG26 (0.15mm ²)	PUR GREEN	80°C, 30V	-20°C to +80°C, 7.5xO.D.	-20°C to +50°C, 12xO.D.	YES

PART LIST

No.	Molex P/N	Engineering no.	Cable Length "L"	CABLE LENGTH TOLERANCES "L"		
				LENGTH	TOLERANCE	
1	1203591000	E44A06020M006	600	shorter than 1m	+40 mm	-0 mm
2	1203591001	E44A06020M010	1000	1m-5m	+60 mm	-0 mm
3	1203591002	E44A06020M020	2000	5m-10m	+80 mm	-0 mm
4	1203591003	E44A06020M030	3000	10m-20m	+140 mm	-0 mm
5	1203591004	E44A06020M050	5000	20m-30m	+160 mm	-0 mm
6	1203591005	E44A06020M075	7500	longer than 30m	+1%	-0 mm
7	1203591006	E44A06020M100	10000			
8	1203591007	E44A06020M120	12000			
9	1203591008	E44A06020M150	15000			
10	1203591009	E44A06020M200	20000			
11	1203595010	E44A06020M003H	300			
12	1203595011	E44A06020M005H	500			
13	1203595012	E44A06020M050H	5000			
14	1203595013	E44A06020M070H	7000			
15	1203595014	E44A06020M090H	9000			
16	1203595015	E44A06020M030H	3000			



SCALE 1:1

FUNCTIONAL SYMBOLS $\nabla_A = 0$ $\nabla_E = 0$ $\nabla_V = 0$	THIS DRAWING CONTAINS INFORMATION THAT IS PROPRIETARY TO MOLEX ELECTRONIC TECHNOLOGIES, LLC AND SHOULD NOT BE USED WITHOUT WRITTEN PERMISSION	SCALE	CURRENT REV DESC:		
	mm	1:1	molex		
	GENERAL TOLERANCES (UNLESS SPECIFIED)		CSE M8 M8 4P AC MA STR PUR MA STR XM		
	ANGULAR TOL ± 1.0°		PRODUCT CUSTOMER DRAWING		
DIVISIONAL SYMBOLS 4 PLACES ± 3 PLACES ± 2 PLACES ± 0.05 1 PLACE ± 0.3 0 PLACES ± 0.5	EC NO: 645697	2020/09/17	DOCUMENT NUMBER		
	DRWN: SSM	2020/09/21	DOC TYPE DOC PART REVISION		
	CHK'D: RSILLER	2020/09/21	1203591000 PSD 000 A3		
	APPR: RSILLER	2020/09/21	SHEET NUMBER		
INITIAL REVISION:		2015/05/20	MATERIAL NUMBER		
DRWN: THAERDT		2015/05/28	CUSTOMER		
APPR: RSILLER			SEE PART LIST GENERAL MARKET		
DRAFT WHERE APPLICABLE MUST REMAIN WITHIN DIMENSIONS		THIRD ANGLE PROJECTION	DRAWING	SERIES	SHEET NUMBER
			A3-SIZE	120359	2 OF 2