

h3 x630

3P - 4P

	A (mm)
3P	140
4P	185

mm

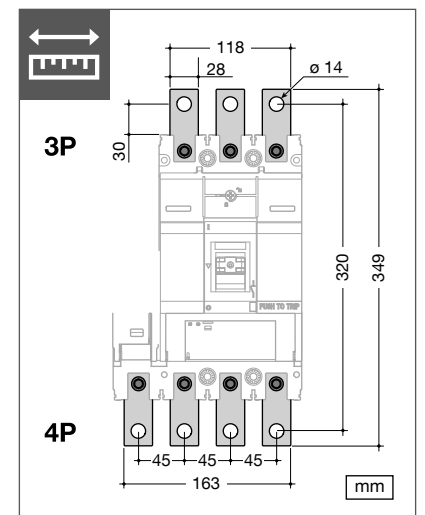
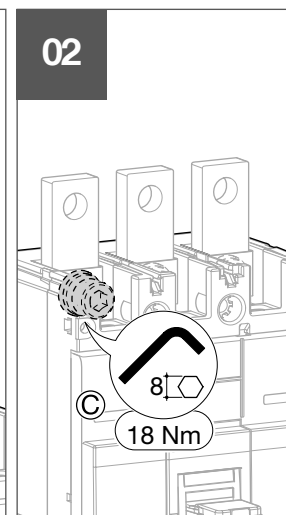
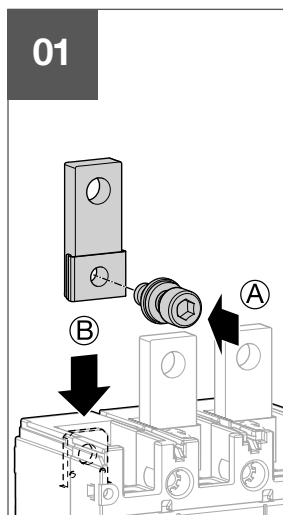
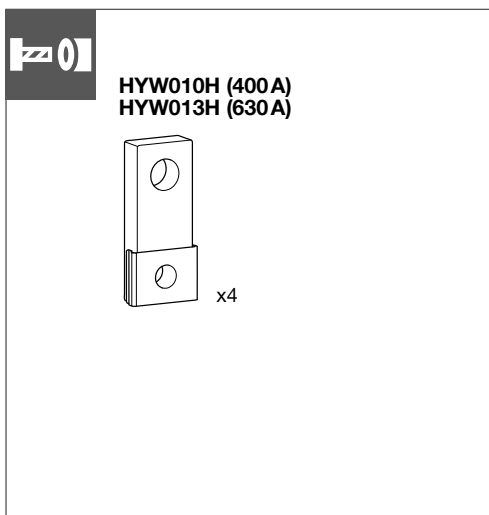
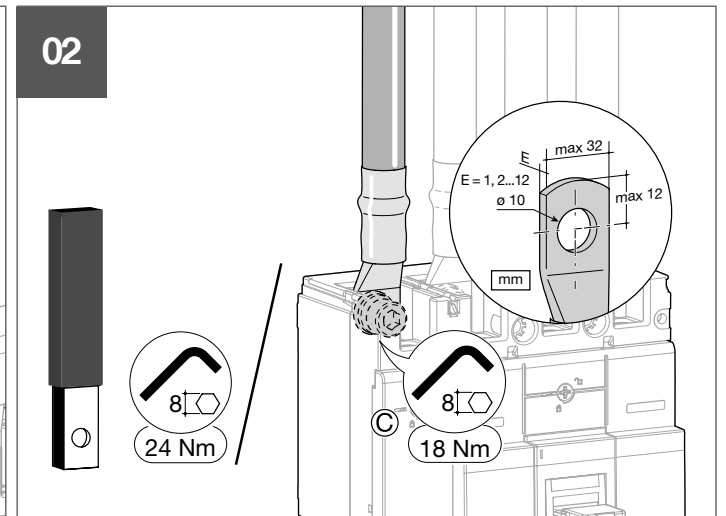
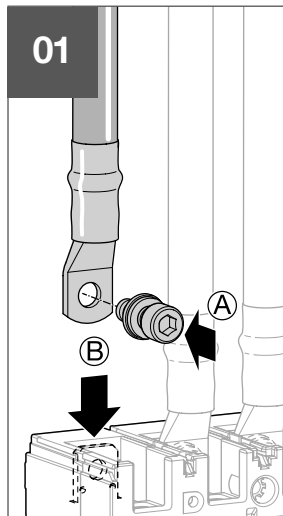
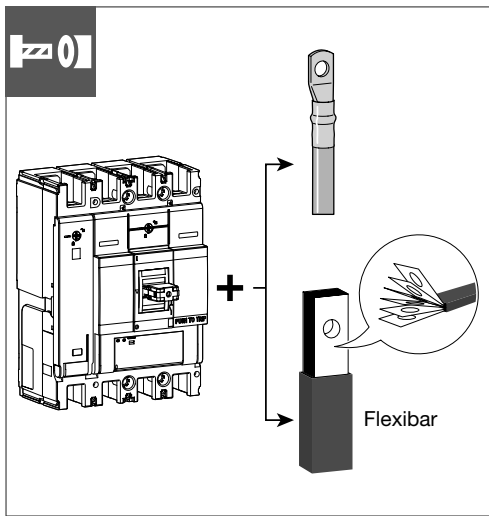
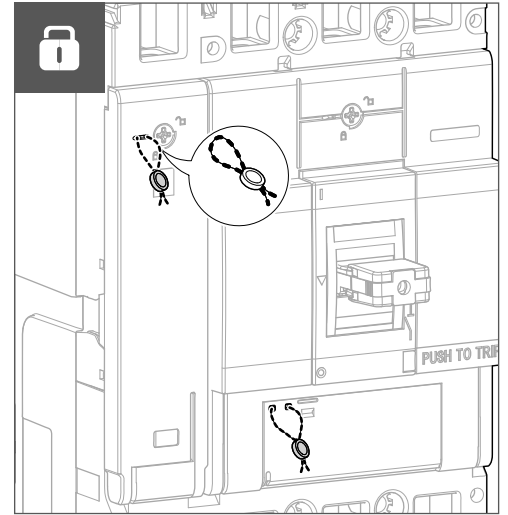
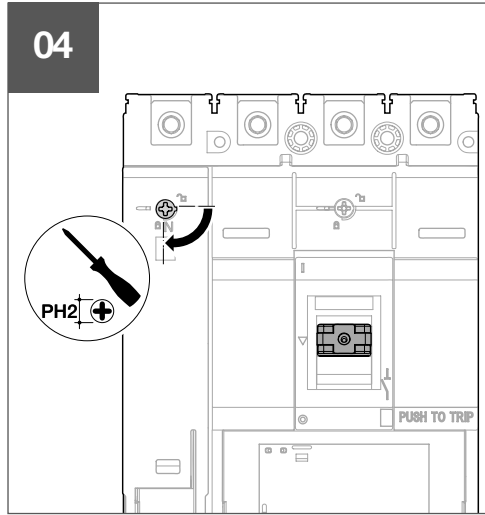
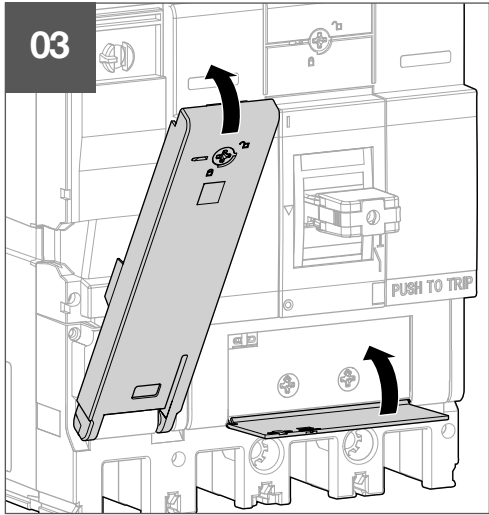
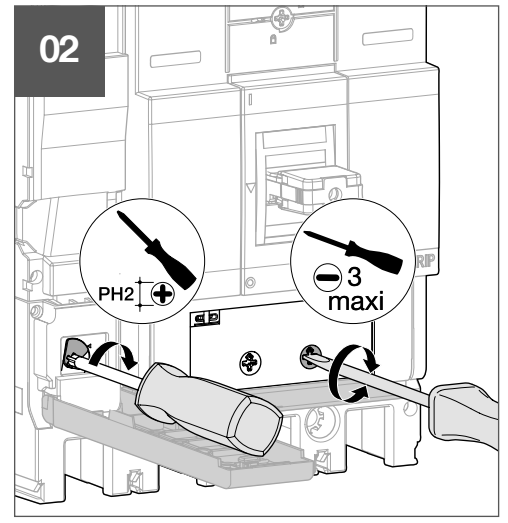
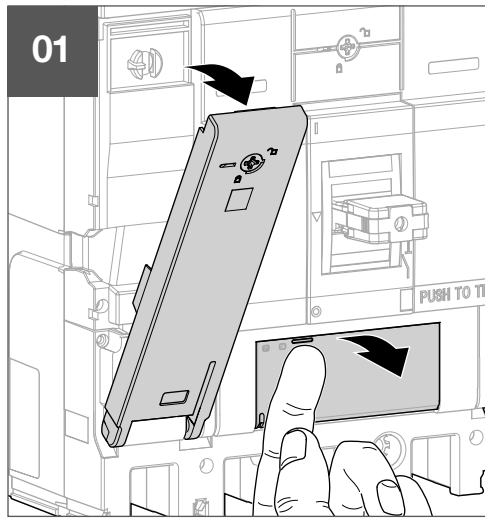
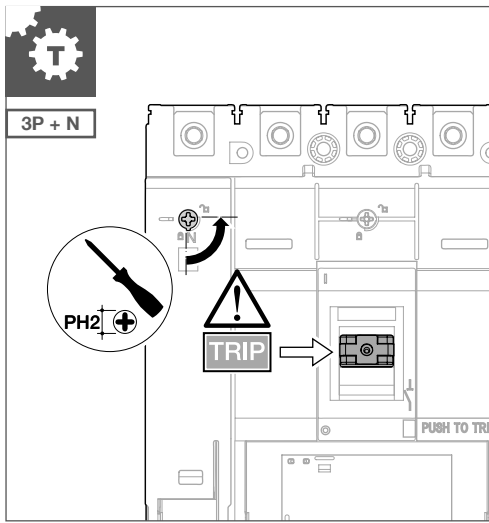
TRIP → **OFF** → **ON** → **TRIP** → **OFF**

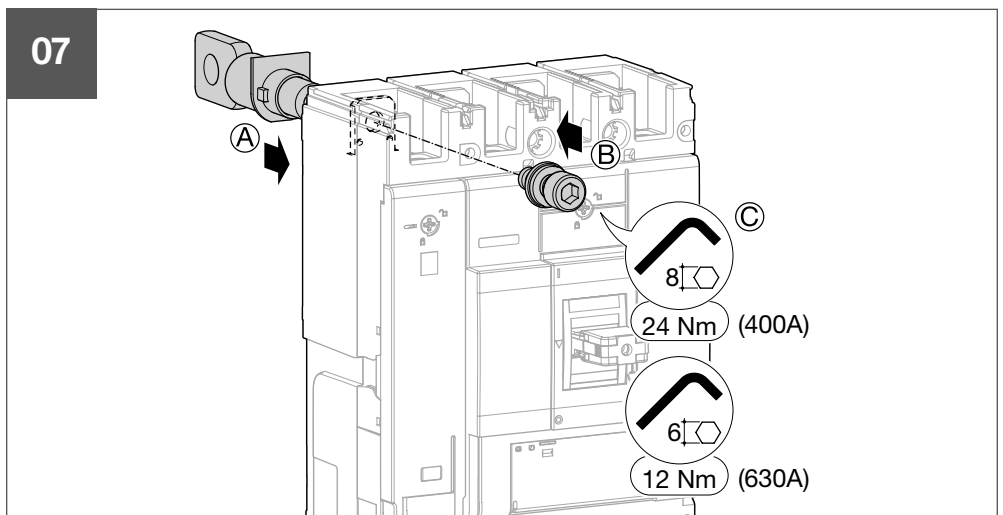
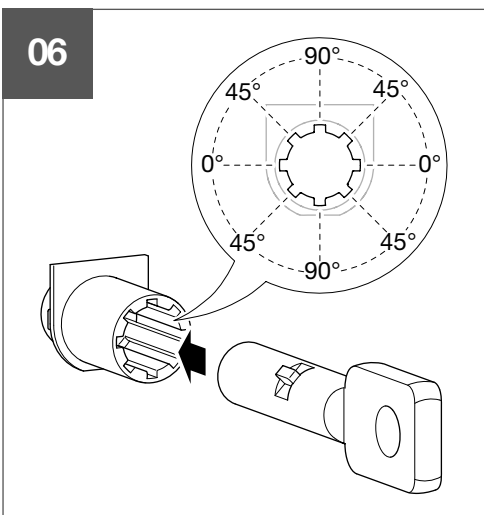
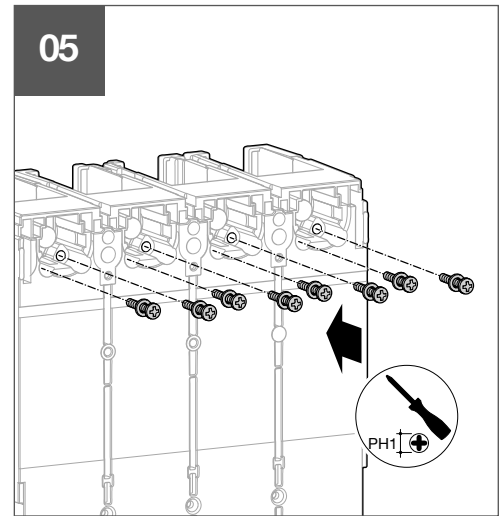
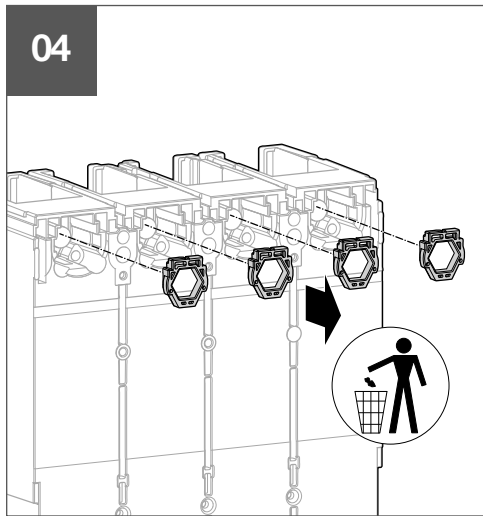
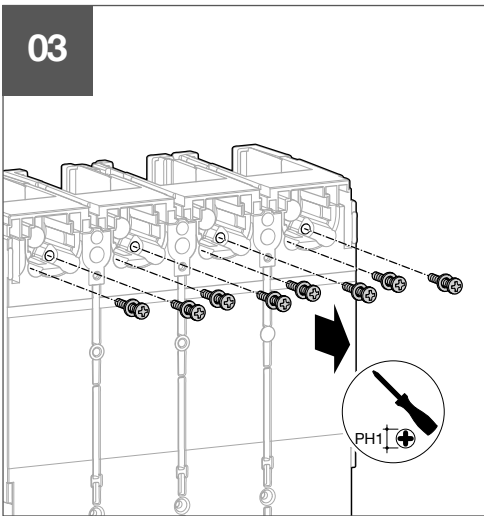
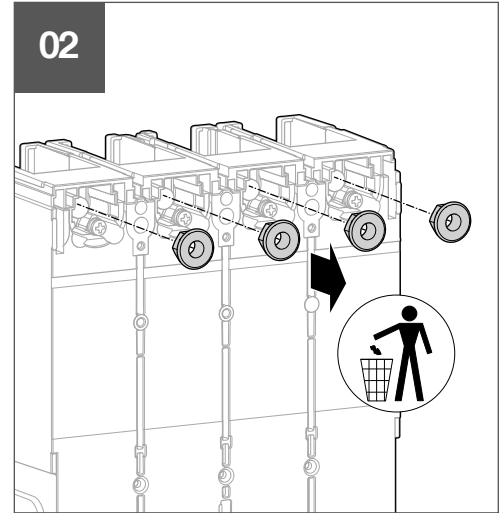
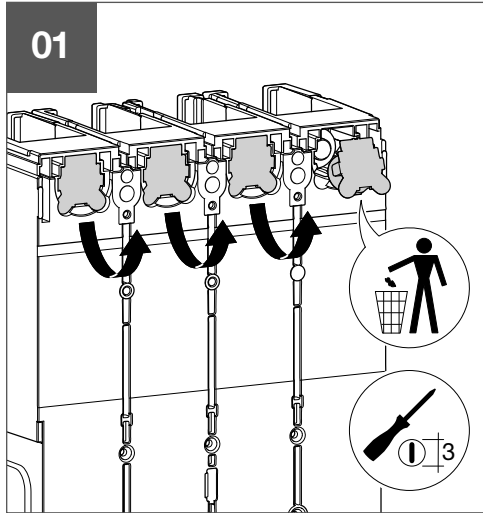
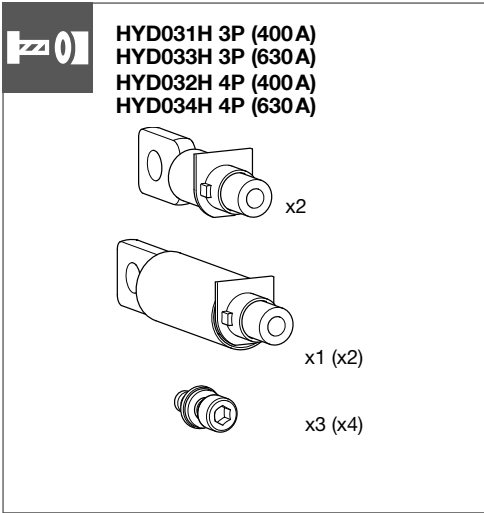
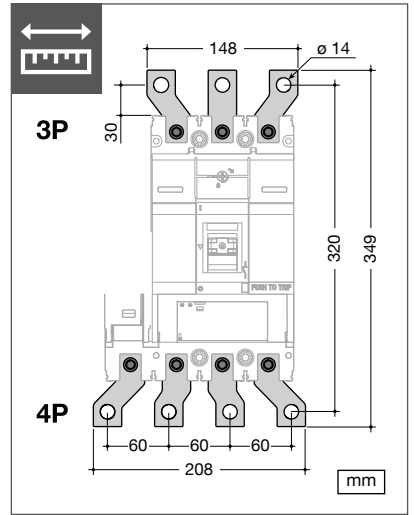
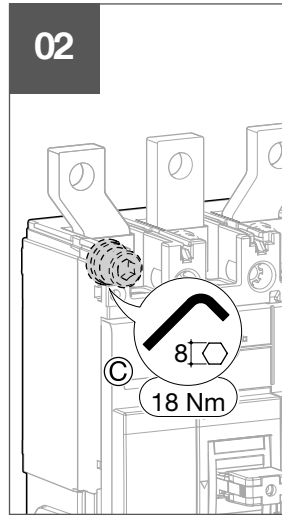
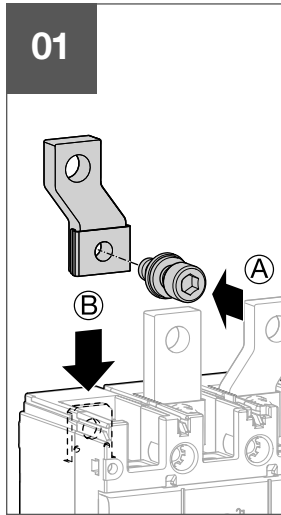
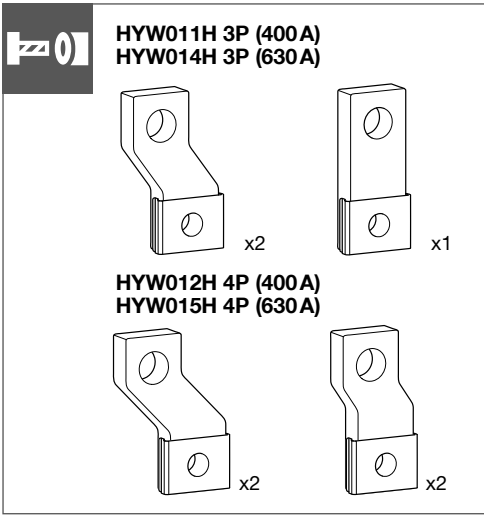
A

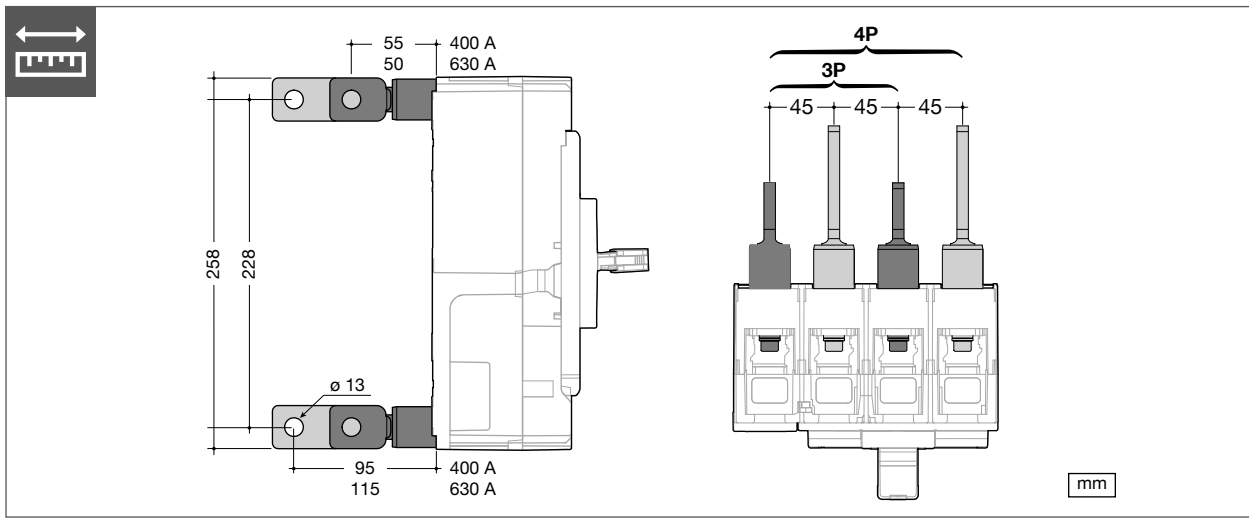
B

C

D







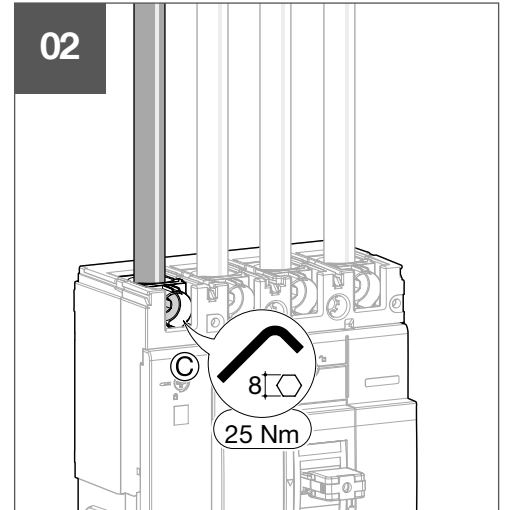
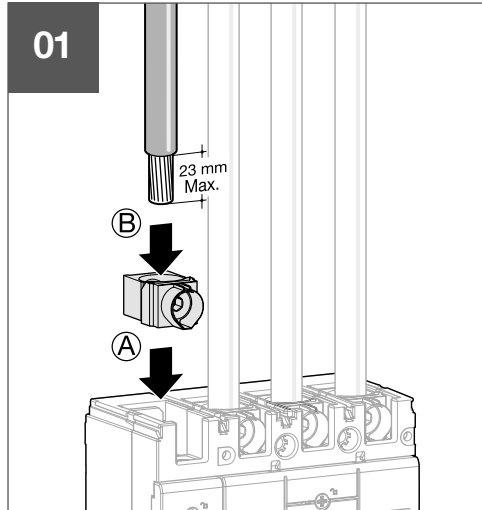
01

HYW001H 3P
HYW002H 4P

Cu
Al

	min.	max.
	400 A - 630 A	
	35 □	300 □

	35 □ → 95 □	120 □ → 300 □
	L = 28 mm x3 (x4)	L = 21 mm x3 (x4)



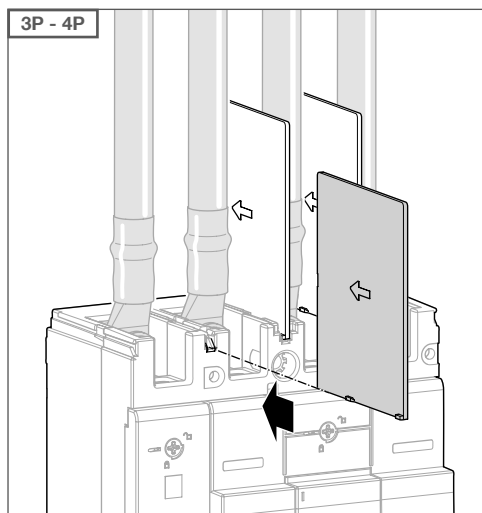
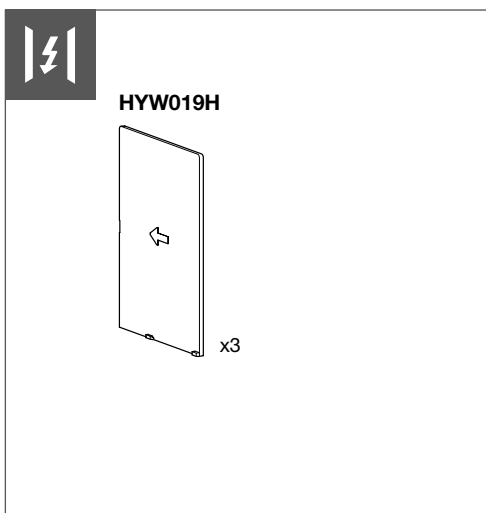
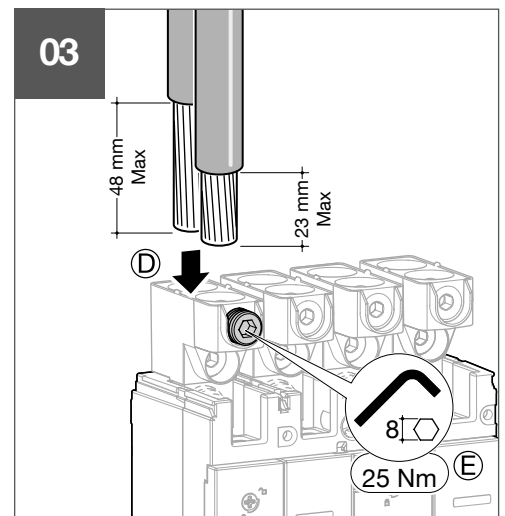
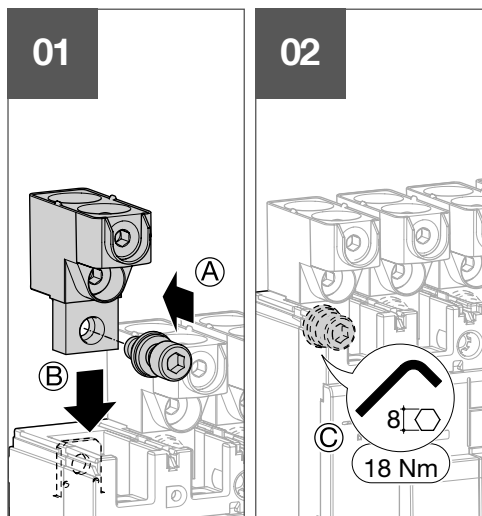
01

HYW007H 3P
HYW008H 4P

Cu
Al

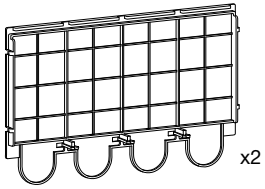
	min.	max.
	400 A - 630 A	
	35 □	300 □

	35 □ → 95 □	120 □ → 300 □
	L = 28 mm x6 (x8)	L = 21 mm x6 (x8)

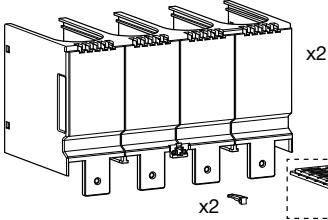




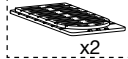
HYW050H 3P
HYW051H 4P



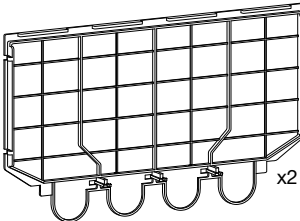
HYW021H 3P
HYW022H 4P



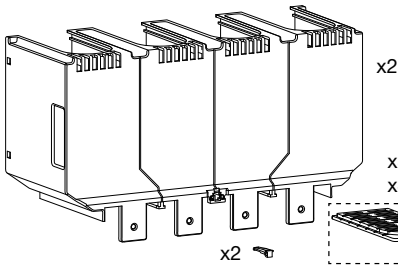
x3 (3P)
x4 (4P)



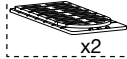
HYW052H 3P
HYW053H 4P



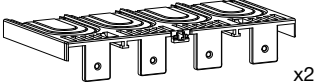
HYW023H 3P
HYW024H 4P



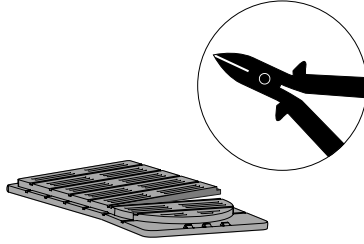
x3 (3P)
x4 (4P)



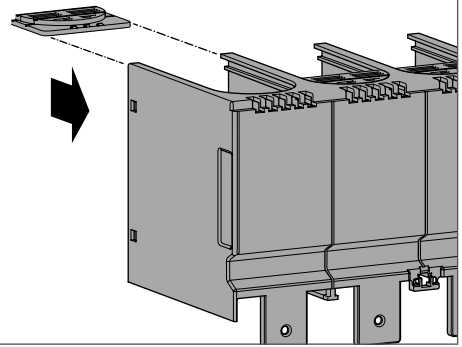
HYW025H 3P
HYW026H 4P



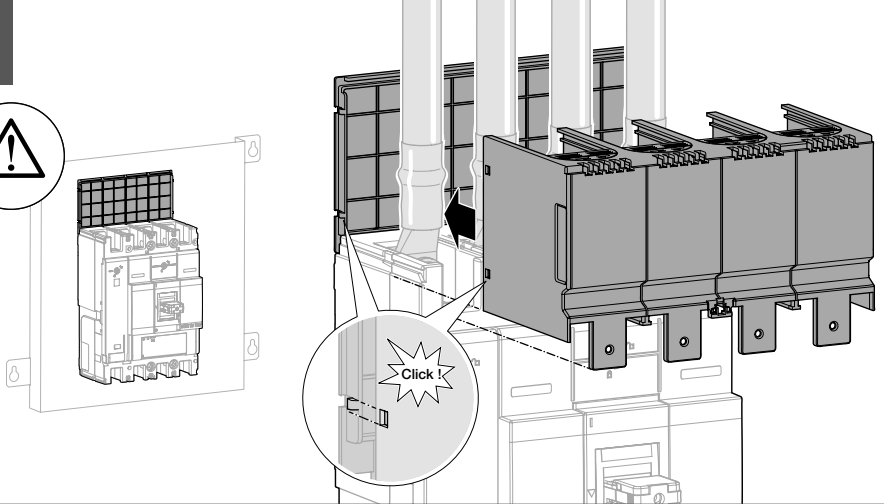
01



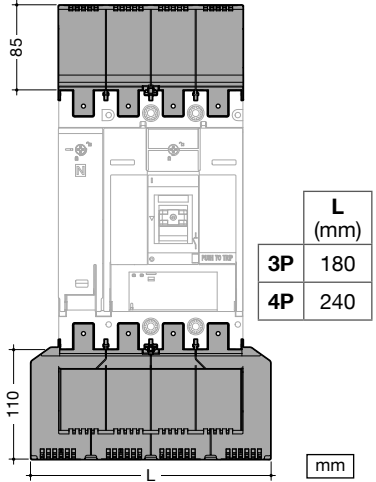
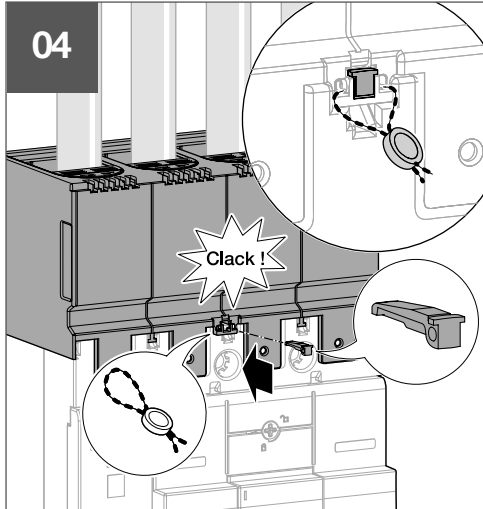
02



03



04



HXW033H

