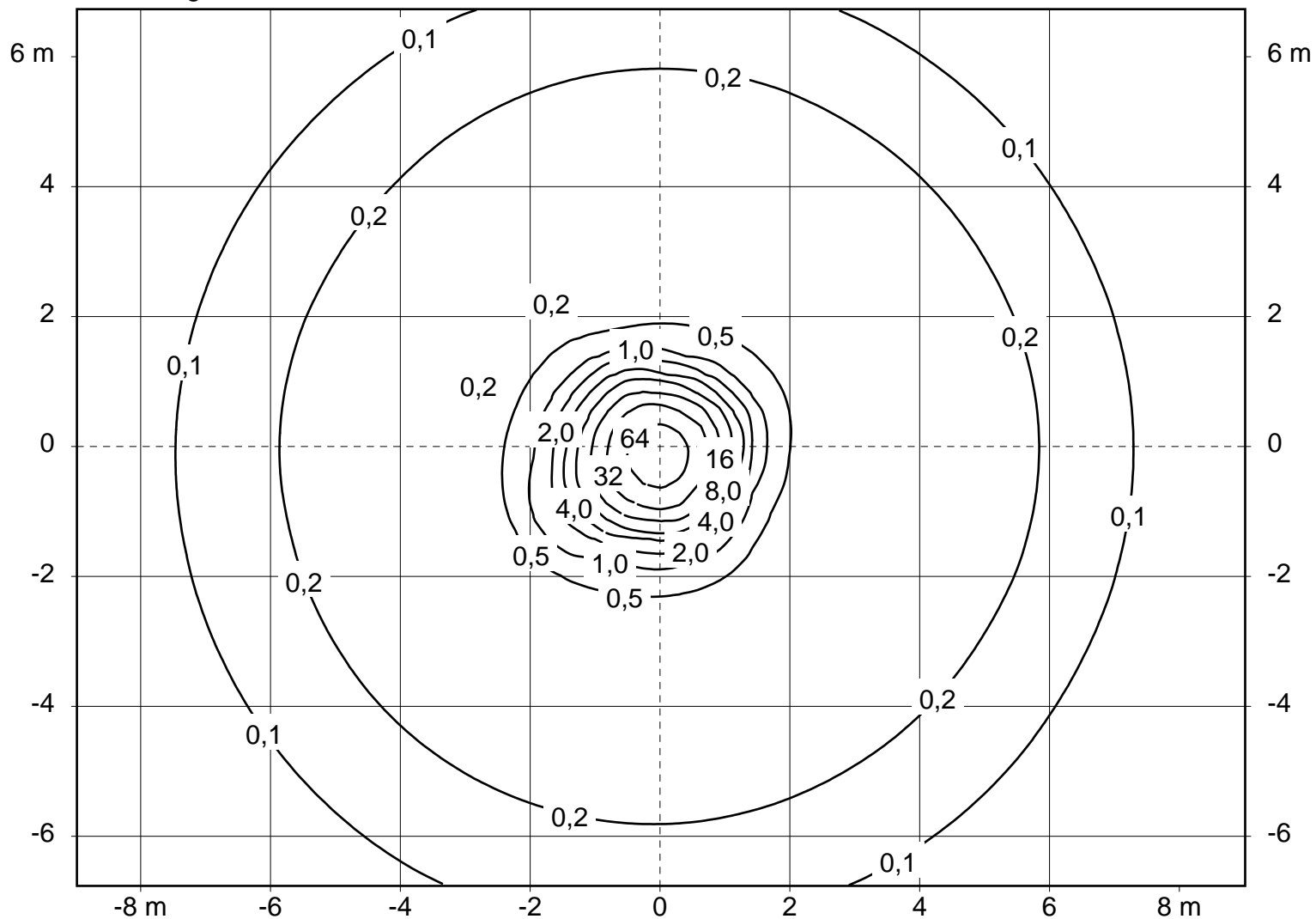


tilt angle : 0,0°  
 swivel angle : 0,0°

mounting height : 10,00 m  
 orientation : 0,0°

light loss factor : 1,0



**article code**

11147000820

**lamp(s)**

1 x LED\_SEB\_10 SUCH

total flux

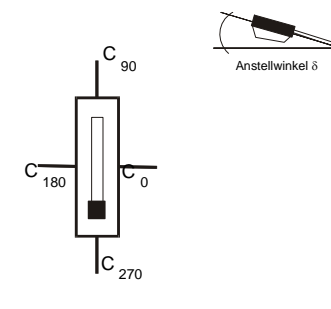
346 lm

LOR

65 %

tilt angle

0,0°



Powering Business Worldwide

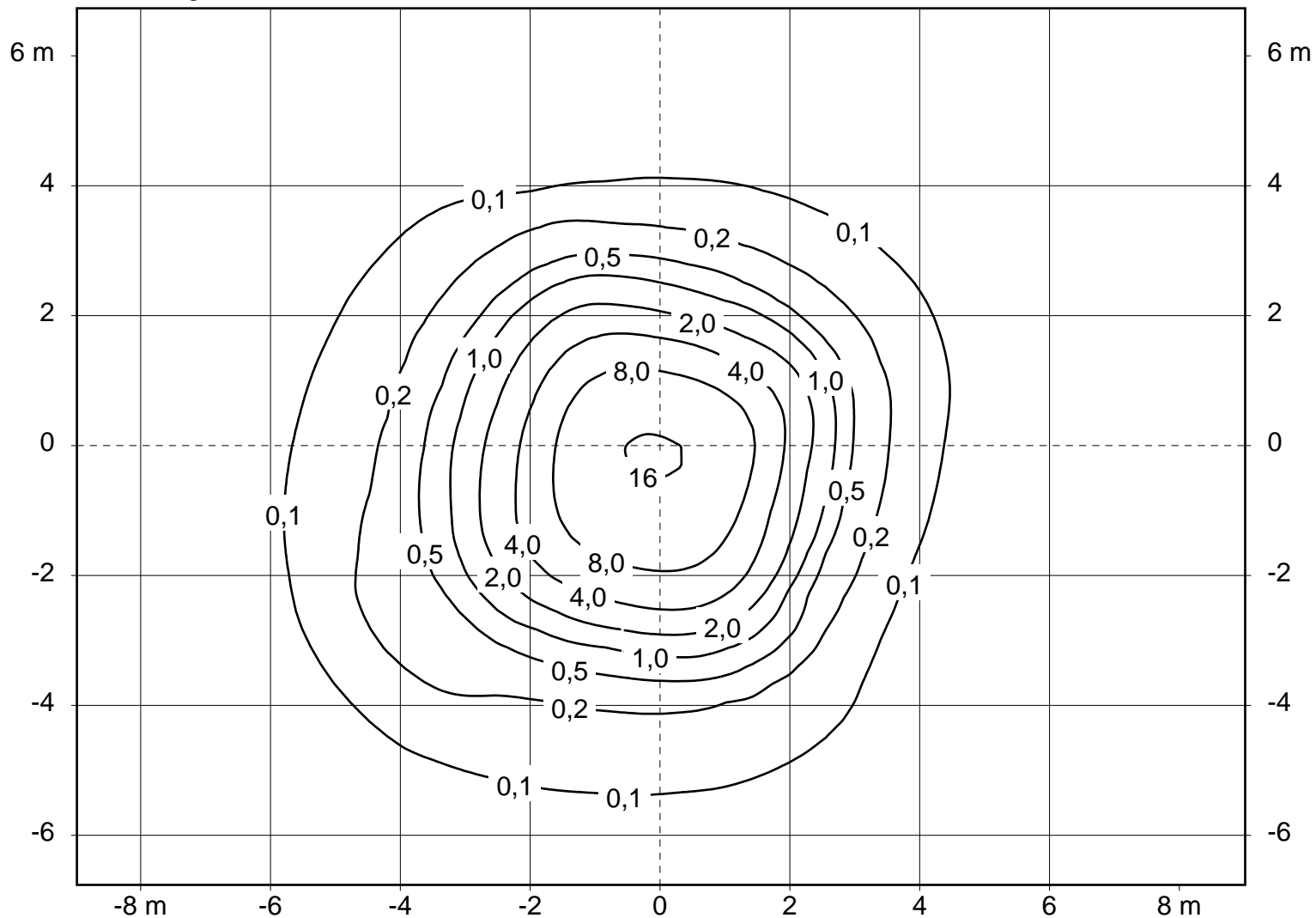
tilt angle : 0,0°

mounting height : 25,00 m

light loss factor : 1,0

swivel angle : 0,0°

orientation : 0,0°



**article code**

11147000820

**lamp(s)**

1 x LED\_SEB\_10 SUCH

total flux

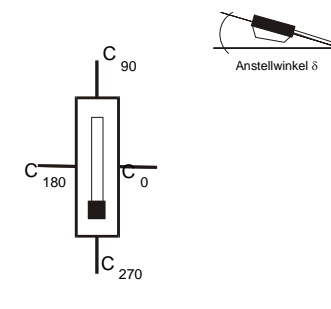
346 lm

LOR

65 %

tilt angle

0,0°



Powering Business Worldwide

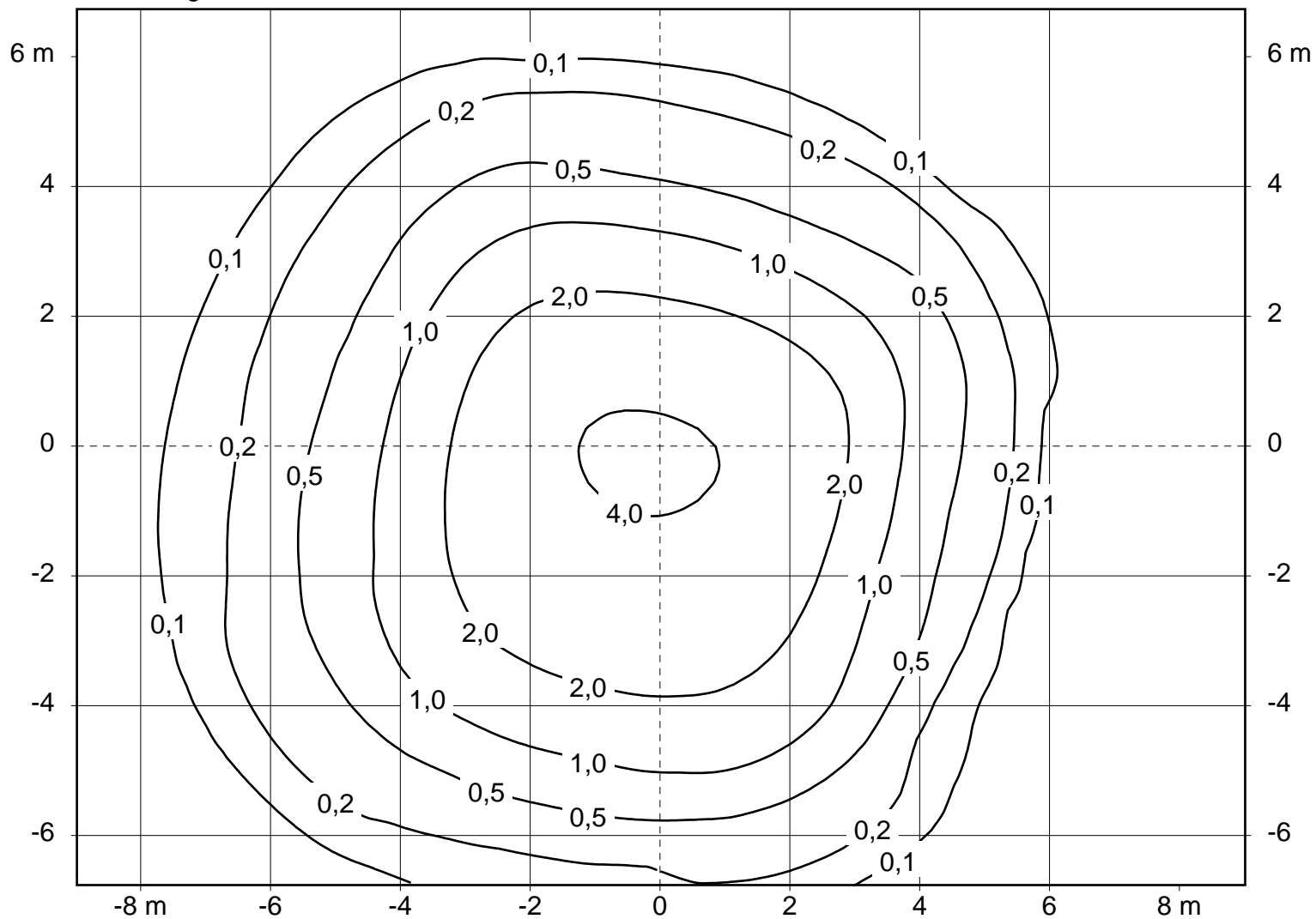
tilt angle : 0,0°

mounting height : 50,00 m

light loss factor : 1,0

swivel angle : 0,0°

orientation : 0,0°



**article code**

11147000820

**lamp(s)**

1 x LED\_SEB\_10 SUCH

total flux

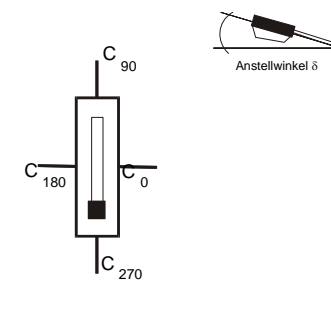
346 lm

LOR

65 %

tilt angle

0,0°



Powering Business Worldwide

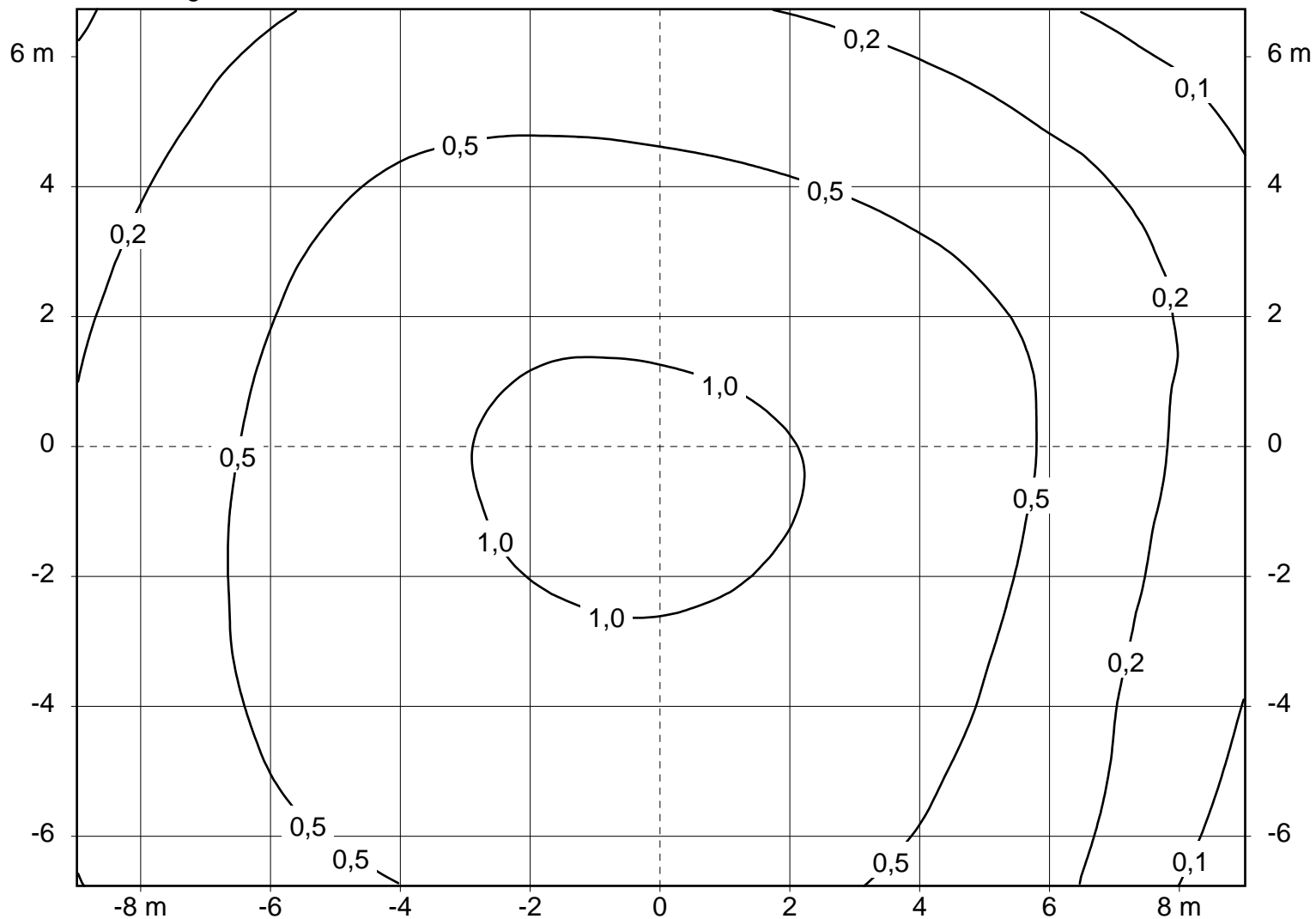
tilt angle : 0,0°

mounting height : 99,00 m

light loss factor : 1,0

swivel angle : 0,0°

orientation : 0,0°



**article code**

11147000820

**lamp(s)**

1 x LED\_SEB\_10 SUCH

total flux

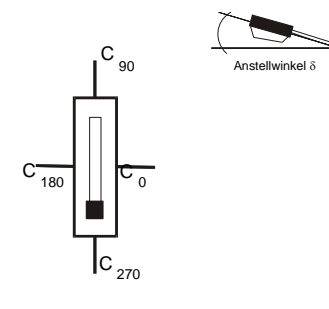
346 lm

LOR

65 %

tilt angle

0,0°



Powering Business Worldwide

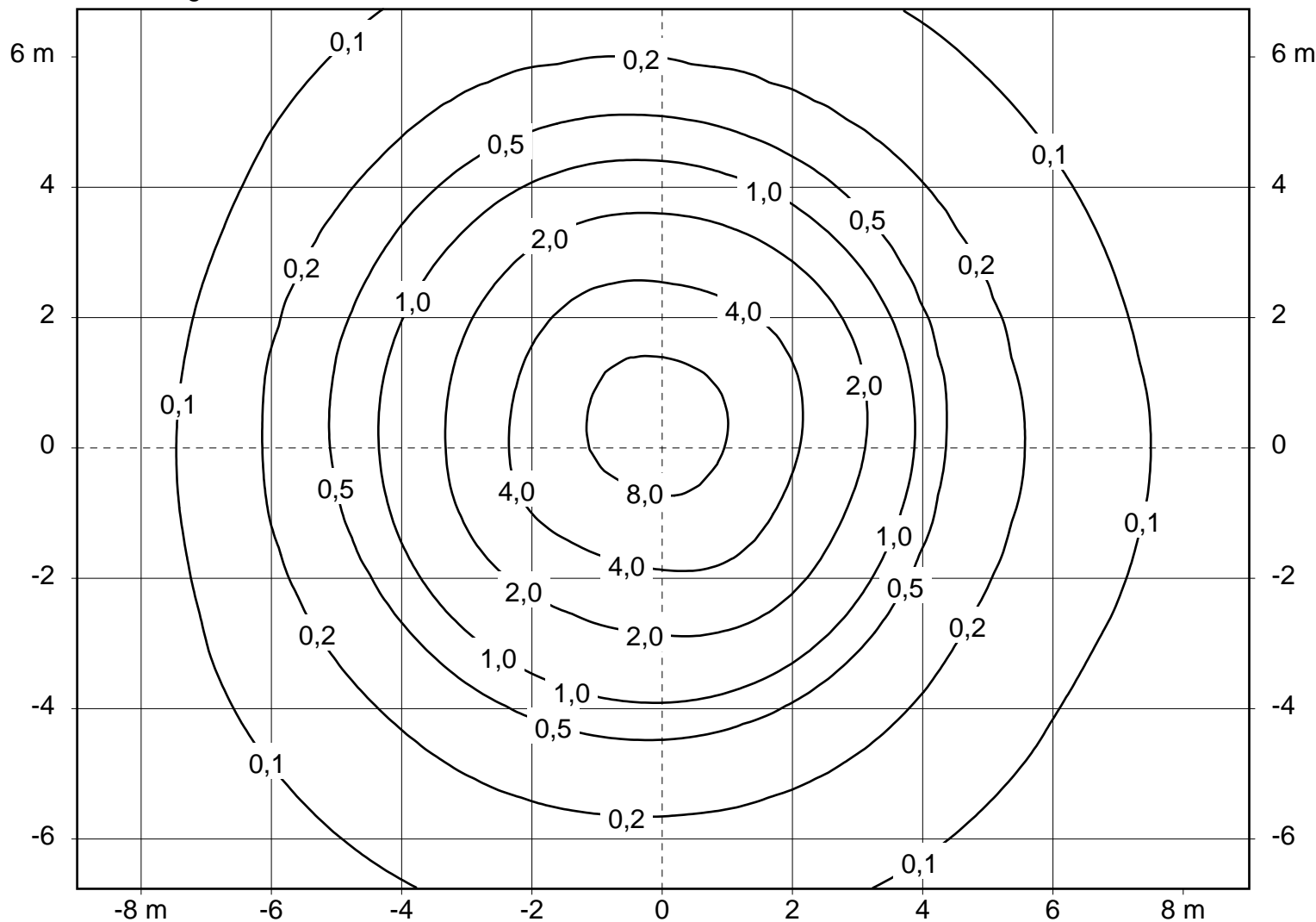
tilt angle : 0,0°

mounting height : 10,00 m

light loss factor : 1,0

swivel angle : 0,0°

orientation : 0,0°



**article code**

11147000820

**lamp(s)**

1 x led\_seb10\_Arbeit

total flux

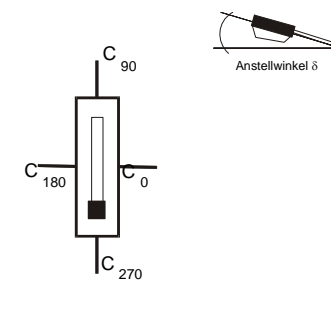
344 lm

LOR

68 %

tilt angle

0,0°



Powering Business Worldwide

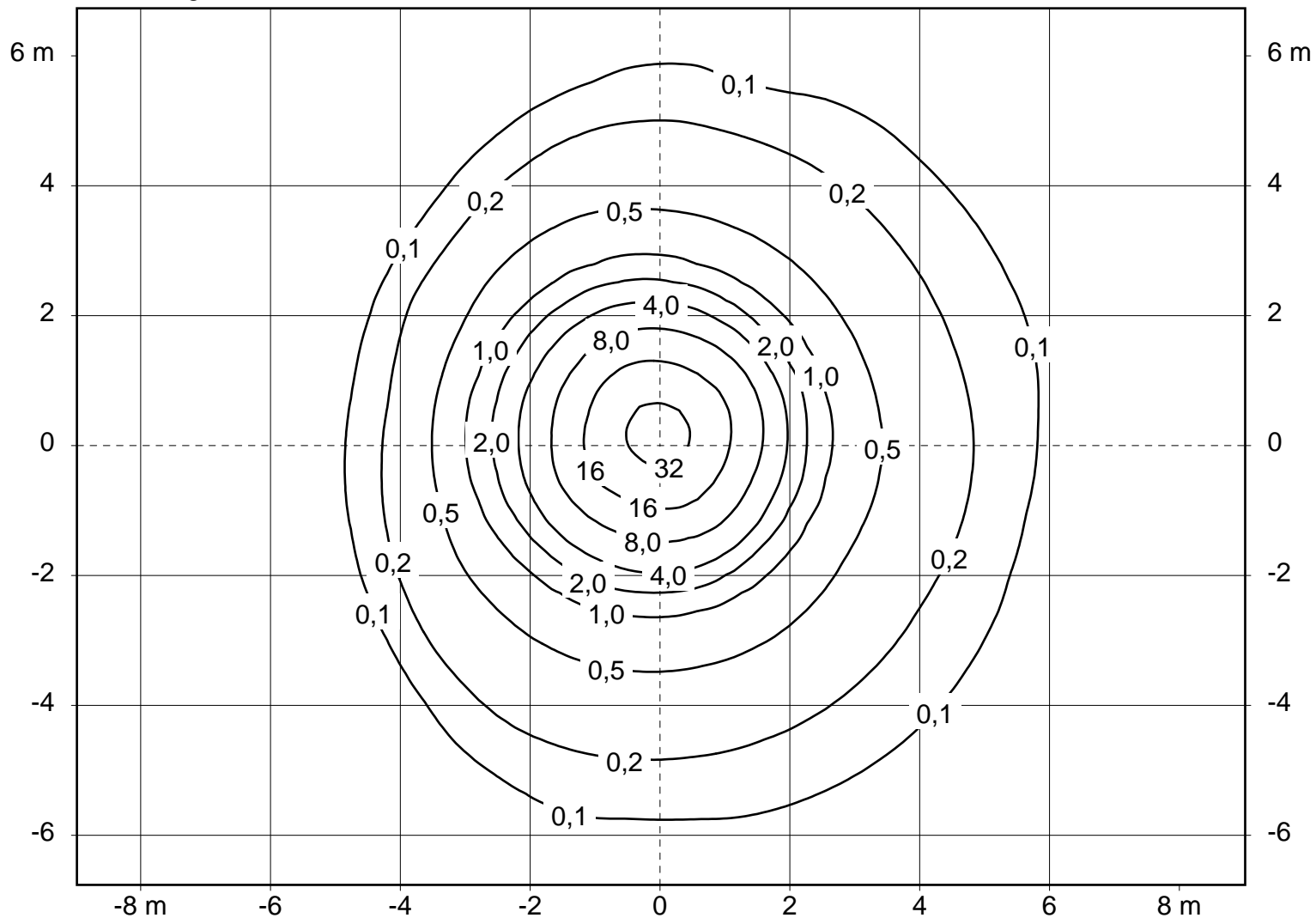
tilt angle : 0,0°

mounting height : 5,00 m

light loss factor : 1,0

swivel angle : 0,0°

orientation : 0,0°



article code

11147000820

lamp(s)

1 x led\_seb10\_Arbeit

total flux

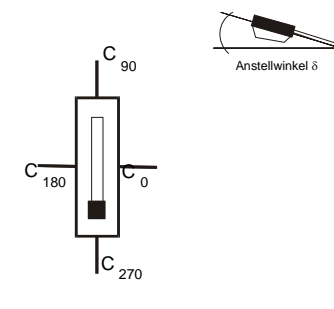
344 lm

LOR

68 %

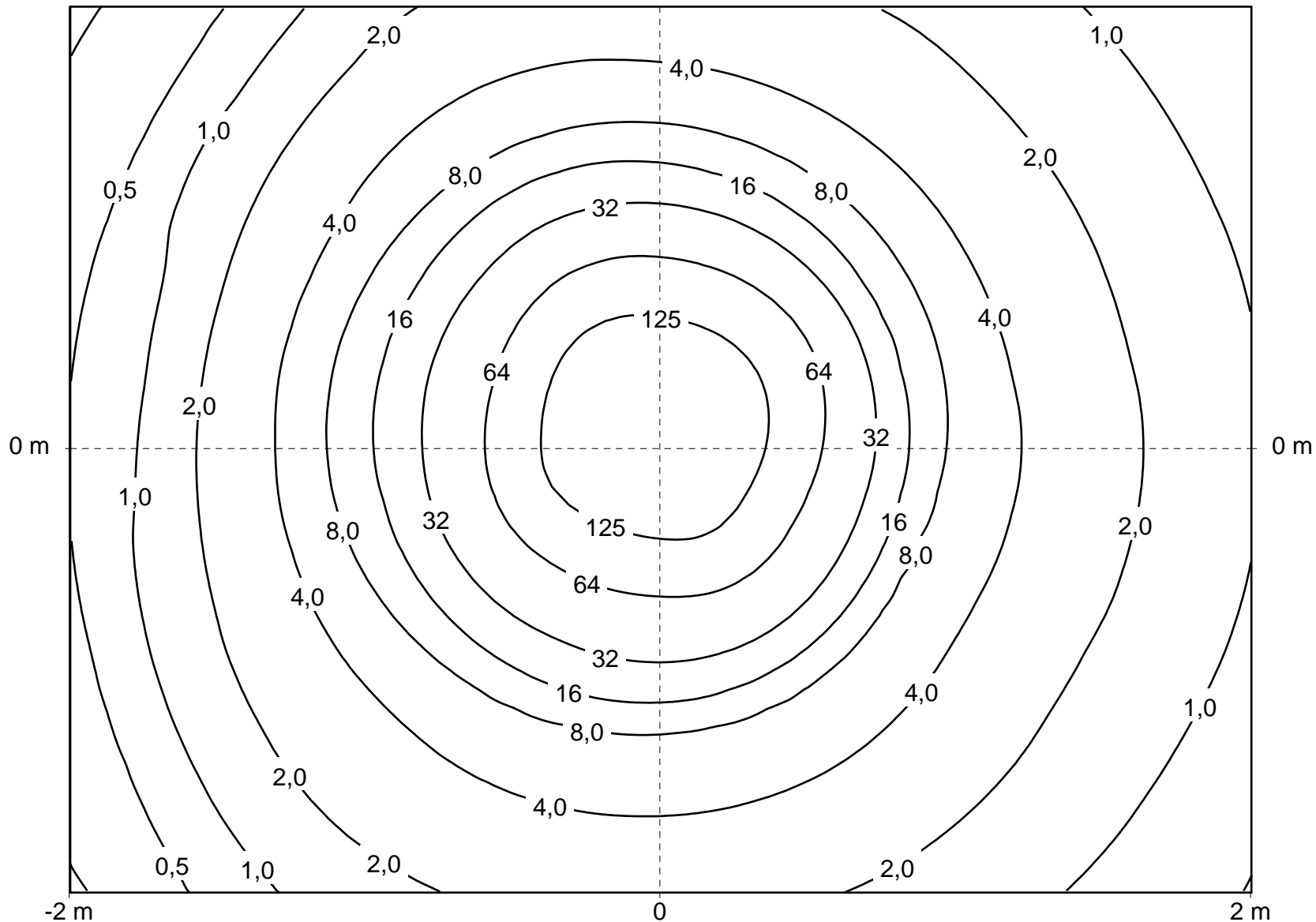
tilt angle

0,0°



Powering Business Worldwide

tilt angle : 0,0°  
 swivel angle : 0,0°  
 mounting height : 2,00 m  
 orientation : 0,0°  
 light loss factor : 1,0



**article code**  
 11147000820

**lamp(s)**  
 1 x led\_seb10\_Arbeit  
 total flux  
 344 lm  
 LOR  
 68 %  
 tilt angle  
 0,0°

