

NOTES:

RATED VOLTAGE: MAX. 63V AC/DC
 RATED CURRENT: MAX. 16A at 40°C (derating has to be considered)
 IP RATING: IP67 (mated and locked condition)
 TEMPERATURE RANGE: -25°C TO +85°C

CABLE PRINTING (sequence as shown below):

- MOLEX engineering no. (see page 2)
- MOLEX material no. (see page 2)
- MOLEX MAX. 63V AC/DC MAX. 16 A USR
- MOLEX AND DATE OF MANUFACTURING (YY=YEAR; WW=WEEK): MXYW
- Not for current interrupting
- PROFINET 24V Power 4x2,5 + FE

PART ACCORDING PRODUCT SPEC: 1205010169
 PACKAGING ACCORDING PACKAGING SPEC: 1201202000

TABLE 1

| POS | DESCRIPTION | MATERIAL | FINISH |
|------------|------------------------|----------|--------|
| 1 | NUT M12 FE | BRASS | Ni |
| 2 | CONTACT 15 MA | BRASS | Au |
| 3 | CONTACT 15 FE | BRASS | Au |
| 4 | INSERT | PA | GREY |
| 5 | OVERMOLD | TPE | BLACK |
| 6 | CABLE 5x2.5 D11.3 WSOR | PUR | GREY |
| 7 | GASKET OR 8.2X1.25 | FKM | BLACK |
| OPTIONAL 8 | ID-CARRIER | - | - |

| | | | | |
|--|---|----------------------------|--|--|
| FUNCTIONAL SYMBOLS ▽A = 0 ▽E = 0 ▽Z = 0 | THIS DRAWING CONTAINS INFORMATION THAT IS PROPRIETARY TO MOLEX ELECTRONIC TECHNOLOGIES, LLC AND SHOULD NOT BE USED WITHOUT WRITTEN PERMISSION | | CSE M12 5P LC FE STR WSOR GY XM UNSH | |
| | FUNCTIONAL DIMENSION UNITS | SCALE | | |
| | mm | 2:1 | EC NO: 735577 | |
| | GENERAL TOLERANCES (UNLESS SPECIFIED) | | DRWN: MARUTD 2023/01/12 | |
| ANGULAR TOL ± 1.0° | | CHK'D: RSILLER 2023/01/19 | | |
| 4 PLACES ± | | APPR: RSILLER 2023/01/19 | | |
| 3 PLACES ± | | INITIAL REVISION: | | |
| 2 PLACES ± 0.05 | | DRWN: FDAFERNER 2020/01/24 | | |
| 1 PLACE ± 0.3 | | APPR: RSILLER 2021/03/15 | | |
| 0 PLACES ± 0.5 | | DOCUMENT NUMBER | | |
| DRAFT WHERE APPLICABLE MUST REMAIN WITHIN DIMENSIONS | | 1205000200 | | |
| THIRD ANGLE PROJECTION | | DOC TYPE DOC PART REVISION | | |
| DRAWING | | PSD 000 A1 | | |
| A3-SIZE | | MATERIAL NUMBER | | |
| 120500 | | CUSTOMER | | |
| SEE TABLE 2 | | GENERAL MARKET | | |
| | | SHEET NUMBER | | |
| | | 1 OF 2 | | |

ENGINEERING NO - NUMERICAL CODE (Available parts see PART LIST table. Other parts available upon request).

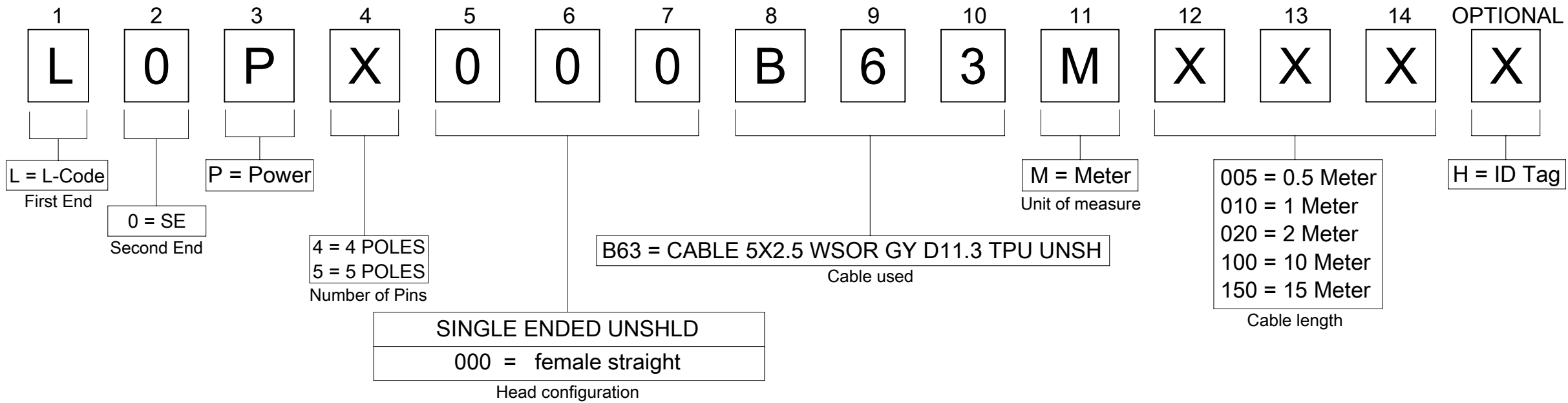


TABLE 2

| NOMINAL SECTION 2,5mm ² | | | |
|------------------------------------|-----------------|--------|----------------|
| MATERIAL NO. | ENGINEERING NO. | L [mm] | TOLERANCE [mm] |
| 1205000200 | L0P5000B63M010 | 1000 | +40 |
| 1205000201 | L0P5000B63M020 | 2000 | +60 |
| 1205000202 | L0P5000B63M030 | 3000 | +60 |
| 1205000203 | L0P5000B63M050 | 5000 | +60 |
| 1205000204 | L0P5000B63M100 | 10000 | +80 |
| 1205000205 | L0P5000B63M150 | 15000 | +140 |
| 1205000206 | L0P5000B63M200 | 20000 | +140 |

| | | | |
|---|---|---|--|
| FUNCTIONAL SYMBOLS | THIS DRAWING CONTAINS INFORMATION THAT IS PROPRIETARY TO MOLEX ELECTRONIC TECHNOLOGIES, LLC AND SHOULD NOT BE USED WITHOUT WRITTEN PERMISSION | | molex |
| | DIMENSION UNITS: mm SCALE: 1:1 | CURRENT REV DESC: UPDATED ATTRIBUTE TO GENERAL MARKET IN ECTR | |
| DIVISIONAL SYMBOLS | GENERAL TOLERANCES (UNLESS SPECIFIED) ANGULAR TOL ± 1.0° | | CSE M12 5P LC FE STR WSOR GY XM UNSH |
| | EC NO: 735577 DRWN: MARUTD 2023/01/12 CHK'D: RSILLER 2023/01/19 APPR: RSILLER 2023/01/19 | | |
| INITIAL REVISION: DRWN: FDAFERNER 2020/01/24 APPR: RSILLER 2021/03/15 | | | PRODUCT CUSTOMER DRAWING |
| DRAFT WHERE APPLICABLE MUST REMAIN WITHIN DIMENSIONS | | THIRD ANGLE PROJECTION | DRAWING: A3-SIZE SERIES: 120500 |
| DOCUMENT STATUS: P1 RELEASE DATE: 2023/01/19 11:13:08 | | MATERIAL NUMBER: 1205000200 CUSTOMER: GENERAL MARKET | DOC TYPE: PSD DOC PART: 000 REVISION: A1 SHEET NUMBER: 2 OF 2 |