

Part number

# CYG 8 JF



Female RJ45 connector, CYG couplers series, size "21.21", in insulating enclosure, 8 data contacts

Product description	
<b>Product type</b>	Data connector
<b>Series</b>	CYG couplers
<b>Connection type</b>	RJ45
<b>Gender</b>	Female
<b>Size</b>	Size "21.21"
<b>Specification</b>	In insulating enclosure 8 data contacts, Cat.5 Ethernet
Further technical details	
<b>Weight</b>	50,00 g
<b>Operating temperature range (min, max)</b>	-40°C ... +120°C

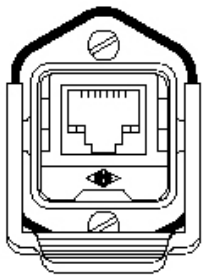
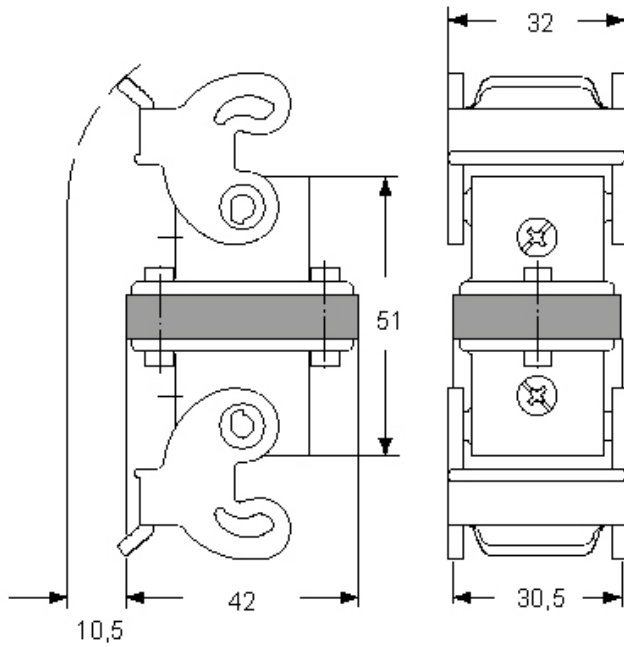
Material properties	
<b>Colour</b>	RAL 9005 black
<b>RoHs conformity</b>	Compliant with exemption 6(c): copper alloy containing up to 4% lead by weight
<b>China RoHs - EFUP</b>	50
<b>REACH SVHC substances</b>	Yes Lead
<b>SCIP number</b>	75d1c3f4-d971-425a-bdda-7a317d67dedb
General ordering information	
<b>EAN13 code</b>	8015747170369
<b>eCl@ss 8.1</b>	19170125
<b>ETIM 7.0</b>	EC002636
Packaging Information	
<b>Sub-packaging weight</b>	0,05 kg
<b>Sub-packaging description</b>	Plastic bag
<b>Sub-packaging quantity</b>	1 Pcs
<b>Sub-packaging EAN barcode</b>	8015747170406

Part number

# CYG 8 JF



Catalogue drawings



---

## Notes

Dimensions shown in mm are not binding and may be changed without notice.

---