



Signal beacons
Ø62mm/2.44"
8LB6S

Product designation

Product type designation

General characteristics

Diameter	mm - inch	62 / 2.44
Supply voltage (AC)	V	24
Supply voltage (DC)	V	24
Colour		White
IEC degree of protection		IP54
Sound module consumption (AC)	mA	150
Sound module consumption (DC)	mA	150
Sound intensity	dB	80

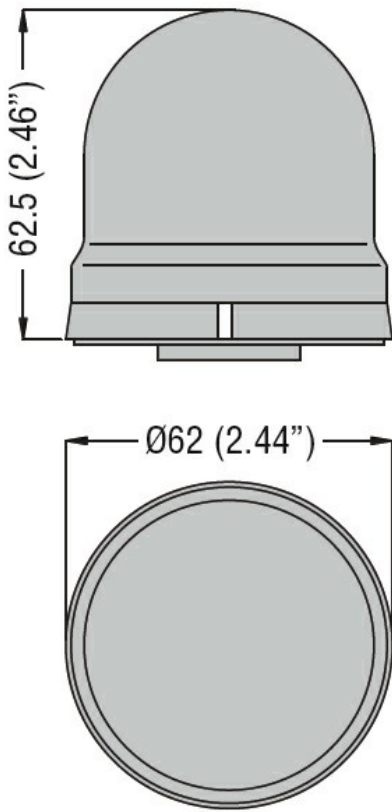
Mechanical features

Tightening torque for terminals max	Nm	0.5
Terminals screw		Screw clamp terminals
Conductor section		
AWG/Kcmil	max	16
IEC	max	mm ² 1.5
Weight	g	60

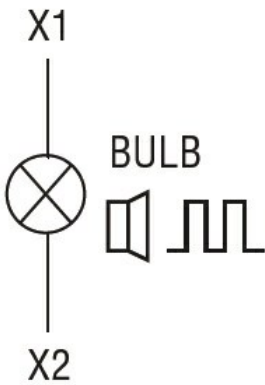
Ambient conditions

Temperature			
Operating temperature	min	°C	-20
	max	°C	+50

Dimensions



Wiring diagrams



Certifications and compliance

Compliance

IEC/EN 60947-1
 IEC/EN 60947-5-1

Certificates

EAC

ETIM classification

ETIM 8.0

EC000232 -
 Optical module
 for signal tower