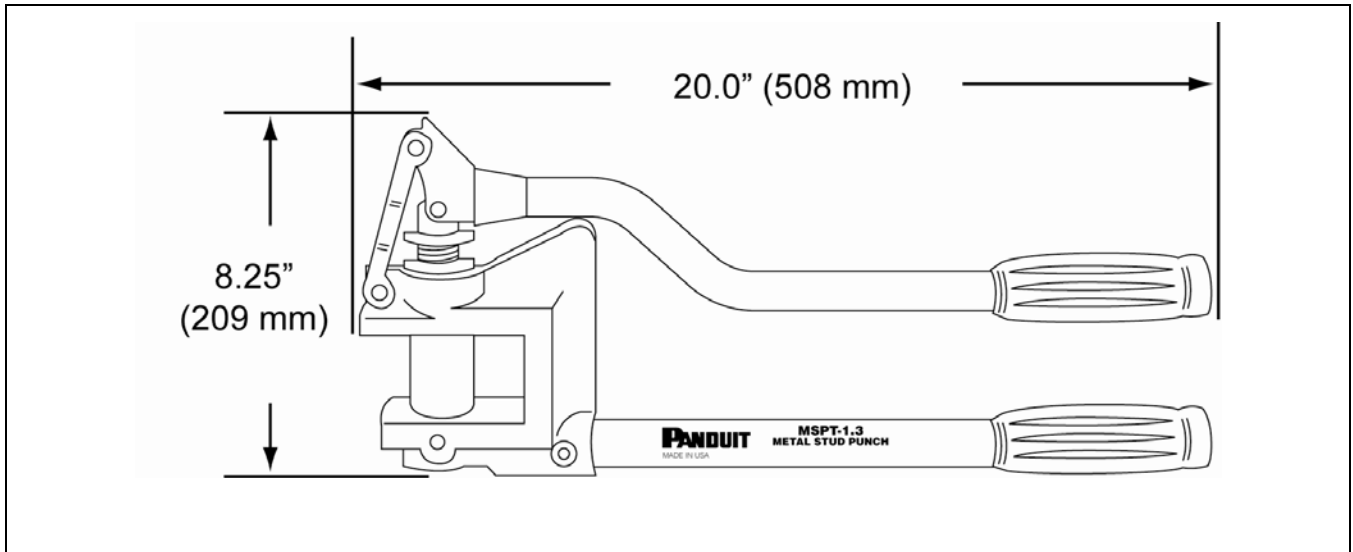


<b>TOOL SPECIFICATIONS</b> .....	1
Safety .....	1
<b>PRECAUTIONS AND GENERAL GUIDELINES</b> .....	2
<b>TOOL OPERATION</b> .....	3
Bushings.....	3
<b>MAINTENANCE</b> .....	3
<b>SPARE PARTS LISTING</b> .....	5



The Panduit MSPT-1.3 Stud Punch tool punches a 34.1 mm (1-11/32") round hole in 25 GA. min. to 20 GA max. mild steel studs.

## **TOOL SPECIFICATIONS**



7.0 lbs. (3.2 kg)



**NOTE:** In the interest of higher quality and value, Panduit products are continually being improved and updated. Consequently, pictures may vary from the enclosed product.

## **Safety**

Safety is essential in the use and maintenance of Panduit tools and equipment. This manual and any markings on the tool provide information for avoiding hazards and unsafe practices related to the use of this tool. Observe all of the safety information provided.



**PRECAUTIONS AND GENERAL GUIDELINES**

	This symbol is used to call your attention to hazards or unsafe practices which could result in an injury or property damage. The signal word, defined below, indicates the severity of the hazard. The message after the signal word provides information for preventing or avoiding the hazard.	
	<b>WARNING</b>	Hazards which, if not avoided, <b>COULD</b> result in severe injury or death.
	<b>CAUTION</b>	Hazards or unsafe practices which, if not avoided, <b>MAY</b> result in injury or property damage.

	<b>WARNING</b>
	Read and understand all of the instructions and safety information in this manual before operating or servicing this tool.
	<b>WARNING</b>
	Wear eye protection when operating or servicing this tool. Failure to wear eye protection can result in serious eye injury from flying debris.
	<b>WARNING</b>
	Electric Shock Hazard: This tool is not insulated. When using this unit on or near energized electrical lines, use proper personal protective equipment.

	<b>CAUTION</b>
Inspect the tool prior to use. Replace worn, damaged or missing components with replacement parts. A damaged or improperly assembled tool may break. Use this tool for manufacturer's intended use only. Use other than that which is described in this manual may result in injury or damage to the tool.	

	<b>CAUTION</b>
Do not add extensions (cheaters) to the handles. Using excessive force may result in injury or damage to the tool. If excessive force is required to complete a punch, verify that the type and thickness of material do not exceed the capacity of the tool.	

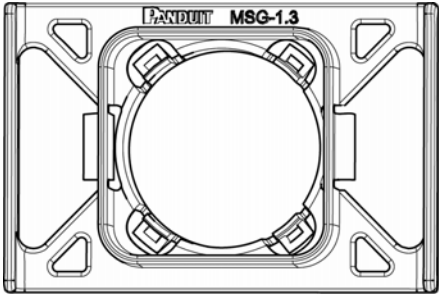
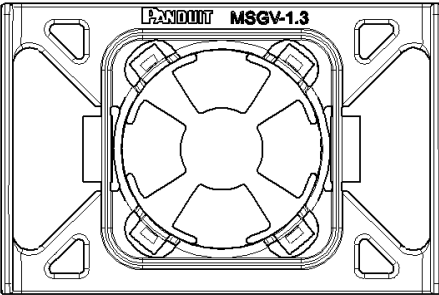
	<b>IMPORTANT INFORMATION</b>
Do not use on heavier than 20 gauge mild steel.	

**TOOL OPERATION**

Position the punch on the metal stud. Squeeze the handles together. The slug will fall free when the hole is complete.

**Bushings**

Bushings are available for the holes punched by the MSPT-1.3 tool. Bushings protect wire insulation from the sharp edges of the metal stud. Complies with NEC Article 300-4(b)(1).

	Panduit Part No.	Description	Qty.
 <p><b>Fig. A</b></p>	MSG-1.3-C	Metal Stud Grommet for 1-11/32" hole <i>(see Fig. A)</i>	100 pc. Pack
	MSG-1.3-M		1,000 pc. Pack
 <p><b>Fig. B</b></p>	MSGV-1.3-C	Metal Stud Grommet for 1-11/32" hole (Anti-vibration; for ½" to 1" pipe) <i>(see Fig. B)</i>	100 pc. Pack
	MSGV-1.3-M		1,000 pc. Pack

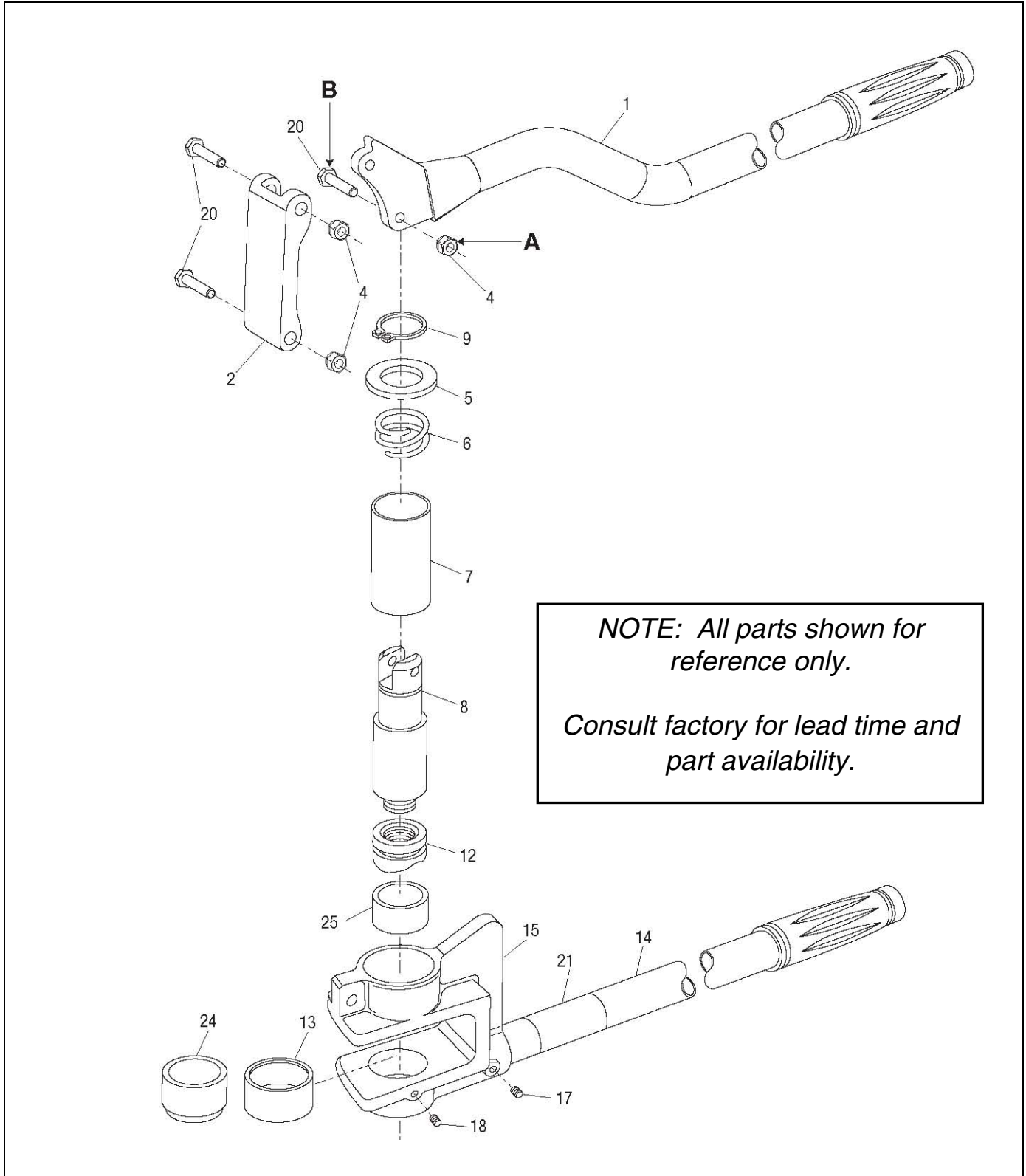
**MAINTENANCE**

Lubricate all moving parts with light weight oil.

To replace the punch, refer to the illustration on the next page, and follow this procedure:

1. Remove the locknut (A) from the pivot bolt (B),  
and then remove the pivot bolt from the punch holder (8).
2. Remove the entire punch holder shaft and sleeve from the C-frame.
3. Depress the sleeve and unscrew the punch from the punch holder.

**MSPT-1.3 ILLUSTRATION**



*NOTE: All parts shown for reference only.  
Consult factory for lead time and part availability.*



<b>MSPT-1.3 STUD PUNCH SPARE PARTS LISTING</b>			
<u>KEY</u>	<u>PART #</u>	<u>DESCRIPTION</u>	<u>QUANTITY</u>
	50212850	Stud punch complete	
1	52027489	Lever unit	1
2		Link (see below for service parts)	1
4		Locknuts	3
5	50213032	Washer, flat .968 x 1.62 x .062	1
6	50215574	Spring, compression	1
9	90513614	Retaining ring, .865; Truarc #5100-93-S-PP	1
12	50248235	Punch, conduit	1
13	50212974	Die	1
14	52027490	Handle, green	1
15		C-Frame unit	1
17	90507649	Screw, set, 1/4–20 x .375 socket w/locking patch	1
18	90506170	Screw, set, 1/4–20 x .250 socket w/locking patch	1
20		Bolts, pivot, 1/4 x 20	3
25	50213016	Bushing	1
<b>MSPT-1.3 STUD PUNCH REPAIR KITS LISTING</b>			
	50060155	Pin kit (includes items 4 and 20)	
	50059327	Link kit (includes items 2, 4 and 20)	
**	52026022	Sliding mechanism service kit (includes items 7 and 8)	
** Use one flat washer (50213032), as shown in the illustration, when replacing the punch holders.			

***For ordering parts, call 1-888-506-5400, ext. 3226.***