

Part number

CQS 08 VA



Hood, EMC series, with 2 pegs, Pg16 side cable entry, size "32.13"

Product description

Product type	Hood
Series	EMC
Closing type	With 2 pegs
Size	Size "32.13"
Cable entry	Side cable entry Pg16

Technical data

IP degree of protection IP65 / IP66 / IP69

Further technical details

Weight	28,00 g
Operating temperature range (min, max)	-40°C...+125°C

Material properties

RoHs conformity	Compliant
China RoHs - EFUP	E
REACH SVHC substances	No

Approvals / Standards

Certifications	DNV, BV
UL	ECBT2
cUL	ECBT8

General ordering information

EAN13 code 8015747095143

Packaging Information

Sub-packaging weight	0,03 kg
Sub-packaging description	Plastic bag
Sub-packaging quantity	1 Pcs
Sub-packaging EAN barcode	8015747103596

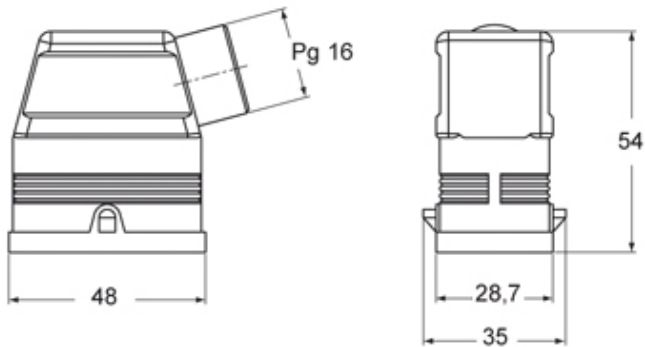
Part number

CQS 08 VA

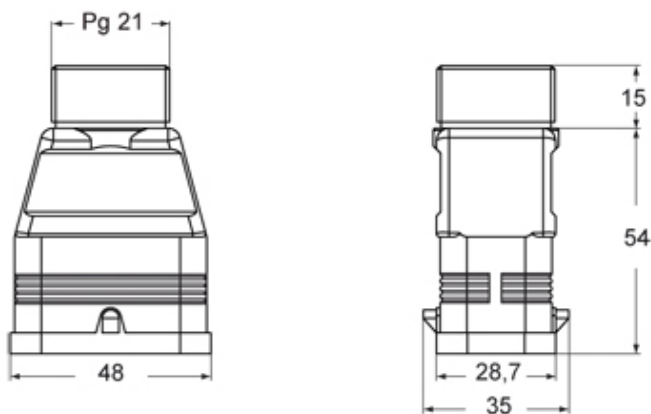


Catalogue drawings

CQS VA



CQS V



Notes

CQS enclosures:

- metallized thermoplastic enclosures
- when using EMC CQS 08 series enclosures, please remove the gasket from the male insert and replace it with the CR 08 EMC conductive gasket
- CQ 08 IAP/V/VG version with Pg male thread on outside of enclosure

Dimensions shown in mm are not binding and may be changed without notice.