

Part number

# CHIW 50



Bulkhead mounting housing, W-TYPE series, with 2 levers, size "66.40"

## Product description

<b>Product type</b>	Bulkhead mounting housing
<b>Series</b>	W-TYPE
<b>Closing type</b>	With 2 levers
<b>Size</b>	Size "66.40"
<b>Cable entry</b>	Without cable entry

## Technical data

<b>IP degree of protection</b>	IP67
--------------------------------	------

## Further technical details

<b>Weight</b>	204,00 g
<b>Operating temperature range (min, max)</b>	-40°C...+125°C

## Material properties

<b>Other materials</b>	Lever: Stainless steel, polyamide (PA)
<b>Colour</b>	RAL 9005 black
<b>RoHS conformity</b>	Compliant
<b>China RoHS - EFUP</b>	E
<b>REACH SVHC substances</b>	No

## Approvals / Standards

<b>Certifications</b>	DNV, BV
<b>UL</b>	ECBT2
<b>cUL</b>	ECBT8

## General ordering information

<b>EAN13 code</b>	8015747019583
<b>eCl@ss 8.1</b>	27440202
<b>ETIM 7.0</b>	EC000437

## Packaging Information

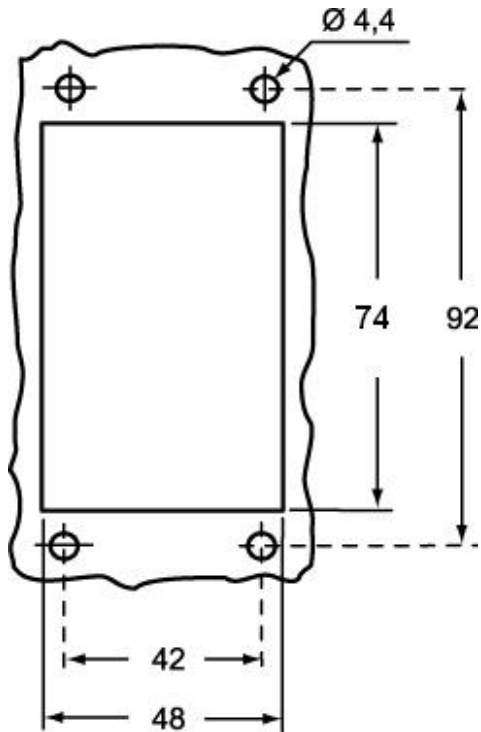
<b>Packaging length</b>	160,00 mm
<b>Packaging height</b>	130,00 mm
<b>Packaging width</b>	270,00 mm
<b>Packaging weight</b>	2,39 kg
<b>Packaging volume</b>	5,62 dm <sup>3</sup>
<b>Packaging description</b>	Carton box
<b>Packaging quantity</b>	10 Pcs
<b>Packaging EAN code</b>	8015747258999

Part number

# CHIW 50

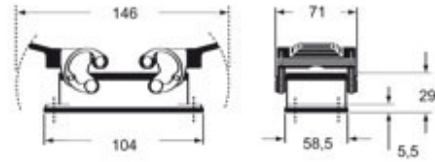


Catalogue drawings

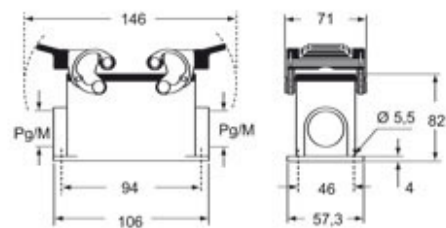


Catalogue drawings

CHIW



CHPW MHPW



CHCW



## Notes

Dimensions shown in mm are not binding and may be changed without notice.