

Part number

TM 16220 T1



Socket-outlet with safety transformer, TM series, 2 poles, 16 A, 24 V, 230/24 V transformer, with base box

Product description

Product type	Socket-outlet with safety transformer
Series	TM..T1
N. of poles	2 poles
Clock position	No key way
Size	115 x 450 x 18 mm
Specification	230/24 V transformer With base box

Technical data

Current	16 A
Voltage	24 V
IP degree of protection	IP66 / IP67

Further technical details

Weight	2.350,00 g
Operating temperature range (min, max)	-25°C ... +40°C
UL 94 flammability rating	V-2
IK rating (impact degree of protection)	IK10

Material properties

Colour	RAL 7012 grey
RoHs conformity	Compliant with exemption 6(c): copper alloy containing up to 4% lead by weight
China RoHs - EFUP	50
REACH SVHC substances	Yes Lead
SCIP number	8e89f7de-4d73-4bfd-b5c1-5e57c8f79fed

Approvals / Standards

Reference standard	EN 60309-1, -2 e -4
---------------------------	---------------------

General ordering information

EAN13 code	8015747089517
-------------------	---------------

Packaging Information

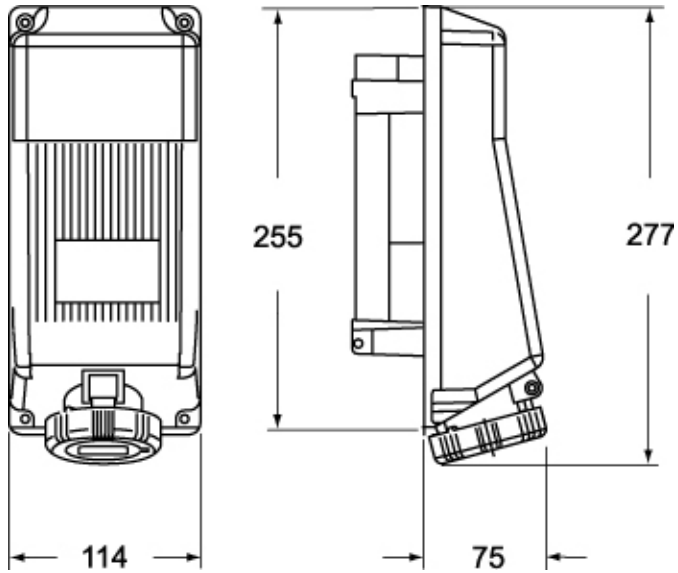
Packaging length	250,00 mm
Packaging height	145,00 mm
Packaging width	300,00 mm
Packaging weight	4,70 kg
Packaging volume	10,88 dm ³
Packaging description	Carton box
Packaging quantity	2 Pcs
Packaging EAN code	8015747122597
Sub-packaging weight	2,35 kg
Sub-packaging description	Plastic packaging
Sub-packaging quantity	1 Pcs
Sub-packaging EAN barcode	8015747089524

Part number

TM 16220 T1



Catalogue drawings



Notes

Dimensions shown in mm are not binding and may be changed without notice.
