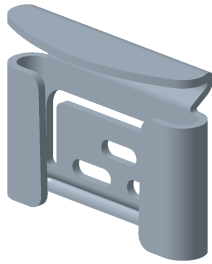
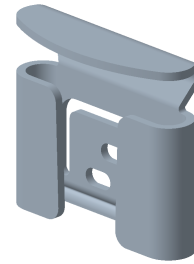
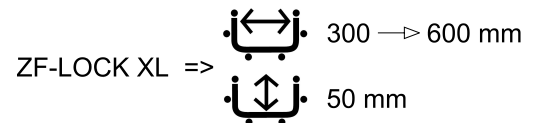
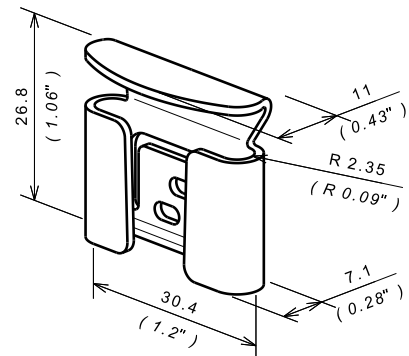
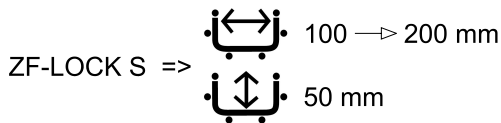
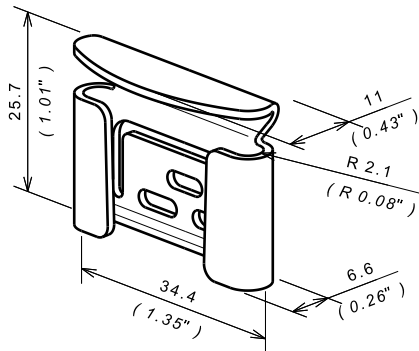


ZF-LOCK

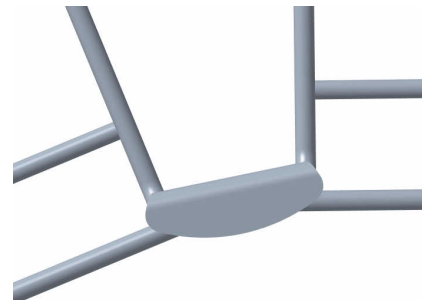
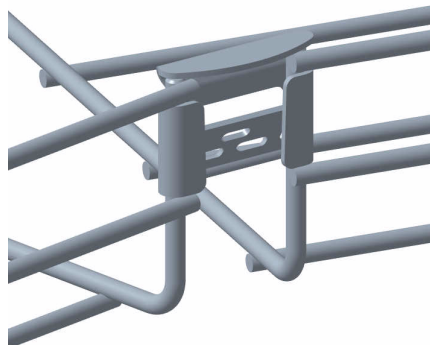
Reference(s) : 348 528/537/540/590/597/598


ZF-LOCK S

ZF-LOCK XL
1. GAMME / RANGE

Designation	Code	Ep. / Th. (mm) / (Inch)		Poids / Weight (Kg) / (lb)		Matière / Material	Norme / Standard	Finition / Coating	Classe de résistance contre la corrosion / Resistance class against corrosion
ZF-LOCK S GS	348 540	1.20	0.05	0.013	0.028	DX51 D Z275	EN 10346	GS / PG	Classe 3 - CEI 61537 / Class 3 - IEC 61537
ZF-LOCK XL GS	348 590	1.20	0.05	0.013	0.028	DX51 D Z275	EN 10346	GS / PG	Classe 3 - CEI 61537 / Class 3 - IEC 61537
ZF-LOCK S ZnMg	348 537	1.20	0.05	0.014	0.030	DX51 D ZM	EN 10346	ZnMg	Classe 8 - CEI 61537 / Class 8 - IEC 61537
ZF-LOCK XL ZnMg	348 597	1.20	0.05	0.014	0.030	DX51 D ZM	EN 10346	ZnMg	Classe 8 - CEI 61537 / Class 8 - IEC 61537
ZF-LOCK S 304L	348 528	1.20	0.05	0.013	0.029	X2 Cr Ni 18-9	EN 10 088-2	IN304L / SS304L	Classe 9C - CEI 61537 / Class 9C - IEC 61537
ZF-LOCK XL 304L	348 598	1.20	0.05	0.013	0.029	X2 Cr Ni 18-9	EN 10 088-2	IN304L / SS304L	Classe 9C - CEI 61537 / Class 9C - IEC 61537

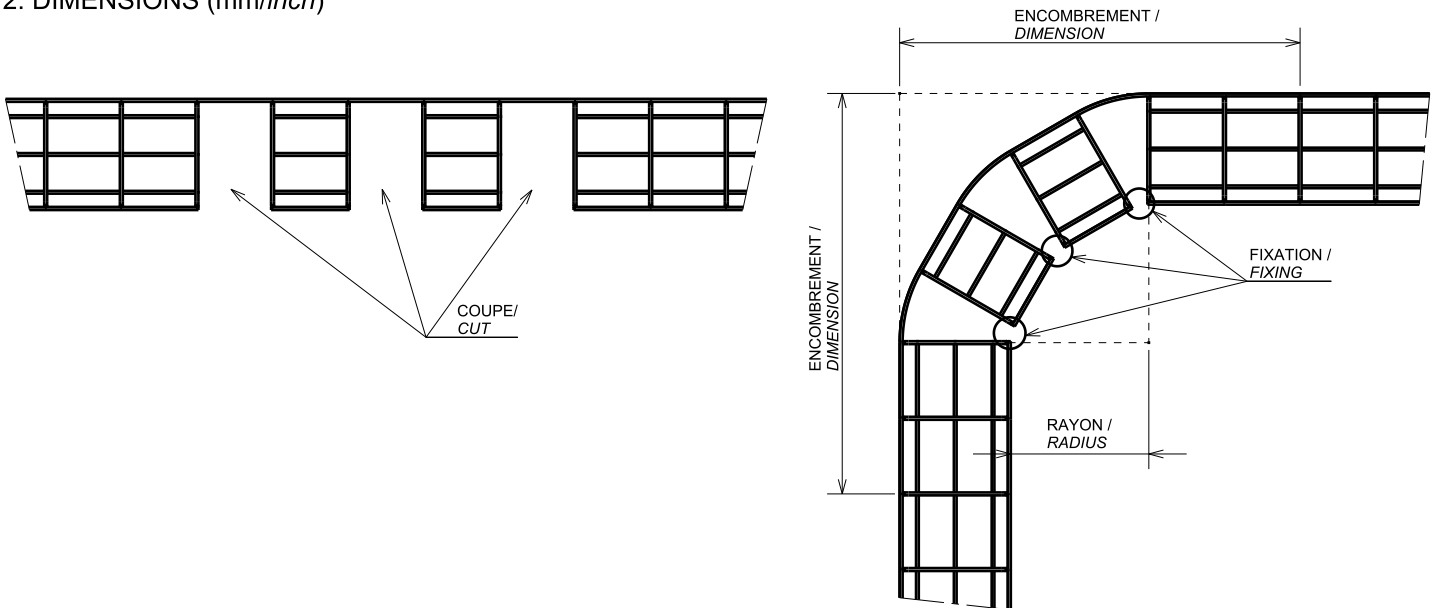
2. DIMENSIONS (mm/inch)


L'ergonomie du ZF-LOCK, notamment la casquette, évite toute agressivité afin de protéger l'utilisateur et les câbles /
ZF-LOCK ergonomics, especially cap, avoids aggressivity in order to protect the user and the cables.



ZF-LOCK

Reference(s) : 348 528/537/540/590/597/598

2. DIMENSIONS (mm/inch)


Designation	dimension chemin de câbles / dimension wire mesh tray	nombre de mailles à couper / quantity of stitches to cut	nombre de fixation ZF-LOCK / quantity of fixing ZF-LOCK	rayon int. / int. radius		encembrement / dimension	
				(mm)	(inch)	(mm)	(inch)
ZF-LOCK S	ZF31 50/100	2	2	166	6.54	400	15.75
ZF-LOCK S	ZF31 50/150	3	3	243	9.57	530	20.87
ZF-LOCK S	ZF31 50/200	4	4	320	12.60	657	25.87
ZF-LOCK XL	ZF31 50/300	6	6	479	18.86	913	35.94
ZF-LOCK XL	ZF31 50/400	8	8	630	24.80	1168	45.98
ZF-LOCK XL	ZF31 50/500	10	10	783	30.83	1422	55.98
ZF-LOCK XL	ZF31 50/600	12	12	937	36.89	1676	65.98

3. INSTALLATION
Verrouillage / Locking
