

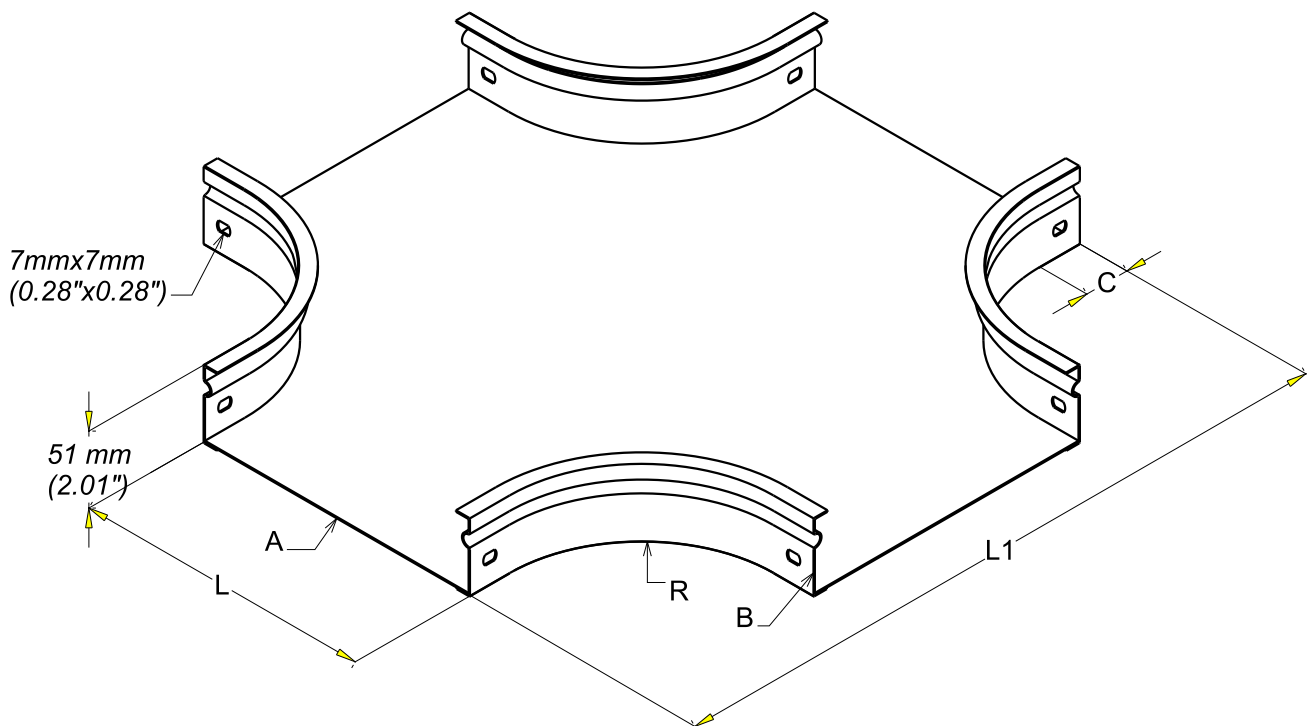
CROIX P31 X H50 50 à 500
CROSS P31 50x50 to 500

GC
HDG

legrand | CABLE
MANAGEMENT

FT0529-3

10 16



REF	CODE	L /L		A /A		B /B		C /C		R /R		L1 /L1	
		(mm)	(inch)	(mm)	(inch)	(mm)	(inch)	(mm)	(inch)	(mm)	(inch)	(mm)	(inch)
P31 X 50x50	343 133	50	(1.97")	0.8	(0.032")	1	(0.039")	30	(1.18")	20	(1.78")	148	(5.83")
P31 X 50x75	343 002	75	(2.92")	0.8	(0.032")	1	(0.039")	30	(1.18")	100	(3.94")	333	(13.11")
P31 X 50x100	343 134	100	(3.94")	0.8	(0.032")	1	(0.039")	30	(1.18")	100	(3.94")	358	(14.11")
P31 X 50x150	343 135	150	(5.91")	0.8	(0.032")	1	(0.039")	30	(1.18")	100	(3.94")	408	(16.08")
P31 X 50x200	343 136	200	(5.91")	0.8	(0.032")	1	(0.039")	30	(1.18")	100	(3.94")	458	(18.05")
P31 X 50x300	343 137	300	(7.87")	1	(0.039")	1	(0.039")	30	(1.18")	100	(3.94")	558	(21.99")
P31 X 50x400	343 138	400	(11.81")	1	(0.039")	1	(0.039")	50	(1.97")	150	(5.91")	798	(31.44")
P31 X 50x500	343 139	500	(19.69")	1	(0.039")	1	(0.039")	50	(1.97")	150	(5.91")	898	(35.38")
P31 X 50x600	343 140	600	(23.62")	1	(0.039")	1	(0.039")	50	(1.97")	150	(5.91")	998	(39.29")

Material	Standard	Finishes	Standard
S 235 JR	EN 10 025-2	HDG	Class 6 according to CEI 61537