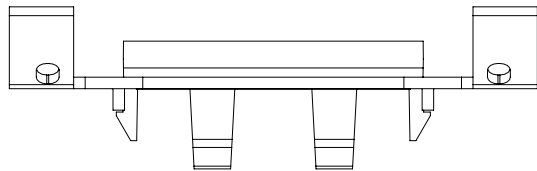
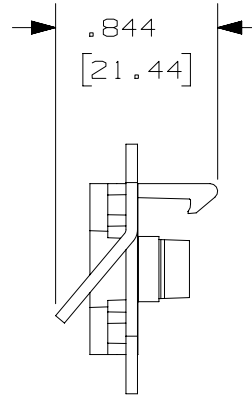
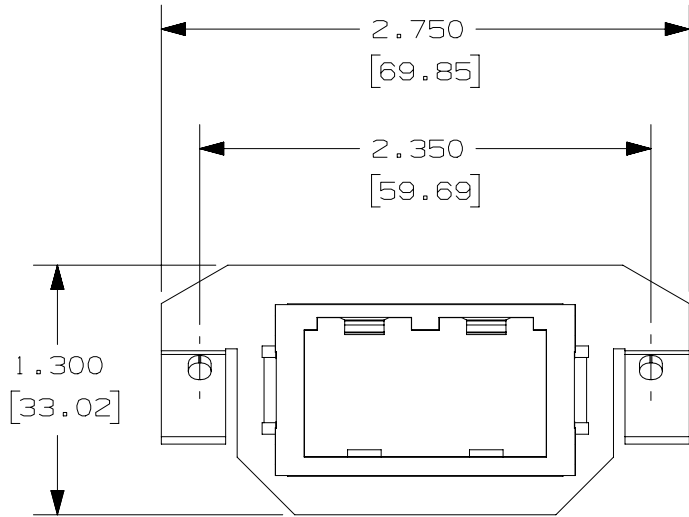


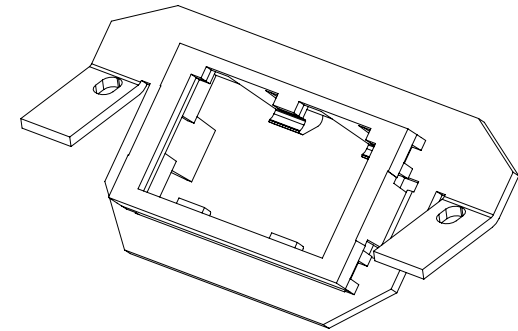
THIS COPY IS PROVIDED ON A RESTRICTED BASIS AND IS NOT TO BE USED IN ANY WAY DETRIMENTAL TO THE INTERESTS OF PANDUIT CORP.



PANDUIT P/N	WEIGHT
CMA2KHBL	0.346 LB/10 PCS (157g/10 PCS)

NOTES:

1. DIMENSIONS IN [ ] ARE IN METRIC.
2. PART INCLUDES:
  - 1 - 00141NEA-01 METAL ADAPTER PLATE: BLACK PAINTED GALVANEAELED STEEL
  - 1 - RCHF2MBL 1/3 INSERT: BLACK ABS
  - 2 - 00141NEB-01 PHILLIPS ROUND HEAD SELF THREADING SCREWS FOR PLASTIC: ZINC PLATED STEEL



PART NUMBER		CMA2KHBL	
TITLE			
MINI-COM MENNEKES ADAPTER 2 PORT KIT WITH 1/3 BLACK INSERT			
CUSTOMER DRAWING			
ITEM REVISION NAME		00141NEA/06	
DATASET FILE NAME		00141NEA_DC02/06A	
UNLESS OTHERWISE SPECIFIED, DIMENSIONAL TOLERANCES ARE: IN [ mm ]		MATERIAL:	
.x ± .1 [ 2.54 ] .xxx ± .005 [ .127 ]		SEE NOTES	
.xx ± .01 [ .25 ] ANGLES ± 5 °		DRAWING NUMBER:	
		00141NEA-02	
DRAWN BY	DATE	CHK	SCALE
MDJR	2/27/17	NAGL	1:1
SHT 1 OF 1			SIZE
			A

REV	DATE	BY	CHK	APR	DESCRIPTION	ECN
4	2-19-18	MDJR	ROJC	MMR	REVISED DESCRIPTION AND PART NUMBER TO REMOVE "/N"	00141NEA-02
3	7/06/17	MDJR	NAGL	MMR	UPDATED CAD MODEL	00141NEA-02
2	5/10/17	MDJR	NAGL	MMR	RELEASED TO PRODUCTION	00141NEA-02
1	2/27/17	MDJR	NAGL	MMR	DRAWING RELEASED	00141NEA-02