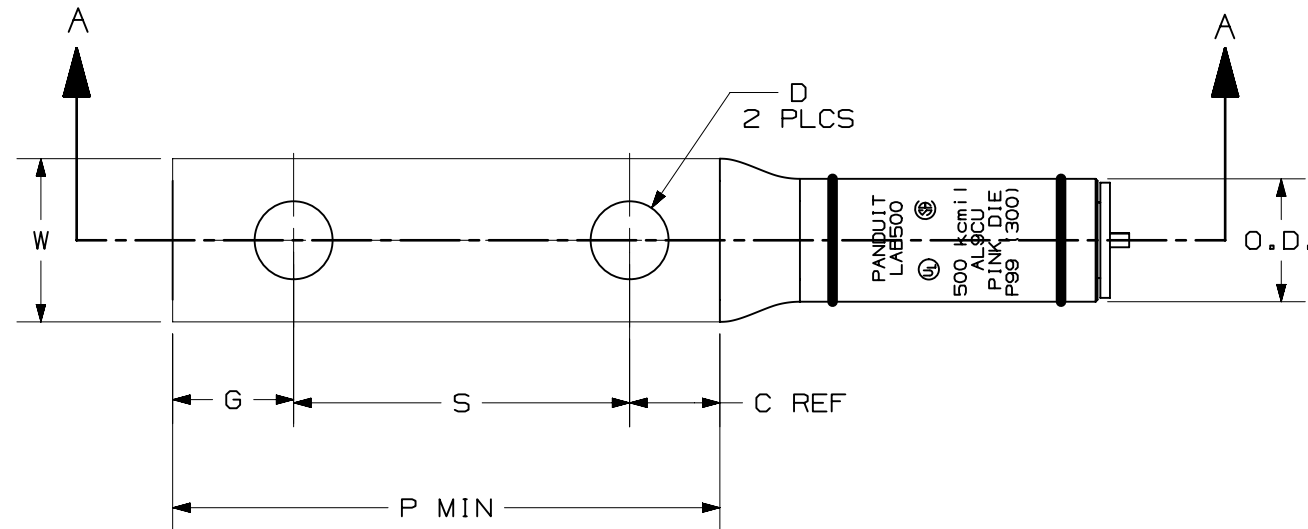


PANDUIT PART NUMBER	PACKAGE QUANTITY	CONDUCTOR SIZE	WIRE STRIP LENGTH	STUD SIZE	OVERALL LENGTH "A" ±.12	BARREL LENGTH "B" MIN.	I.D. ±.01	O.D. ±.01	TONGUE WIDTH "W" ± .06	TONGUE THICKNESS "W" ± .02	TONGUE LENGTH "P" MIN.	HOLE OFFSET "G" ± .03	STUD HOLE DIA "D" ±.02	HOLE SPACING "S" ± .04	WRENCH CLEARANCE "C" REF	PANDUIT DIE COLOR CODE PANDUIT DIE INDEX NUMBER (BURNDY DIE INDEX NUMBER)
LAB350-12-XR	10	350 kcmil	2-5/16"	1/2"	6.56	2.31	.72	1.11	1.52	.38	3.56	.63	.53	1.75	1.18	BROWN DIE P87 (299)
LAB400-12-24F	24	400 kcmil	2-9/16"	1/2"	6.94	2.50	.76	1.19	1.61	.39	3.56	.63	.53	1.75	1.18	GREEN DIE P94 (472)
LAB500-12-24R	24	500 kcmil	3-1/16"	1/2"	7.31	3.00	.84	1.32	1.74	.45	3.56	.63	.53	1.75	1.18	PINK DIE P99 (300)
LAB600-12-24F	24	600 kcmil	3-1/16"	1/2"	7.56	3.00	.92	1.44	1.73	.50	3.63	.63	.53	1.75	1.25	BLACK DIE P106 (473)
LAB750-12-24R	24	750 kcmil	3-7/16"	1/2"	8.25	3.44	1.03	1.59	1.74	.54	3.63	.63	.53	1.75	1.25	RED DIE P125 (301)
LAB900-12-24	24	900 kcmil	3-7/16"	1/2"	8.31	3.38	1.13	1.66	1.74	.59	3.63	.63	.53	1.75	1.25	GRAY DIE P140 (474)
LAB1000-12-8	8	1000 kcmil	4-3/4"	1/2"	9.73	4.50	1.19	1.84	2.56	.63	3.63	.63	.53	1.75	1.25	BROWN DIE P161 (302)

NOTES:

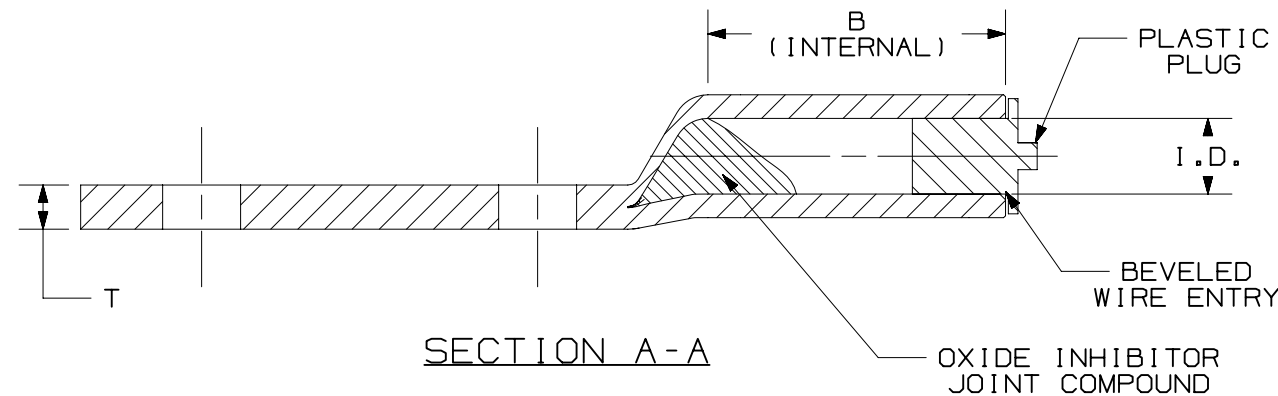
1. MATERIAL: SEAMLESS ALUMINUM TUBING, TIN PLATED
2. BARREL COLOR CODED WITH DIE SET INDEX NUMBER
3. WIRE TYPE:  
COPPER CLASS B CONCENTRIC, COMPRESSED AND COMPACT STRANDED WIRE  
COPPER CLASS C CONCENTRIC STRANDED WIRE  
ALUMINUM CLASS B, CONCENTRIC, COMPRESSED, AND UNIDIRECTIONAL LAY COMPACT STRANDED WIRE
4. UL LISTED & CSA CERTIFIED TEMPERATURE RATED 90° (AL9CU)
5. UL LISTED & CSA CERTIFIED VOLTAGE RATING 35KV
6. DIMENSIONS IN INCHES



LISTED



CERTIFIED



REV	DATE	BY	CHK	APR	DESCRIPTION	ECN
01A	8-14-23	JHNU	JHNU	MRWA	B. REVISED PART NUMBERS: LAB400-12-24F WAS LAB400-12-24, LAB600-12-24F WAS LAB600-12-24 A. CONVERTED TO NX	133208

PART NUMBER		SEE TABLE	
TITLE			
LAB SERIES ALUMINUM LUGS 350 kcmil - 1000 kcmil			
CUSTOMER DRAWING			
ITEM REVISION NAME		02903NBE/01	
DATASET FILE NAME		02903NBE-DC/01A	
THIRD ANGLE PROJECTION			
MATERIAL		SEE NOTES	
DRAWING NUMBER		02903NBE - DC	
DRAWN BY	DATE	CHK	SCALE
JHNU	8-14-23	JHNU	NONE
SHEET 1 OF 1			B