


Part number

PE 3265 SI



Flush-mounting plug, PLUSO series, 3 poles + N + PE, 6 h (red), 32 A, 380 ÷ 415 V

Product description		Material properties	
Product type	Plug Flush-mounting	Colour	RAL 7035 grey, RAL 3000 red
Series	PE...SI, PLUSO	RoHs conformity	Compliant with exemption 6(c): copper alloy containing up to 4% lead by weight
Connection type	Screw terminal connection	China RoHs - EFUP	50
N. of poles	3 poles + N + 	REACH SVHC substances	Yes Lead
Clock position	6	SCIP number	Ca7de37f-add8-4b77-9861-279c94903ade
Size	Socket fixing centre distance 77 x 85 mm	Approvals / Standards	
Technical data		Reference standard	EN 60309-1 and -2
Current	32 A	General ordering information	
Voltage	380 ÷ 415 V	EAN13 code	8015747067553
IP degree of protection	IP44	Packaging Information	
Further technical details		Packaging length	355,00 mm
Weight	255,00 g	Packaging height	195,00 mm
Operating temperature range (min, max)	-25°C ... +40°C	Packaging width	325,00 mm
		Packaging weight	3,01 kg
		Packaging volume	22,50 dm ³
		Packaging description	Carton box
		Packaging quantity	10 Pcs
		Packaging EAN code	8015747067560

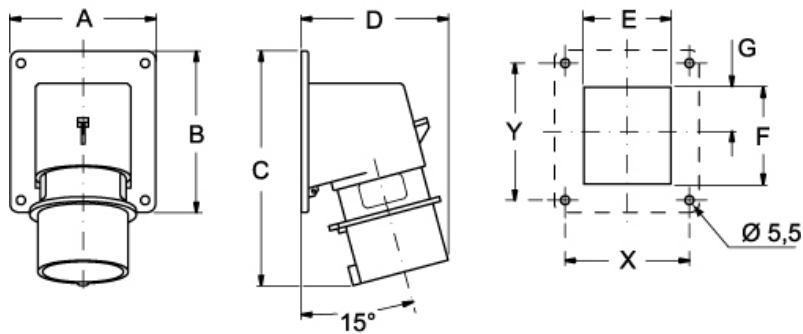
Part number

PE 3265 SI



Catalogue drawings

(16 / 32A) PE ... SI



PE ... SI	A	B	C	D	E	F	G	X	Y
16A 2P+⊕	65	82	126	81	41	43	21,5	52	60
	65	82	126	81	47	43	21,5	52	60
	90	100	146	93	54	60	27,5	77	85
32A 2P+⊕	90	100	160	101	55	60	27,5	77	85
	90	100	160	101	55	60	27,5	77	85
	90	100	160	106	62	60	27,5	77	85

Notes

Dimensions shown in mm are not binding and may be changed without notice.

- Compliant with EN 60309-1 and -2
- Enclosure, insert and locking ring in insulating, thermoplastic, self-extinguishing material
- Flange with anti-ageing gasket
- PE...SI types (IP44), RAL 7035 grey enclosure, plug mouth colour coded according to the operating voltage
- PEW...SI (IP67) types, RAL 7035 grey enclosure, locking ring with gasket colour coded according to the operating voltage
- Terminals with retained screws
- 63A, 125A: with pilot contact
- Nickel-plated contacts, available on request for 16A and 32A (standard on 63A and 125A). For the code of products with nickel-plated contacts (socket holes, plug pins), add "N" to the pre-code of the corresponding standard product code; for example: PE becomes PEN and PEW becomes PEWN.
- IP44 and IP67 degrees of protection (EN 60529)