

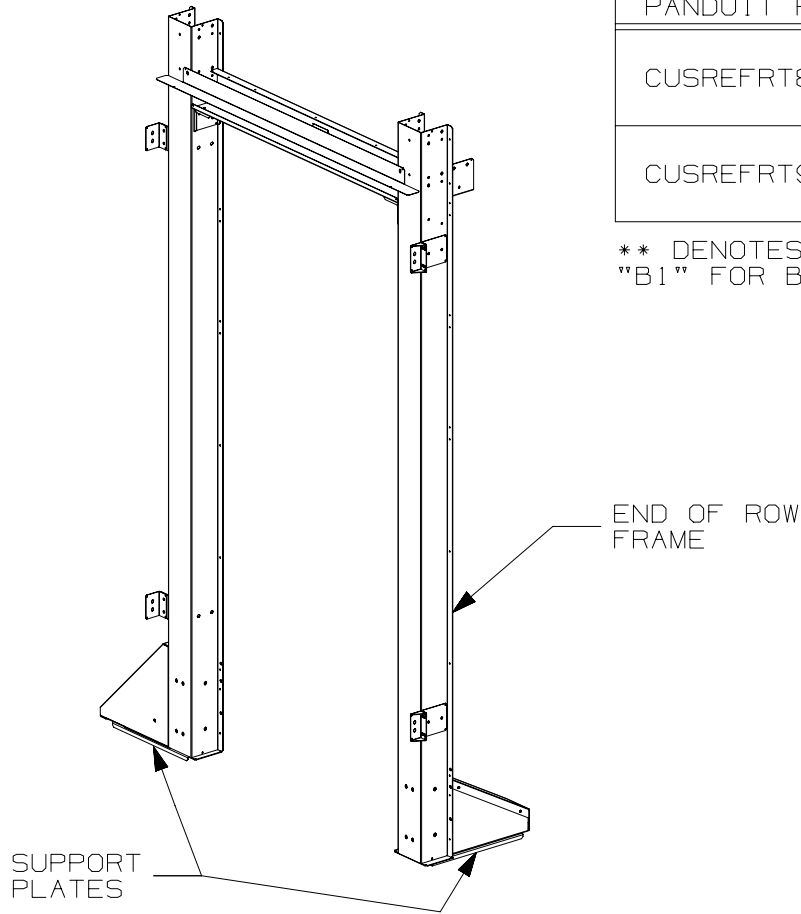
THIS COPY IS PROVIDED ON A RESTRICTED BASIS AND IS NOT TO BE USED IN ANY WAY DETRIMENTAL TO THE INTERESTS OF PANDUIT CORP.

PANDUIT P/N	DESCRIPTION	WEIGHT
CUSREFRT8**	NET-CONTAIN USRC-END-OF-ROW FRAME FOR ROOFING 42/45RU HIGH - 40.5" (1030mm) AISLE WIDTH	42.13 Kg (92.9 LBS)
CUSREFRT9**	NET-CONTAIN USRC-END-OF-ROW FRAME FOR ROOFING 48/52RU HIGH - 40.5" (1030mm) AISLE WIDTH	49.96 Kg (110.2 LBS)

** DENOTES COLOR - ADD SUFFIX:
"B1" FOR BLACK AND "W1" FOR WHITE

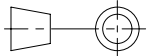
NOTES:

- VISIT OUR ONLINE CATALOG AT WWW.PANDUIT.COM FOR A LIST OF CURRENT PARTS APPLICABLE FOR USE WITH THIS PRODUCT.
- PARTS SUPPLIED:
 - 1 - END OF ROW FRAME (UNNASSEMBLED)
 - 2 - SUPPORT PLATES
 - 1 - HARDWARE KIT (NOT SHOWN)
 - 1 - INSTRUCTION SHEET
- PRIMARY DIMENSIONS ARE IN MILLIMETERS.



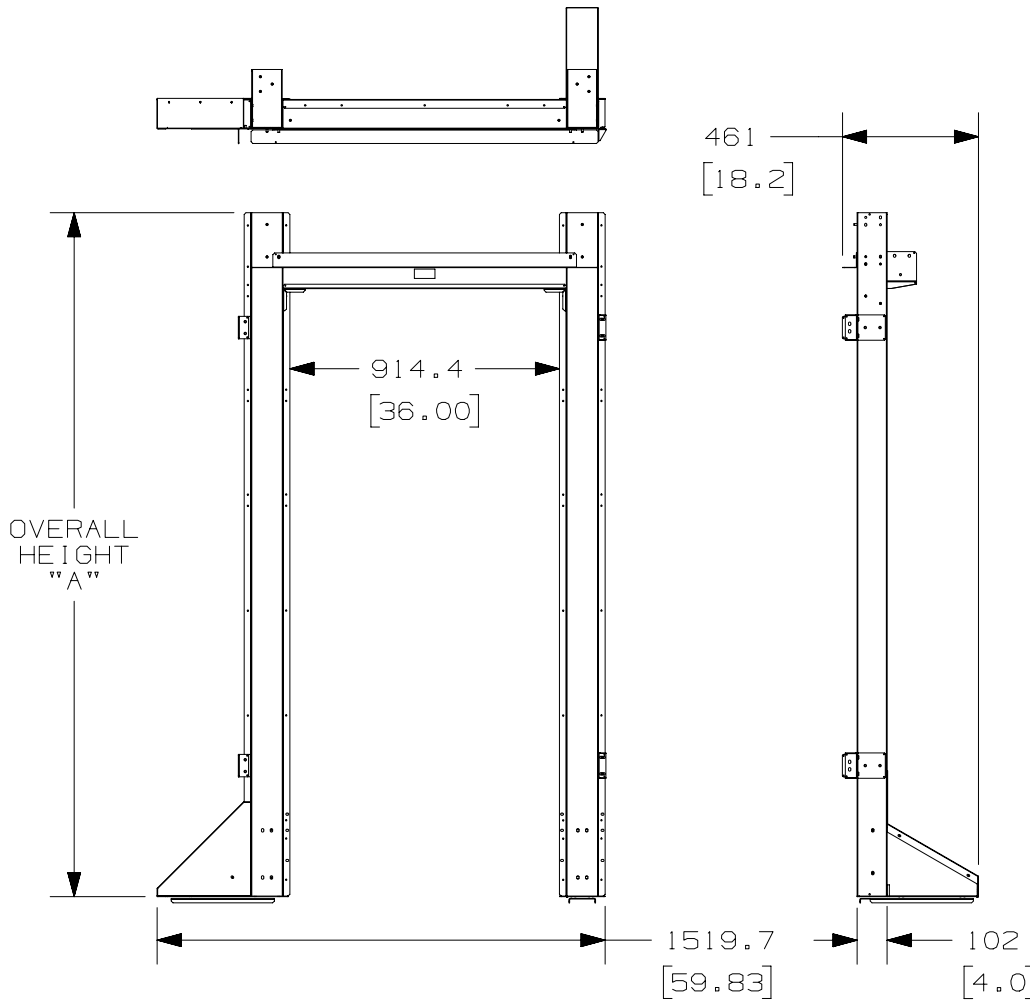
CUSREFRT8** SHOWN AT 42RU HEIGHT

REV	DATE	BY	CHK	APR	DESCRIPTION	ECN
02A	11/26/15	MEX-JAGC			RELEASED TO PRODUCTION	V09000PB

TITLE NET-CONTAIN USRC END OF ROW FRAMES FINISHED GOOD (CUSREFRT***)		PANDUIT
CUSTOMER DRAWING		
ITEM REVISION NAME 14V467NA/02	DRAWING NUMBER: 14V467NA-DC	
DATASET FILE NAME 14V467NA/DC_02A		MATERIAL: N/A
 THIRD ANGLE PROJECTION		
DRAWN BY MEX-JAGC	DATE 11/26/15	CHK SCALE NONE
SHT 1 OF 2		SIZE A

D10100DA/16

THIS COPY IS PROVIDED ON A RESTRICTED BASIS AND IS NOT TO BE USED IN ANY WAY DETRIMENTAL TO THE INTERESTS OF PANDUIT CORP.



PANDUIT P/N	SYSTEM HEIGHT	OVERALL HEIGHT "A"
CUSREFRT8**	42RU	2320 (91.34)
	45RU	2333.2 (91.86)
CUSREFRT9**	48RU	2466.6 (97.11)
	52RU	2644.4 (104.11)

** DENOTES COLOR - ADD SUFFIX:
"B1" FOR BLACK AND "W1" FOR WHITE

POST DEPTH
EXTENDS BEYOND
CABINET POD

TITLE		NET-CONTAIN USRC END OF ROW FRAMES FINISHED GOOD (CUSREFRT***)	
ITEM REVISION NAME		CUSTOMER DRAWING	
DATASET FILE NAME		14V467NA/02	PANDUIT
		14V467NA/DC_02A	
MATERIAL:		N/A	
DRAWING NUMBER:		14V467NA-DC	
THIRD ANGLE PROJECTION			
DRAWN BY	DATE	CHK	SCALE
MEX-JAGC	11/26/15		NONE
REV	DATE	BY	CHK
02A	11/26/15	MEX-JAGC	
DESCRIPTION		APR	ECN
RELEASED TO PRODUCTION			V09000PB
SHT 2 OF 2		A	

D101000DA/16