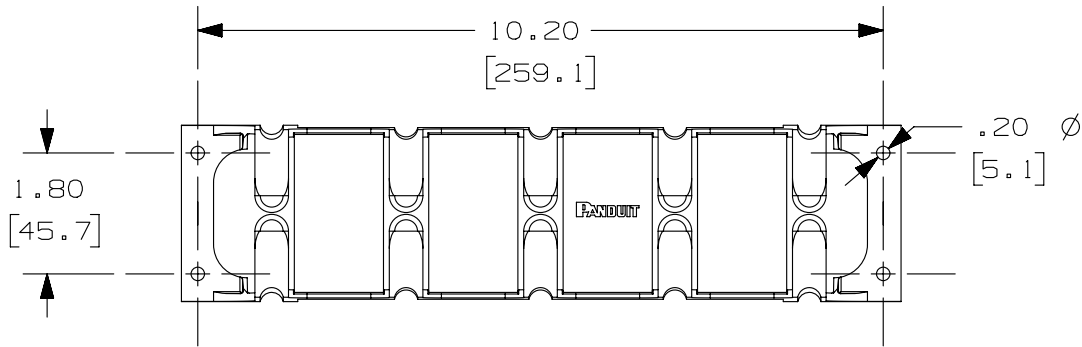
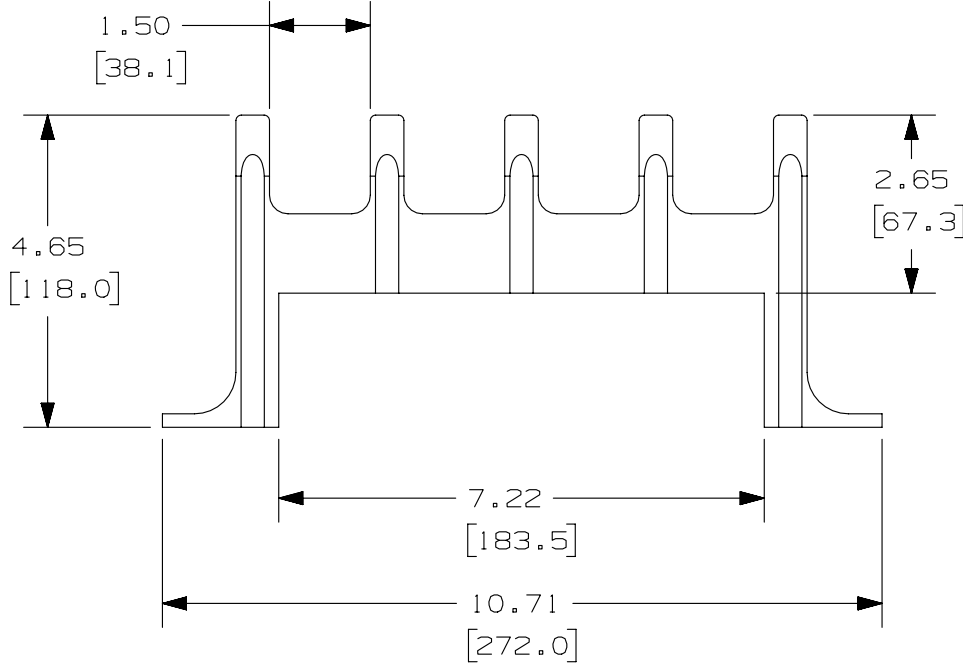
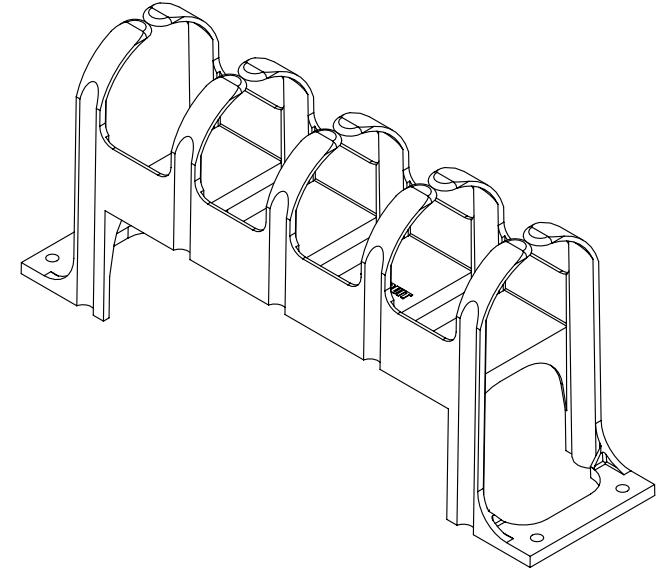


THIS COPY IS PROVIDED ON A RESTRICTED BASIS AND IS NOT TO BE USED IN ANY WAY DETRIMENTAL TO THE INTERESTS OF PANDUIT CORP.



PANDUIT PART NUMBER	WEIGHT
P110JTW-X	.24 LB/EACH 107 g/EACH

NOTES:  
1. DIMENSIONS SHOWN IN BRACKETS ARE METRIC UNITS.



PART NUMBER		P110JTW-X	
TITLE			
PAN-PUNCH 110 PUNCHDOWN SYSTEM JUMPER TROUGH WITH LEGS			
CUSTOMER DRAWING			
ITEM REVISION NAME		B07686BA/00	
DATASET FILE NAME		B07686BA_DC/00B	
UNLESS OTHERWISE SPECIFIED, DIMENSIONAL TOLERANCES ARE: IN (mm)		MATERIAL:	
.x ± .xxx ± .010 [.3]		POLYCARBONATE	
.xx ± .03 [.8] ANGLES ±		DRAWING NUMBER:	
		KA-10504	
DRAWN BY	DATE	CHK	SCALE
BAP	2-13-97	REFR	.35:1
SHT 1 OF 1		SIZE	
A		A	

REV	DATE	BY	CHK	APR	DESCRIPTION	ECN
1	6-09-14	MDJR	REFR	MMR	A. UPDATED TITLE BLOCK.	KA-10504
R	2-13-97	BAP			RELEASED TO PRODUCTION	KA-10504

D10100DA/14