

1

2

3

4

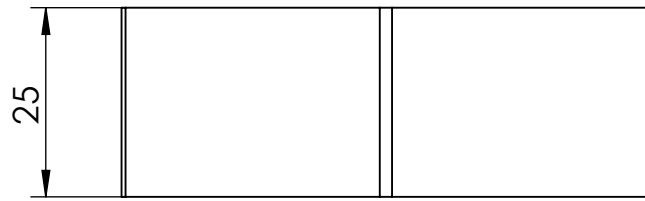
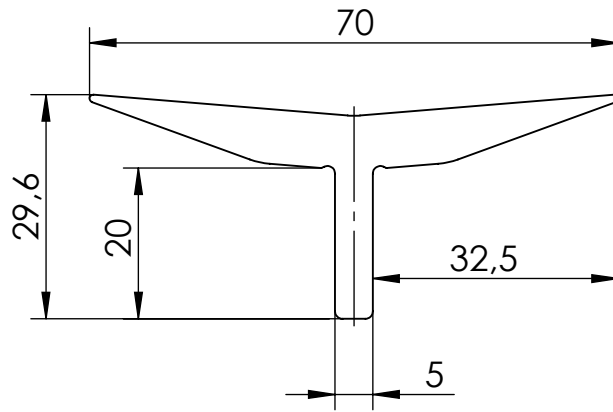
A

B

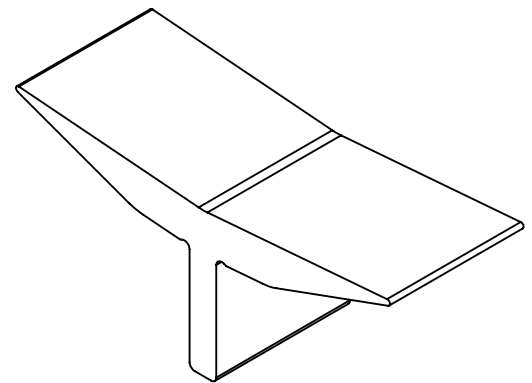
C

D

E



Isometric



K2 Systems GmbH
 Industriestr. 18
 71272 Renningen
 Germany
 +49 7159 42059-0

Designation:

Data sheet
 K2 Module Safety

F	Name	Date	Material:	Item no.:	2004290	A4	
	Designed	A. Soumpalas	01.12.2023	EPDM Shore A 70			
	Approved	M.Schuler	01.12.2023	Surface: blank	Drawing no.:	14-004-01	All dimensions in mm
	Last change			Weight: ca. 14.15 g/pc	Scale: 1:1		Sheet 1 of 1

This drawing is the sole property of K2 Systems GmbH. It is protected by copyright and may only be copied, reproduced or distributed to a third party with explicit permission!