

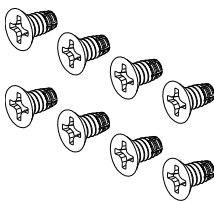
INSTRUCTIONS CM377

© Panduit Corp. 2008

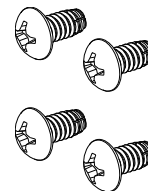
List of Components:

- (2) Packs of (4) #6-32 x 1/4" Screws
- (1) Pack of (4) #10-32 x 3/8" Screws
- (1) Electrical Box Assembly
- (1) Fan Screen Plate
- (1) Air Dam
- (1) Exhaust Fan Assembly

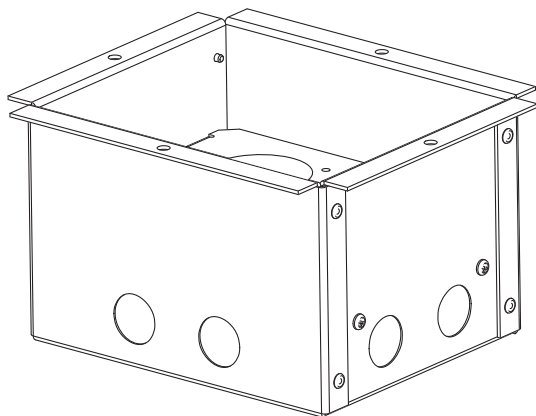
Kit Components



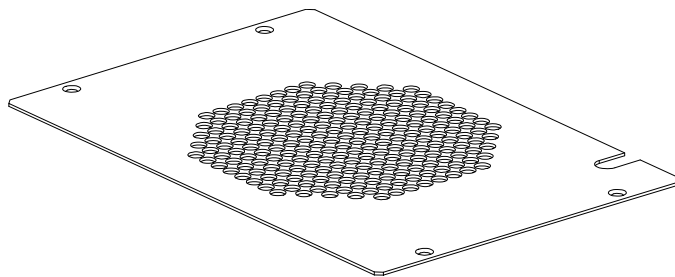
(2) Packs of (4) #6-32
Thread-Cutting Screws



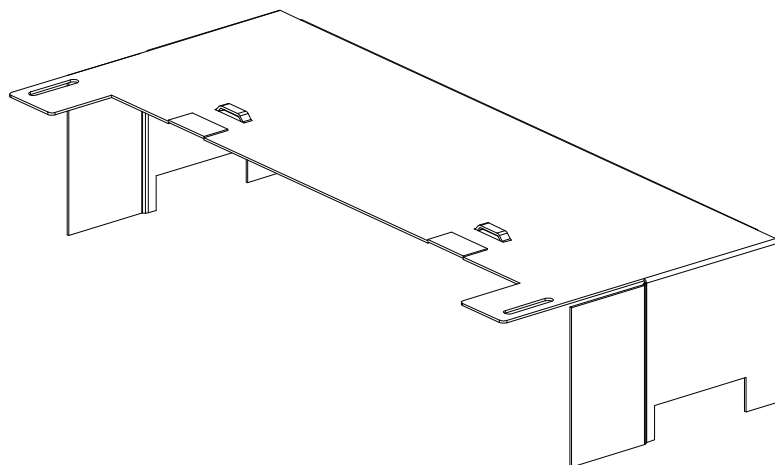
(1) Pack of (4) #10-32 Screws



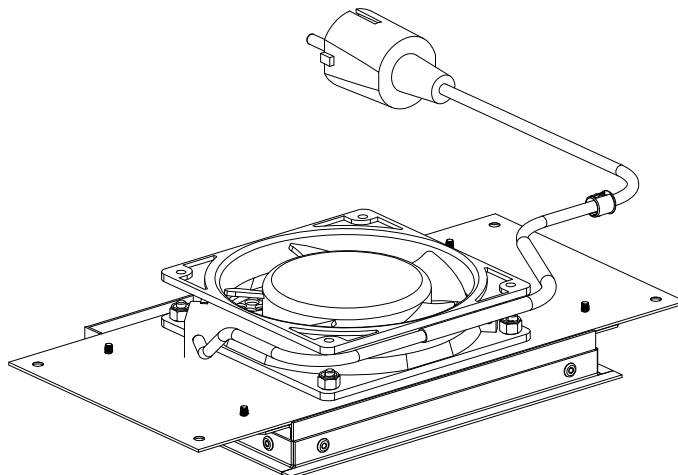
(1) Electrical Box Assembly



(1) Fan Screen Plate

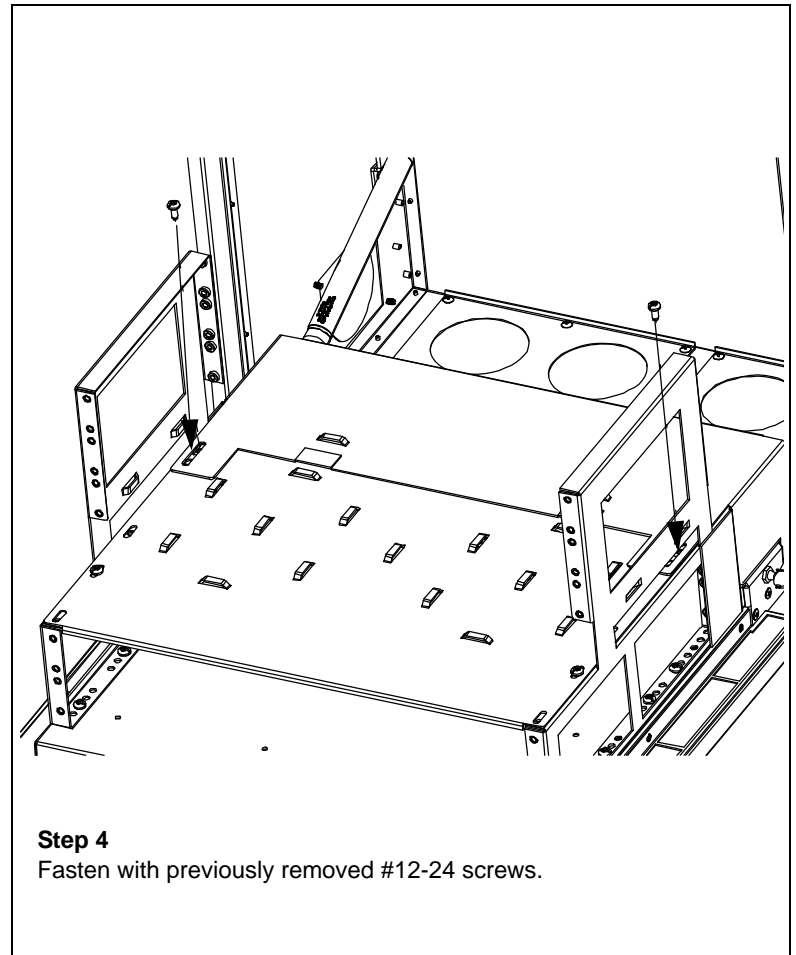
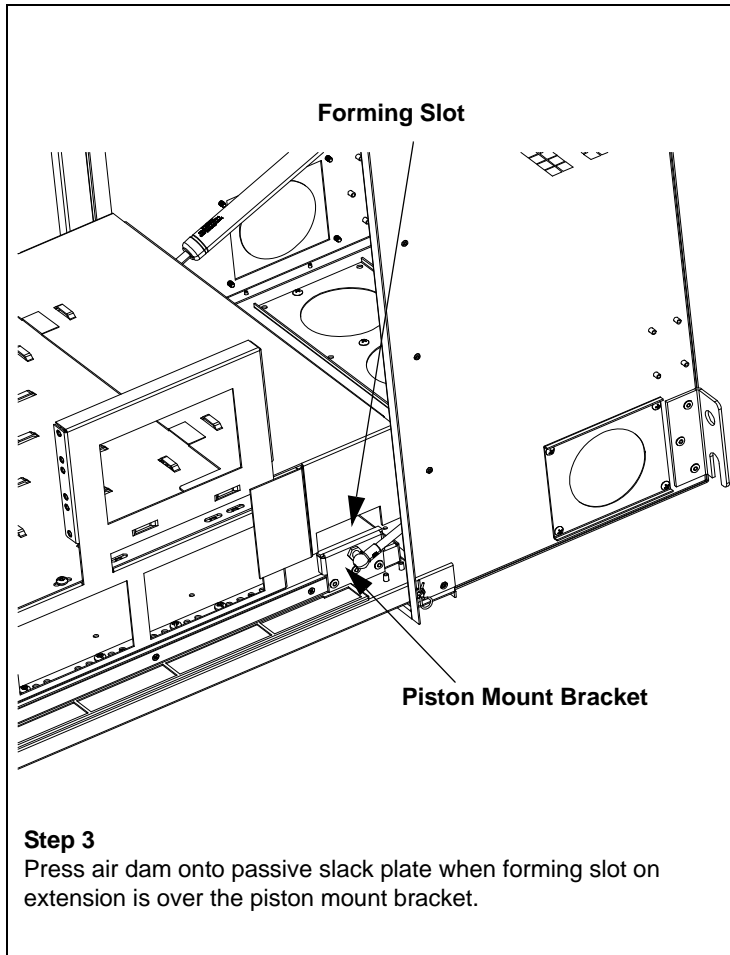
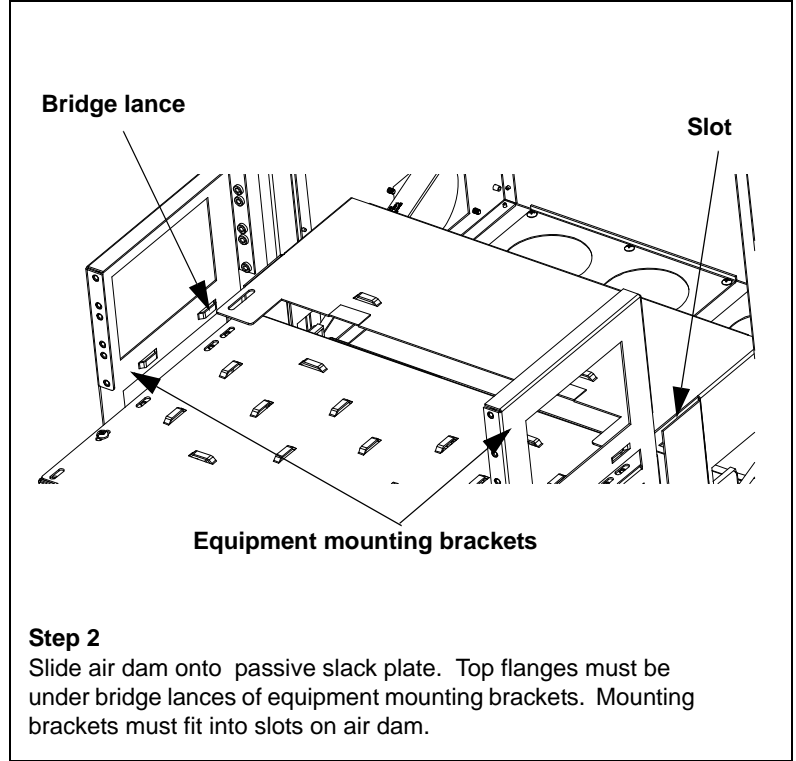
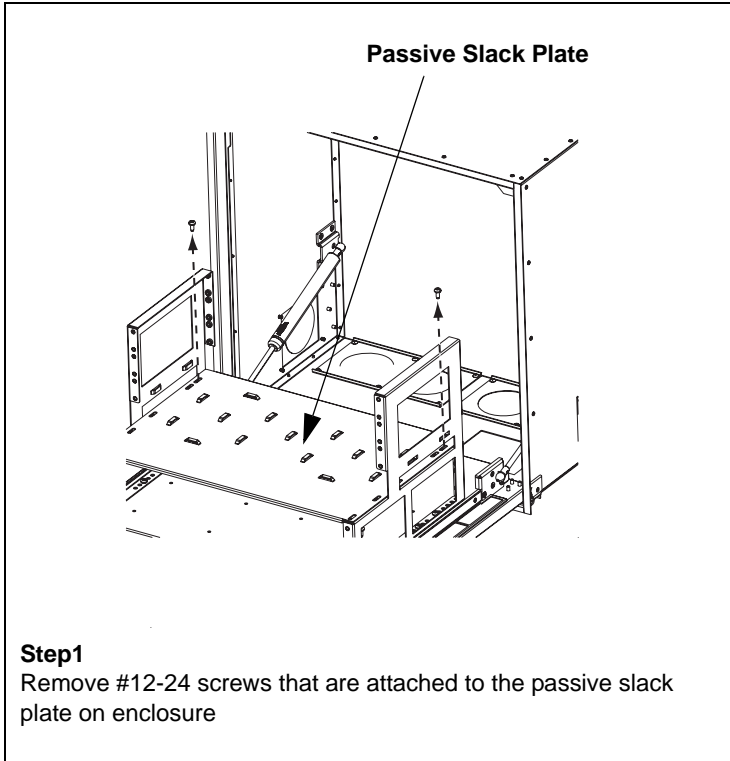


(1) Air Dam



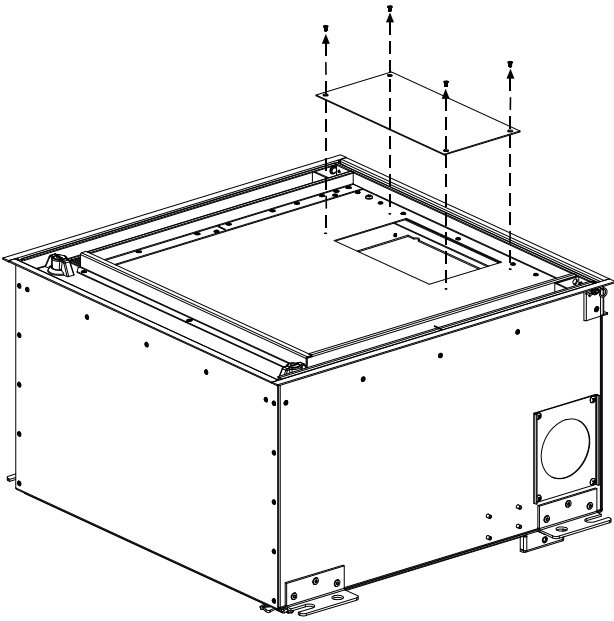
(1) Exhaust Fan Assembly

Air Dam Assembly

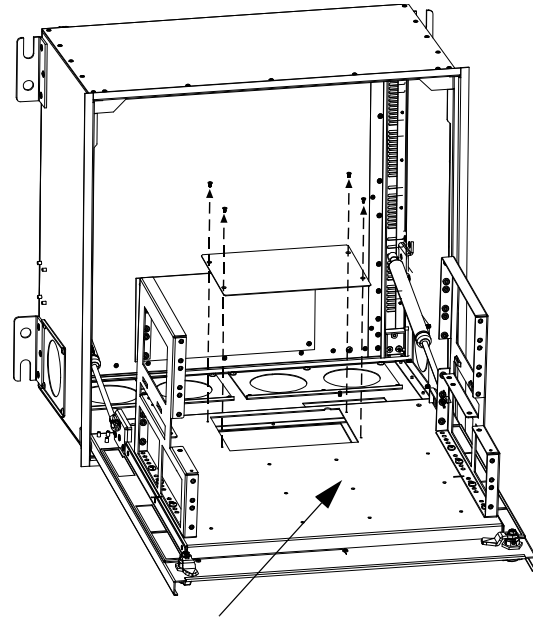


Exhaust Fan Installation

Step 1
Remove screws and plate from the outside of enclosure door.



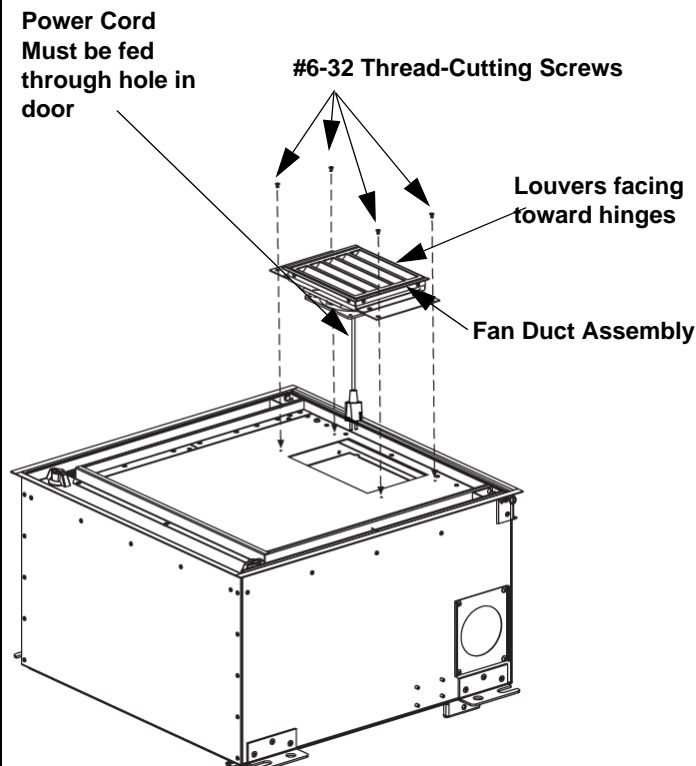
Step 2
Remove screws and plate from the equipment mount plate.



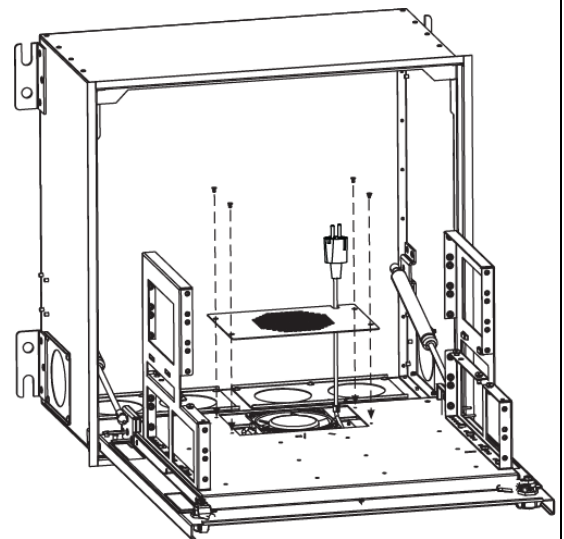
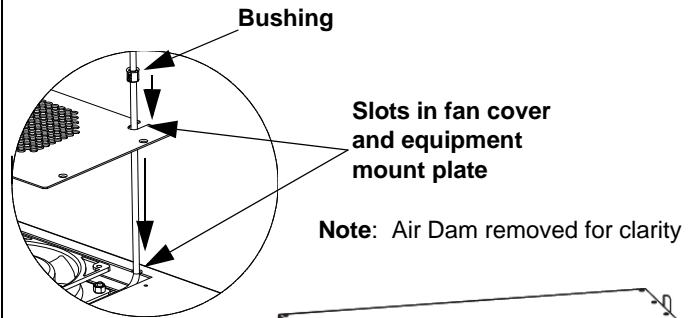
Equipment Mount Plate

Note: Slack plate and Air Dam removed for clarity

Step 3
Assemble fan kit to outside of door.
1. Fan Duct Assembly must face out.
2. Louvers must face toward hinges
3. Power cord must be fed through hole in door.
Fasten assembly to door using (4) #6-32 Thread-Cutting Screws

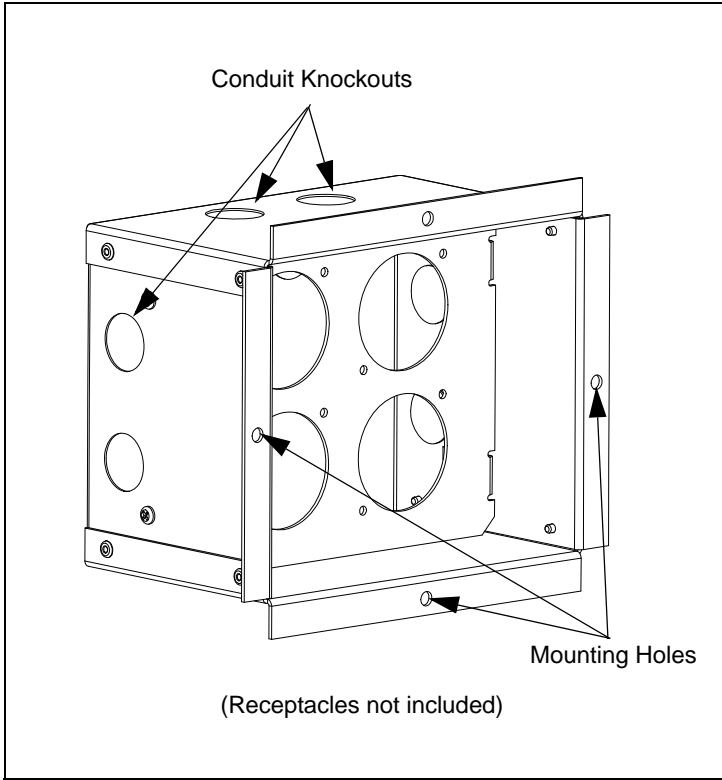


Step 4
Assemble fan screen plate to inside of door.
1. Feed the line cord through the slots in the fan cover and the equipment mount plate
2. Slide bushing around line cord and snap into the cover slot.



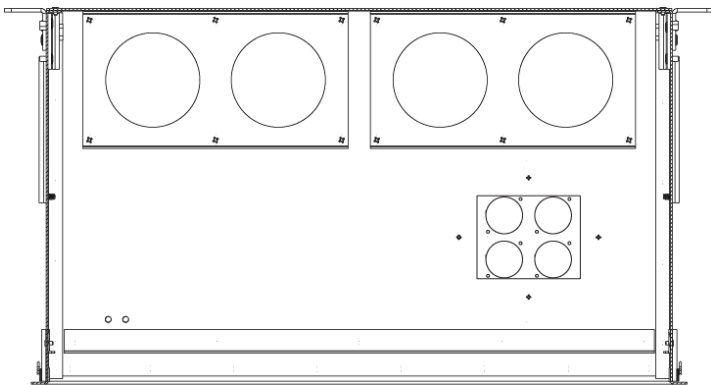
Electrical Installation

Included with the product is a standard electrical junction box. Mounting and installing the electrical components and receptacles should be completed by an experienced professional to the latest local building codes and regulations.



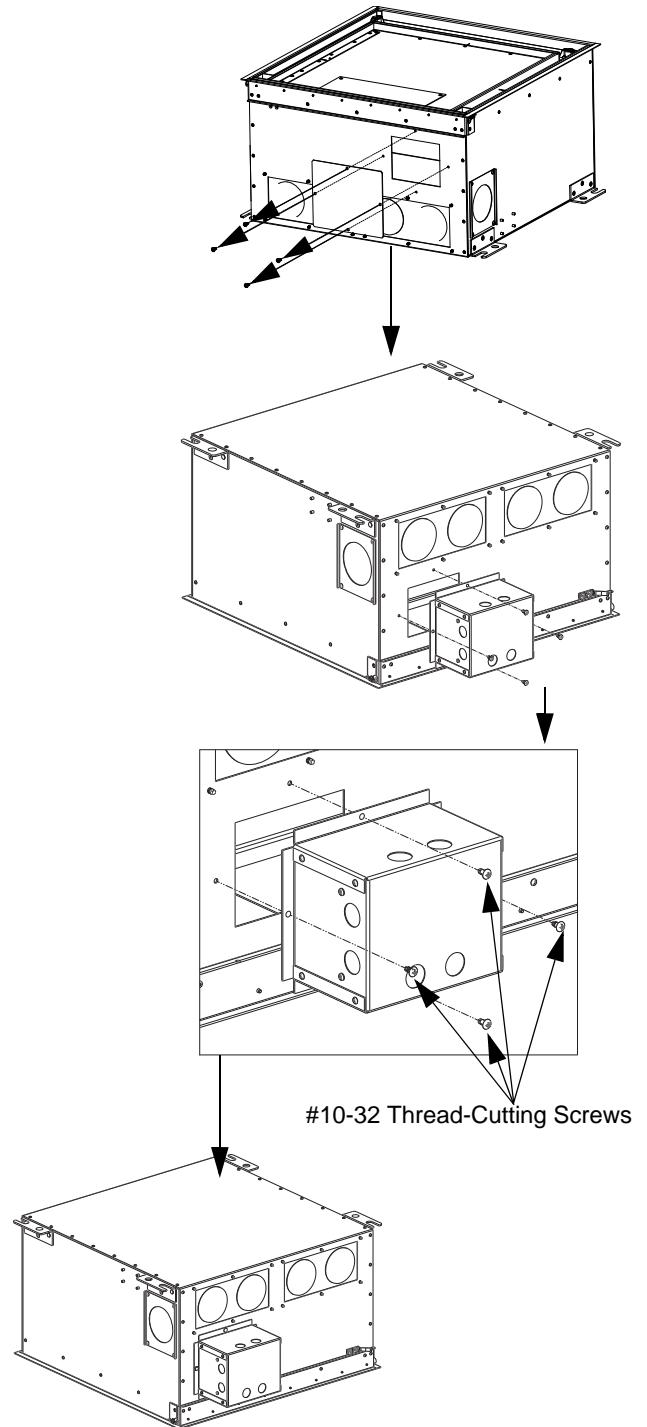
NOTE: Install power per local building codes and regulations

Cross-sectional view from inside enclosure



Mounting the Electrical Junction Box

Remove plate from the side of the enclosure. Then mount the electrical box to the side of the enclosure. Use (4) #10-32 thread-cutting screws to attach the box to the exterior



For instructions in Local Languages
and Technical Support:
www.panduit.com/resources/install_maintain.asp



E-mail:
cs@panduit.com
Fax:
(708)444-6448