



3-pole, 20 A change-over



3-pole, 20 A 0-1

Technical data

Ex-Main current switches 20 A

Marking accd. to 2014/34/EU	Ⓔ II 2 G Ex ed ia IIC T6 / Ⓔ II 2 D IP66 T55 °C	
EC-Type Examination Certificate	PTB 99 ATEX 1161	
IECEX Certificate of Conformity	BK1 07.0012	
Marking accd. to IECEx	Ex ed ia IIC T6 Ex tD A21 IP66 T55 °C	
Permissible ambient temperature	-20 °C up to +40 °C ¹⁾	
Rated voltage	up to max. 690 V	
Rated current	max. 20 A	
Frequency	50/60 Hz	
Rated making/breaking capacity AC-3 accd. EN 60947-3	U _e 230 V / I _e 20 A U _e 400 V / I _e 20 A U _e 500 V / I _e 16 A U _e 690 V / I _e 10 A	
Back-up fuse	up to 400 V AC: 35 A gG up to 500 V AC: 35 A gG up to 690 V AC: 25 A gG	
Connecting terminals	main contact	2 x 4 mm ²
	auxiliary/signal contact	2 x 0.5 - 2.5 mm ²
Protection class	I	
Degree of protection accd. to EN 60529	IP66	
Cable glands/enclosure drilling	M25 cable gland see ordering details M32 cable gland see ordering details Option: metal flange with thread	
Weight	approx. 1.40 kg	
Enclosure material	glass-fibre reinforced polyester	
Enclosure colour	black	
Padlocking facility	can be locked in OFF position with 3 commercially available padlocks (Ø max. 6 mm)	

¹⁾ Other ambient temperatures on request

GHG 262 - Ex-main current switches 20 A



3-pole, 20 A 0-I



3-pole, 20 A change-over

Ordering details

Version		Cable gland		Order No.
Ex-Main current switches 20 A 3-pole				
3-pole	0 - I	2 x M32	ON-OFF switch	GHG 262 1301 R0001
	0 - Y - D	3 x M32	Star-delta	GHG 262 0016 R0004
	0 - I - II	3 x M32	Dahlander	GHG 262 0016 R0005
Ex-Main current switches 20 A 3-pole Version with 2 auxiliary contacts (1 NO; 1 x NC)				
3-pole	I - II	3 x M32/1 x M25	Change-over	GHG 262 0016 R0001
	I - 0 - II	3 x M32/1 x M25	Change-over	GHG 262 0016 R0002
	I - 0 - II	3 x M32/1 x M25	Reversing switch	GHG 262 0016 R0003

Customized version on request, auxiliary contacts in Ex ia available

Accessories

Type	Application	Fixing method	Order No.
Mounting plate for Ex-Main current switches 20 A 3-pole			
Size 2	Wall mounting	snap on	GHG 610 1953 R0104
Size 2	Pipe clamp	snap on	GHG 610 1953 R0105
Size 2	Trellis-work mounting	snap on	GHG 610 1953 R0106
Type		OU	Order No.
Accessories for mounting plates			
	Label holder with type label (blank) for mounting plate size 1, 2, 2A and 3	10	GHG 610 1953 R0057
	Plug-in fastener for CEAG modules with 5.5 mm and 11 mm mounting feet 1 set = 4 pcs.	10	GHG 610 1953 R0041
	Mounting set for pipes 1" (of 27 - 30 mm) for mounting plates with pipe fixing	10	GHG 610 1953 R0020
Type	Application	OU	Order No.
Protective canopy for mounting plate			
Size 2	for mounting plate size 2	1	GHG 610 1955 R0102
Size 2A	for mounting plate size 2A	1	GHG 610 1955 R0103

Please pay attention that only order units (OU) according to the ordering details can be delivered.

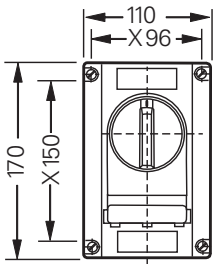


3-pole, 20 A change-over

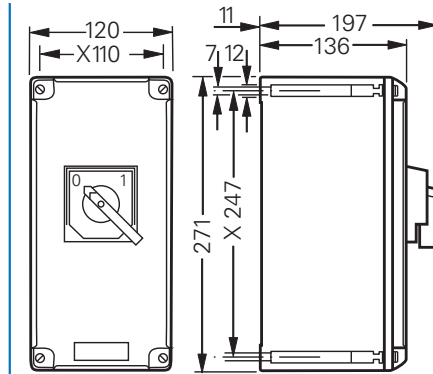
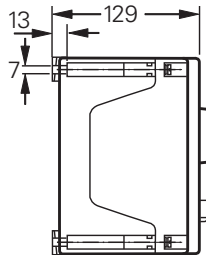


3-pole, 20 A 0-1

Dimension drawing



GHG 262 1301 R0001



GHG 262 0016 R...

X = fixing dimensions