

Part number

CAO 06 L21



Hood, C-TYPE series, with 2 pegs, Pg21 side cable entry, size "44.27", high construction

Product description

Product type	Hood
Series	C-TYPE
Closing type	With 2 pegs
Size	Size "44.27"
Cable entry	Side cable entry Pg21
Specification	High construction

Technical data

IP degree of protection	IP66 (and IP69 DIN 40050 - 9)
--------------------------------	-------------------------------

Further technical details

Weight	184,50 g
Operating temperature range (min, max)	-40°C...+125°C

Material properties

Colour	RAL 7040 grey
RoHs conformity	Compliant
China RoHs - EFUP	E
REACH SVHC substances	No

Approvals / Standards

Certifications	DNV-GL, BV
UL	ECBT2
cUL	ECBT8

General ordering information

EAN13 code	8015747006064
-------------------	---------------

Packaging Information

Packaging length	260,00 mm
Packaging height	100,00 mm
Packaging width	150,00 mm
Packaging weight	1,95 kg
Packaging volume	3,90 dm ³
Packaging description	Carton box
Packaging quantity	10 Pcs
Packaging EAN code	8015747215411
Sub-packaging weight	0,98 kg
Sub-packaging description	Plastic packaging
Sub-packaging quantity	5 Pcs
Sub-packaging EAN barcode	8015747006071

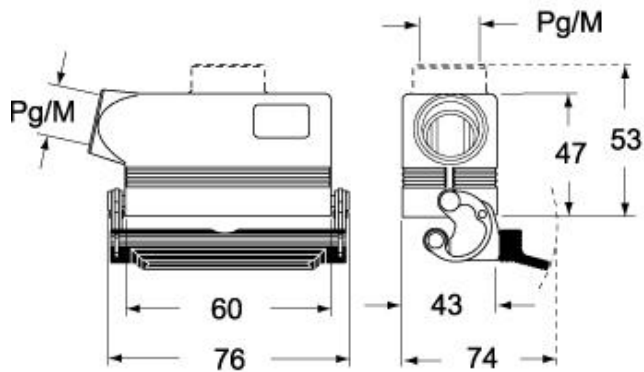
Part number

CAO 06 L21

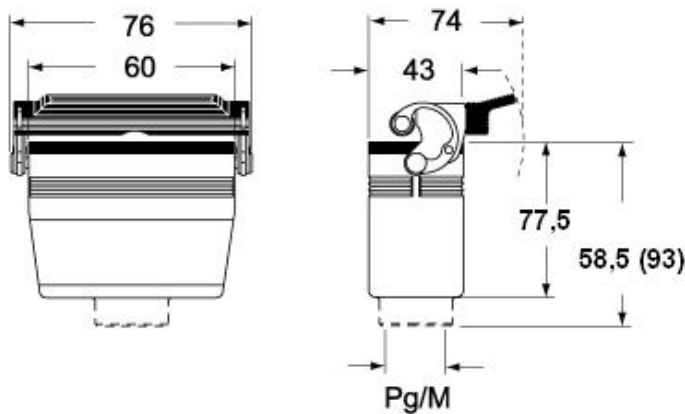


Catalogue drawings

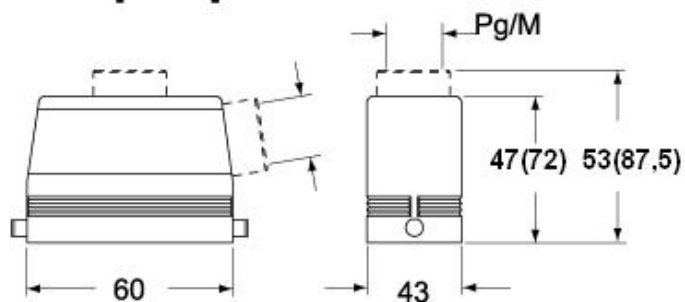
CHO LX CHV LX - MHO LX MHV LX



CHV LG (CAV LG), MHV LG (MAV LG) [MFV LG]



CHO L (CAO L) - MHO (MAO/MFO/MFV L) MHV L [MAV L]



Notes

Dimensions shown in mm are not binding and may be changed without notice.