

Part number

CKH 03 IA



Angled Bulkhead mounting housing, CKH series, with 1 lever without cable entry, size "21.21"

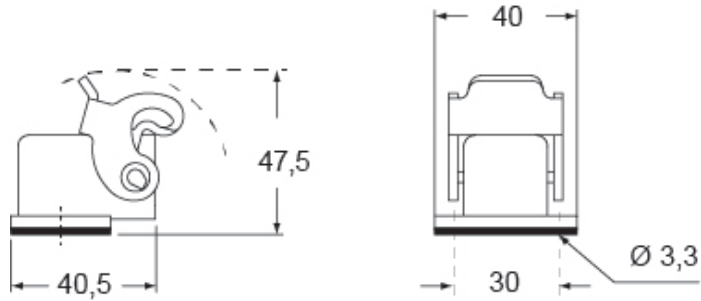
Product description		Material properties	
Product type	Angled bulkhead mounting housing	Main material	Polyamide (PA)
Series	CKH	Other materials	Lever: Polypropylene (PP), metal-detectable Gasket: Silicone rubber
Closing type	With 1 lever	Colour	RAL 7012 grey, RAL 5005 blue
Size	Size "21.21"	General ordering information	
Cable entry	Without cable entry	EAN13 code	8015747275552
Technical data		eCl@ss 8.1	27440202
IP degree of protection	IP44 (IP66/IP67/IP69 with CKRH 65/CKRH 65 D kits)	ETIM 7.0	EC000437
Further technical details		Packaging Information	
Weight	11,00 g	Sub-packaging description	Plastic bag
Operating temperature range (min, max)	-40°C...+70°C	Sub-packaging quantity	1 Pcs
		Sub-packaging EAN barcode	8015747280464

Part number

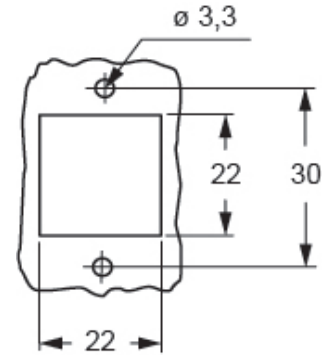
CKH 03 IA



Catalogue drawings



Catalogue drawings



Notes

Dimensions shown in mm are not binding and may be changed without notice.
