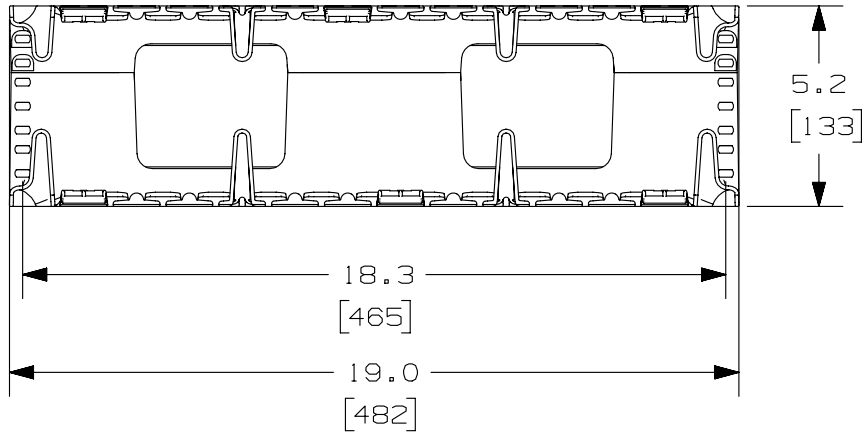


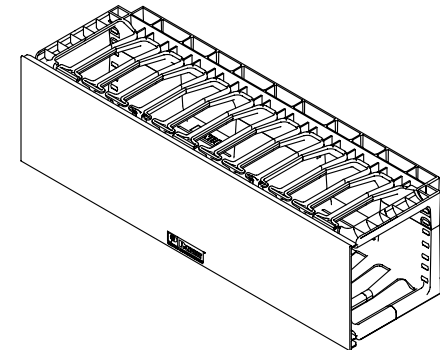
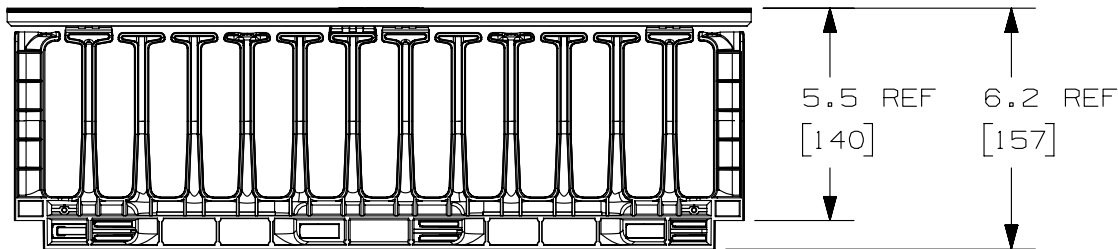
THIS COPY IS PROVIDED ON A RESTRICTED BASIS AND IS NOT TO BE USED IN ANY WAY DETRIMENTAL TO THE INTERESTS OF PANDUIT CORP.



PANDUIT P/N	WEIGHT
NMF3 NMF3WH	2.2 LBS/EACH 998 g/EACH

NOTES:

- VISIT OUR ON-LINE CATALOG AT WWW.PANDUIT.COM FOR A CURRENT LIST OF PRODUCTS APPLICABLE FOR USE WITH THIS PART.
- COMPONENTS:
1- 3RU MANAGER (FRONT ONLY)
1- 3RU 19" COVER
- DIMENSIONS IN PARENTHESIS ARE METRIC.



REV	DATE	BY	CHK	APR	DESCRIPTION	ECN
03A	10/30/14	FGR	TCO	CAHE	P/N NMF3WH ADDED.	V09000AS
02B	4-1-13	RYB			REDRAWIN, REMOVED OLD REVISIONS	10404-17

TITLE NMF3 CABLE MANAGER CUSTOMER DRAWING	
ITEM REVISION NAME V10404AI/03	PANDUIT
DATASET FILE NAME V10404AI_DC/03A	
UNLESS OTHERWISE SPECIFIED, DIMENSIONAL TOLERANCES ARE: IN [mm]	
.x ± .1 [2.54]	.xxx ± .005 [0.127]
.xx ± .01 [0.25]	ANGLES ± 5°
THIRD ANGLE PROJECTION	
DRAWING NUMBER: V10404AI-DC	
DRAWN BY BAME	DATE 3-5-07
CHK TCK	SCALE NONE
SHT 1 OF 1	
SIZE A	

D10100DA/15