

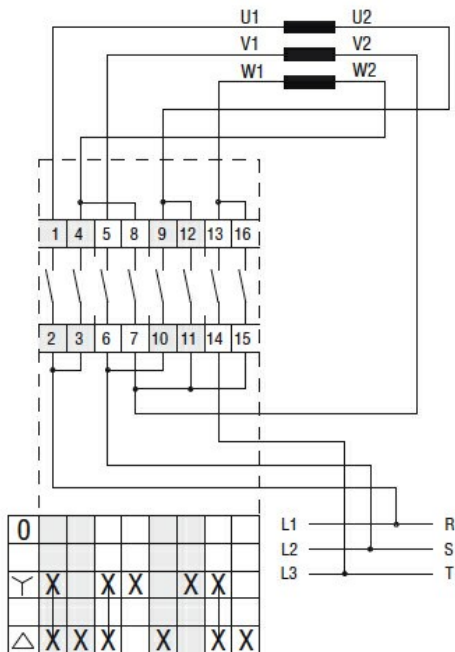
Product designation				Rotary cam switches
Product type designation				GF10
<b>General characteristics</b>				
Switching diagram				12 - Star-delta motor starter switch
N° of elements				4
Mounting form				U47 - Snap on front mounting with black handle for hole diam. 22mm finxing
<b>Contact characteristics</b>				
Rated insulation voltage $U_i$	IEC/EN	V	480	
	UL/CSA	V	240	
Rated impulse withstand voltage $U_{imp}$		kV	4	
Conventional free air thermal current $I_{th}$	IEC/EN	A	10	
	UL/CSA	A	10	
Rated operational voltage		V	480	
Rated operational impulse voltage		kV	4	
Maximum fuse size for short-circuit protection $I_n$ (gG)	10kA	A	16	
Rated short time current $I_{cw}$	1s	A	250	
Conductivity				10/5 mA/V
Operational current $I_e$ IEC/EN				
AC1/AC21A		A	10	
AC15	110V	A	5	
	220/230V	A	3	
	380/400V	A	2	
Rated operational power in AC				
Three-phase AC-3	220/230V	kW	1.5	
	380/440V	kW	2.2	
Single-phase AC-3	110V	kW	0.3	
	220/230V	kW	0.55	
	380/440V	kW	0.75	
Three-phase AC23A	220/230V	kW	1.8	
	380/440V	kW	3	
Single-phase AC23A	110V	kW	0.7	
	220/230V	kW	0.75	
	380/440V	kW	1.1	
Rated operational current in DC				
DC21A	48V	A	10	

	60V	A	7
	110V	A	2
	220V	A	0.7
	440V	A	0.2
DC13			
	24V	A	3
	48V	A	3
	60V	A	2
	110V	A	1
	220V	A	0.3
	440V	A	0.1
Power dissipation		W	0.4
<b>Mechanical features</b>			
Terminals screw			2.5M
Tightening torque for terminals max		Nm	0.4
Conductor size			
AWG - Rigid cable			
	min	AWG	20
	Max	AWG	14
AWG - Flexible cable			
	min	AWG	20
	Max	AWG	14
Conductor size (IEC) - Flexible cable			
	min	mm <sup>2</sup>	0.5
	Max	mm <sup>2</sup>	1.5
Conductor size (IEC) - Rigid cable			
	min	mm <sup>2</sup>	0.5
	Max	mm <sup>2</sup>	1.5
Mechanical life		cycles	1x10 <sup>6</sup>
<b>UL technical data</b>			
Motor power for direct-on-line control			
for three-phase motor			
	240V	HP	2
for single-phase motor			
	240V	HP	0.75
<b>Ambient conditions</b>			
Temperature			
Operating temperature			
	min	°C	-25
	max	°C	+55
Storage temperature			
	min	°C	-40
	max	°C	+70
<b>Resistance &amp; Protection</b>			
Frontal IP degree			IP40
Terminals IP degree			IP20
<b>Dimensions</b>			



Series	Dimensions		L			
	□A	E	1	2	3...8	
GF10	30	18.5	60	72	84	144
GF20	48	26.5	56	69.5	83	150.5

### Wiring diagrams



### Certifications and compliance

#### Compliance

CSA C22.2 n° 14  
IEC/EN/BS 60947-1  
IEC/EN/BS 60947-3  
IEC/EN/BS 60947-5-1  
UL60947-4-1

#### Certificates

cULus  
EAC

### ETIM classification

ETIM 8.0

EC001029 -  
Selector switch,  
complete