

TOPIX
 TOPIX NW
 TOPIX BLUE
 TOPIX WW

DEEL
 PARTIE
 TEIL
 PART
 PARTE
 PARTE

DELTA LIGHT®

A CE

L.E.B. A4

TOPIX ◇
304 17 01 ◇

◇ = A / W
 INCL. 2 x POWERLED WHITE 1W / 5500K
 EXCL. LED POWER SUPPLY - 350mA-DC
 CURRENT CONTROLLED

TOPIX NW ◇
304 17 04 ◇

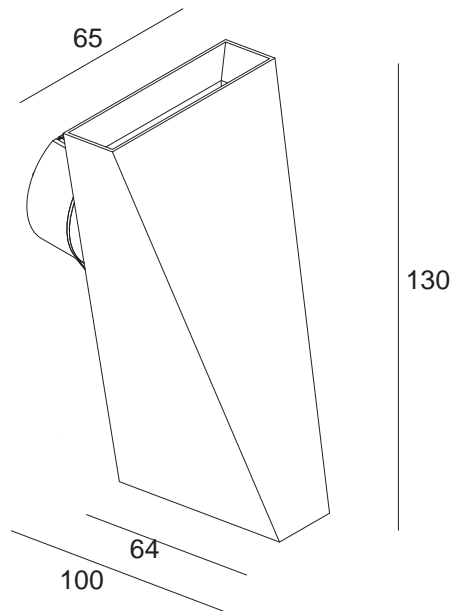
◇ = A / W
 INCL. 2 x POWERLED WHITE 1W / 4000K
 EXCL. LED POWER SUPPLY - 350mA-DC
 CURRENT CONTROLLED

TOPIX WW ◇
304 17 02 ◇

◇ = A / W
 INCL. 2 x POWERLED WHITE 1W / 3300K
 EXCL. LED POWER SUPPLY - 350mA-DC
 CURRENT CONTROLLED

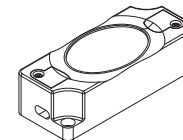
TOPIX BLUE ◇
304 17 01 BL ◇

◇ = A
 INCL. 2 x POWERLED BLUE 1W
 EXCL. LED POWER SUPPLY - 350mA-DC
 CURRENT CONTROLLED

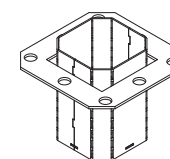


ACCESSORIES / OPTIONS:

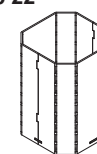
LED POWER SUPPLY - 350mA-DC
300 90 91



CONCRETE BOX 153
302 20 21



CONCRETE BOX 154
302 20 22



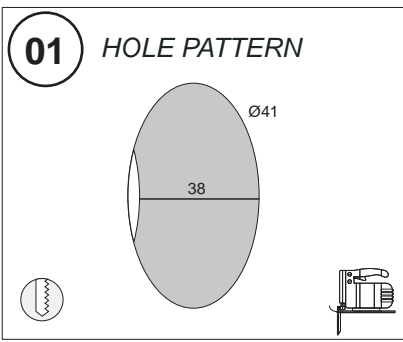
WAARSCHUWING
AVERTISSEMENT
WARNUNG
WARNING
AMMONIZIONE
EDVERTENCIA

Lees de algemene gebruiksvoorwaarden : **DEEL B**
 Lire attentivement les conditions générales d'utilisation : **PARTIE B**
 Lesen Sie die allgemeinen Gebrauchsanweisungen : **TEIL B**
 Read the general directions : **PART B**
 Leggere attentamente le condizioni generali di utilizzazione : **PARTE B**
 Leer atentamente las condiciones generales de uso : **PARTE B**



TOPIX
 TOPIX NW
 TOPIX BLUE
 TOPIX WW

INSTALLATION INSTRUCTIONS - PART A



01. MAKE HOLE PATTERN
02. MAKE THE ELECTRICAL CONNECTION
03. PLACE THE DEVICE
04. SWITCH ON



CONNECTION
BLACK = -
WHITE / RED = +

