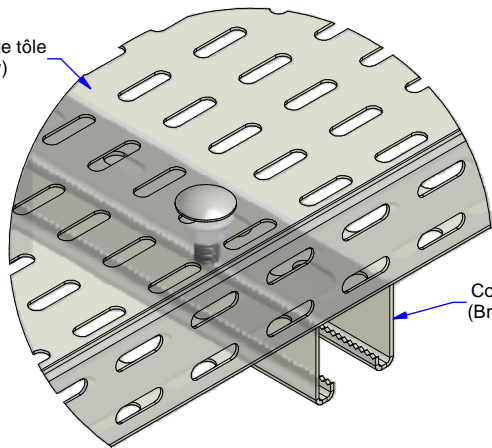


Chemin de câble tôle  
(Cable tray)



Console  
(Bracket)

Description	Code	Masse/Weight Kg/100	A mm	B mm	D mm	l./w. mm
BP TRCC M6x12 HE GM	651001	0,800	1,50	6,00	6	12
BP TRCC M6x15 HE GM	651002	0,900	1,50	6,00	6	15
BP TRCC M6x20 HE GM	651003	0,900	1,50	6,00	6	20
BP TRCC M6x30 HE GM	651132	1,100	1,50	6,00	6	30
BP TRCC M8x18 HE GM	651004	1,400	2,50	8,00	8	18
BP TRCC M10x25 HE GM	651010	3,000	3,00	10,00	10	25

**GM** : Non-electrolytic zinc flake coatings on steel. EN ISO 10683  
**GM** : Acier revêtu zinc lamellaire suivant EN ISO 10683



[www.niedaxfrance.fr](http://www.niedaxfrance.fr)

BP TRCC HE GM		
ASSISTANCE TECHNIQUE +33 (0)1 55 95 92 17 pole.technique@niedax.fr		
FT03262		