

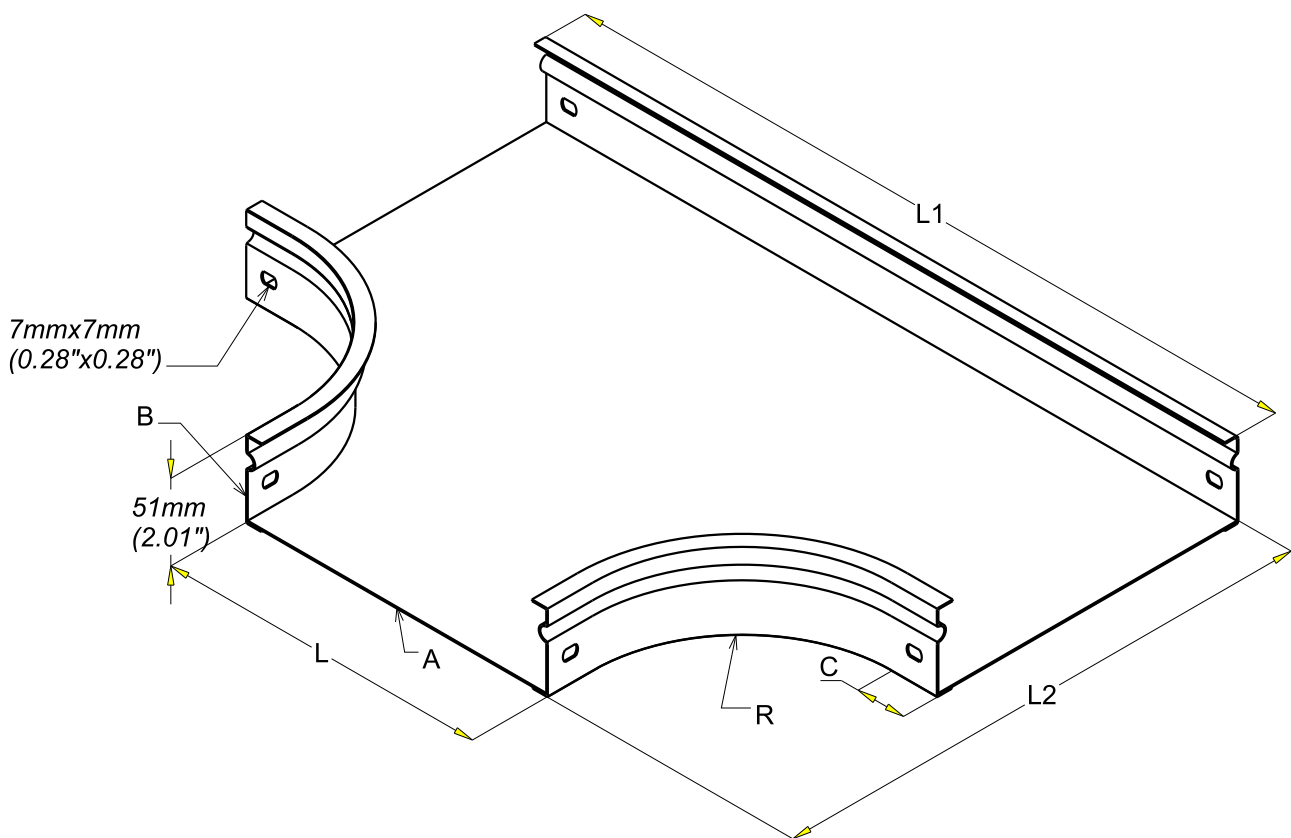
TE P31 RM H50 50 à 600  
T-PIECE P31 50x50 to 600

GC  
HDG

**legrand** | CABLE  
MANAGEMENT

FT0528-3

10 16



| REF          | CODE    | L / L1<br>(mm) (inch) | A / A1<br>(mm) (inch) | B / B1<br>(mm) (inch) | C / C1<br>(mm) (inch) | R / R1<br>(mm) (inch) | L1 / L11<br>(mm) (inch) | L2 / L21<br>(mm) (inch) |
|--------------|---------|-----------------------|-----------------------|-----------------------|-----------------------|-----------------------|-------------------------|-------------------------|
| P31 T 50x50  | 343 103 | 50 (1.97")            | 0.8 (0.032")          | 1 (0.039")            | 30 (1.18")            | 20 (0.787")           | 148 (5.83")             | 99 (3.90")              |
| P31 T 50x75  | 342 899 | 75 (2.92")            | 0.8 (0.032")          | 1 (0.039")            | 30 (1.18")            | 100 (3.94")           | 333 (13.11")            | 204 (8.03")             |
| P31 T 50x100 | 343 104 | 100 (3.94")           | 0.8 (0.032")          | 1 (0.039")            | 30 (1.18")            | 100 (3.94")           | 358 (14.11")            | 229 (9.02")             |
| P31 T 50x150 | 343 105 | 150 (5.91")           | 0.8 (0.032")          | 1 (0.039")            | 30 (1.18")            | 100 (3.94")           | 408 (16.08")            | 279 (10.99")            |
| P31 T 50x200 | 343 106 | 200 (7.87")           | 0.8 (0.032")          | 1 (0.039")            | 30 (1.18")            | 100 (3.94")           | 458 (18.05")            | 329 (12.96")            |
| P31 T 50x300 | 343 107 | 300 (11.81")          | 1 (0.039")            | 1 (0.039")            | 30 (1.18")            | 100 (3.94")           | 558 (21.99")            | 429 (16.90")            |
| P31 T 50x400 | 343 108 | 400 (15.75")          | 1 (0.039")            | 1 (0.039")            | 50 (1.97")            | 150 (5.91")           | 798 (31.44")            | 599 (23.60")            |
| P31 T 50x500 | 343 109 | 500 (19.69")          | 1 (0.039")            | 1 (0.039")            | 50 (1.97")            | 150 (5.91")           | 898 (35.38")            | 699 (27.54")            |
| P31 T 50x600 | 343 110 | 600 (23.62")          | 1 (0.039")            | 1 (0.039")            | 50 (1.97")            | 150 (5.91")           | 998 (39.29")            | 799 (31.46")            |

| Material | Standard    | Finishes | Standard                             |
|----------|-------------|----------|--------------------------------------|
| S 235 JR | EN 10 025-2 | HDG      | Class 6<br>according to<br>CEI 61537 |

Propriété exclusive de LEGRAND, ne peut être ni copié, ni transmis à des tiers sans autorisation écrite.

Exclusive property of LEGRAND shouldn't be reproduced or transmitted to any people without written authorization