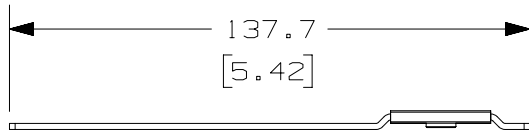
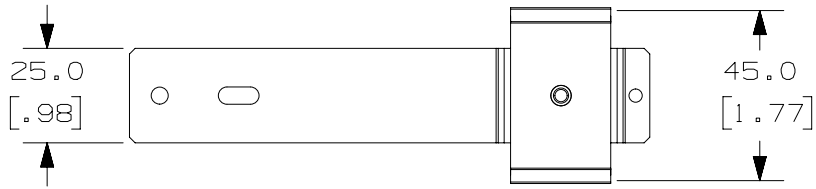
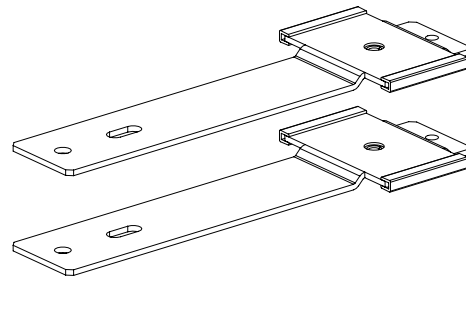


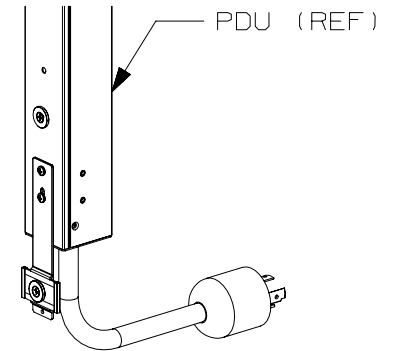
THIS COPY IS PROVIDED ON A RESTRICTED BASIS AND IS NOT TO BE USED IN ANY WAY DETRIMENTAL TO THE INTERESTS OF PANDUIT CORP.



ISO VIEW
ADAPTER BRACKET



ADAPTER KIT



ADAPTER BRACKET
ASSEMBLED TO PDU
SCALE: NONE

PANDUIT P/N	WEIGHT
MA013	0.06 kg .14 LBS

NOTES:

- VISIT OUR ON-LINE CATALOG AT WWW.PANDUIT.COM FOR A LIST OF CURRENT PARTS APPLICABLE FOR USE WITH THIS PRODUCT.
- PRIMARY DIMENSIONS ARE IN MILLIMETERS (mm). SECONDARY DIMENSIONS ARE IN INCHES [IN].
- PARTS SUPPLIED:
 (2) - ADAPTER FOR STANDARD PDU
 (4) - M4X0.5 X 5.0 BUTTON HEAD FINE SCREW
 (2) - M4X0.7 X 8.0 FLAT HEAD MACHINE SCREW
 (1) - INSTALLATION INSTRUCTION SHEET

REV	DATE	BY	CHK	APR	DESCRIPTION	ECN
01A	11/29/17	NILI	GLM	JAWI	METALWORK MODIFIED, NOTES UPDATED	00102FCA
00A	7-12-17	LEE	MCIS		RELEASED TO PRODUCTION	V09001HT/02

TITLE		STANDARD ADAPTER KIT - MA013	
ITEM REVISION NAME		CUSTOMER DRAWING	
DATASET FILE NAME		00102FCA/01	PANDUIT
		00102FCA_DC_01A	
MATERIAL:		N/A	
DRAWING NUMBER:		00102FCA_DC	
DRAWN BY	DATE	CHK	SCALE
LEE	7-12-17	MSIC	1:2
THIRD ANGLE PROJECTION		SHT 1 OF 1	
SIZE		A	

D10100DA/16