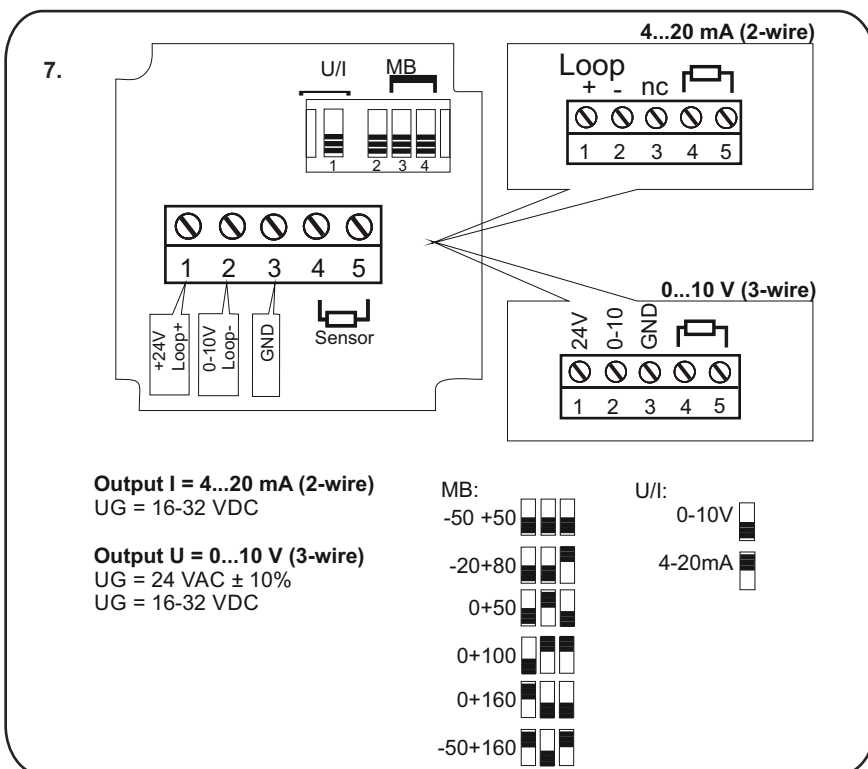
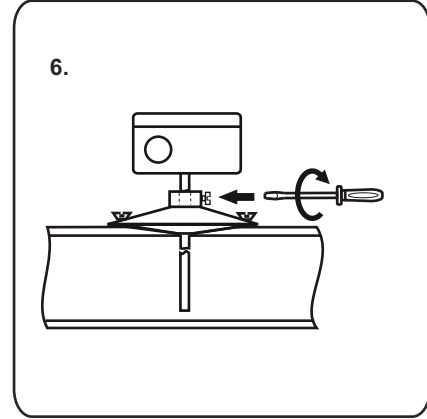
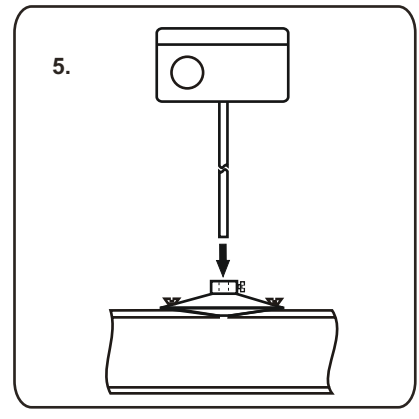
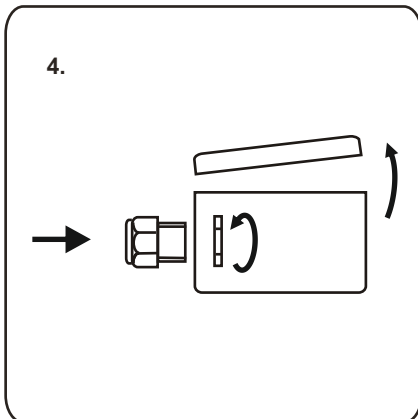
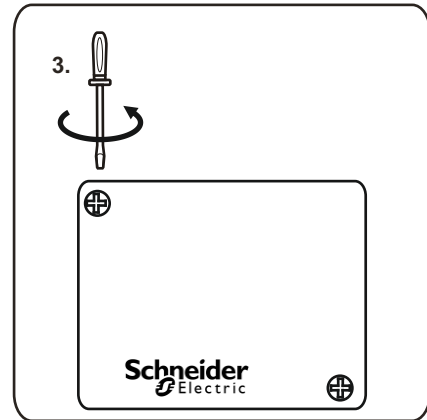
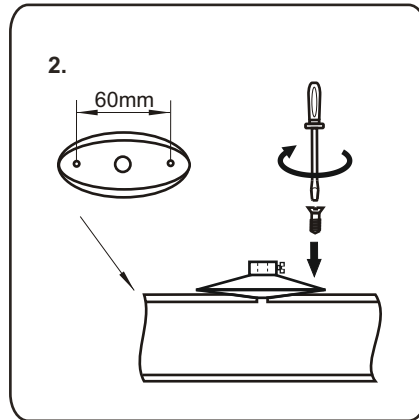
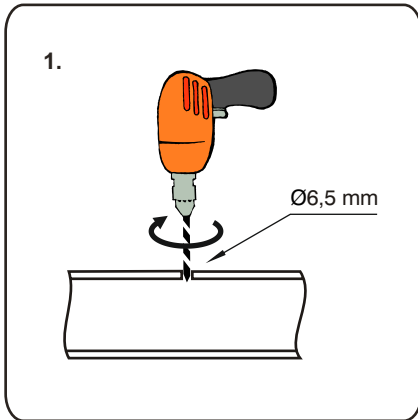


STD300

Installation

Duct temperature transmitter
 Kanal temperaturtransmitter
 Kanaltemperaturmeßumformer
 Convertisseur de sonde de gaine
 Transmisor de temperatura canal
 Transformatore temperatura a canale

Instruction
 Montageanvisning
 Bedienungsanleitung
 Instructions d'installation
 Instrucciones de empleo
 Istruzioni per installazioni



8.
 Attention! Unscrew terminal block before connecting wires.
 OBS! Lossa plintskruven innan du ansluter.
 Achtung! Vor dem Anschließen Klemmblock lösen.
 Attention! Avant la connexion bornier dissoudre.
 Atencion! Antes de conectar suelte el bloque de terminales.
 Attention! Prima di conettere avvitare il morsetto.

STD300

Installation

Duct temperature transmitter
Kanal temperaturtransmitter
Kanaltemperaturmeßumformer
Convertisseur de sonde de gaine
Transmisor de temperatura canal
Transformatore temperatura a canale

Instruction
Montageanvisning
Bedienungsanleitung
Instructions d'installation
Instrucciones de empleo
Istruzioni per installazioni

Schneider
Electric



部件名称 Part Name	有害物质 - Hazardous Substances					
	铅 (Pb)	汞 (Hg)	镉 (Cd)	六价铬 (Cr (VI))	多溴联苯 (PBB)	多溴二苯醚 (PBDE)
金属部件 Metal parts	○	○	○	○	○	○
塑料部件 Plastic parts	○	○	○	○	○	○
电子件 Electronic	X	○	○	○	○	○
触点 Contacts	○	○	○	○	○	○
线缆和线缆附件 Cables & cabling accessories	○	○	○	○	○	○

本表格依据SJ/T11364的规定编制。

O: 表示该有害物质在该部件所有均质材料中的含量均在GB/T 26572规定的限量要求以下。

X: 表示该有害物质至少在该部件的某一均质材料中的含量超出GB/T 26572规定的限量要求。

(企业可在此处, 根据实际情况对上表中打的技术原因进行进一步说明。)



This table is made according to SJ/T 11364.

O: indicates that the concentration of hazardous substance in all of the homogeneous materials for this part is below the limit as stipulated in GB/T 26572.

X: indicates that concentration of hazardous substance in at least one of the homogeneous materials used for this part is above the limit as stipulated in GB/T 26572