

# Philips Decoscene LED BBP62I

## Mounting instructions

Instructions de montage  
Montageanleitung  
Montage instruktie  
Istruzioni di montaggio

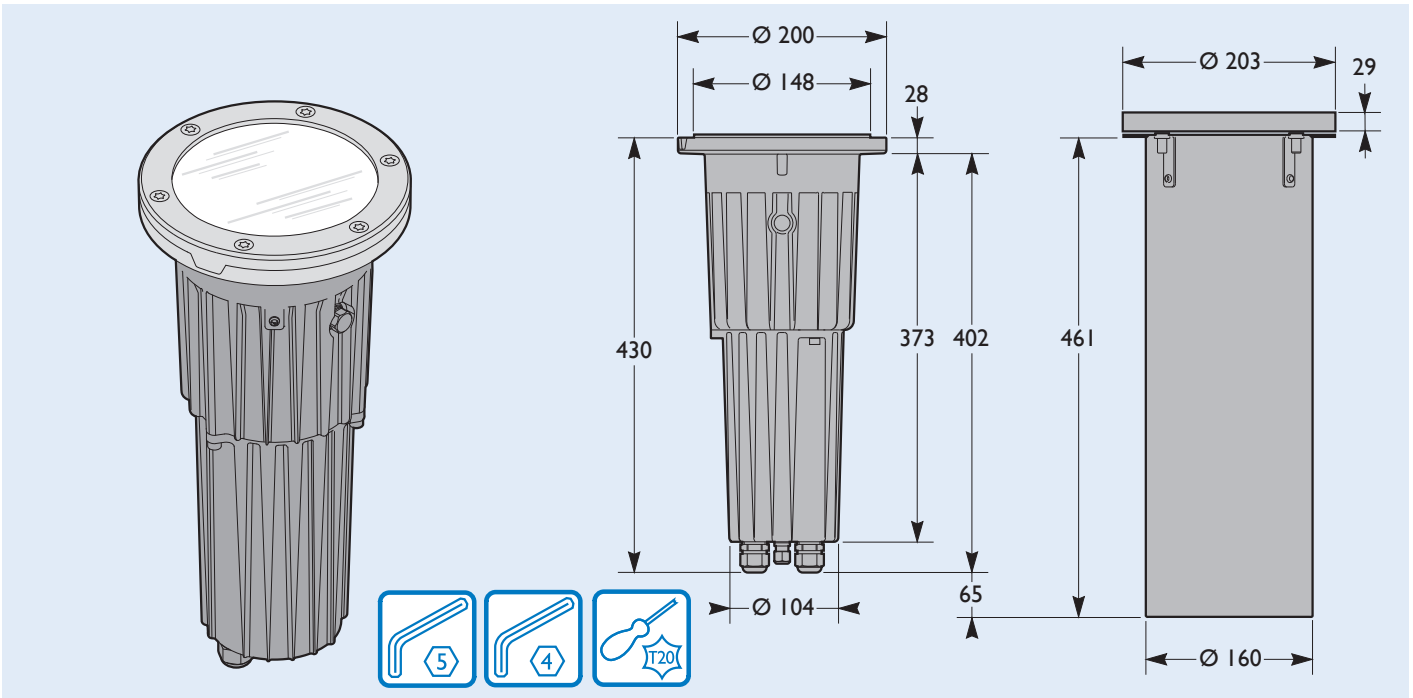
Instrucciones de montaje  
Instruções de montagem  
Monteringsinstruktioner  
Monteringsvejledning

Kokoonpano- ja kiinnitysohjeet  
Montaj yönergeleri  
Οδηγίες συναρμολόγησης  
Instrukcja montażu

Szerelési utasítások  
Návod k montáži  
Монтажная инструкция



| BBP 62I | COL<br>OUR |     | Glass<br>T °C |   |   |     |       |       |       |         |        | W |  |
|---------|------------|-----|---------------|---|---|-----|-------|-------|-------|---------|--------|---|--|
|         | 2700       | RG1 | 60°C          | ● | ● | 5.2 | +25°C | -20°C | +35°C | 28 max. | 5000 N |   |  |
|         | 4000       | RG1 | 60°C          | ● | ● | 5.2 | +25°C | -20°C | +35°C | 28 max. | 5000 N |   |  |
|         | GR         | RG2 | 60°C          | ● | ● | 5.2 | +25°C | -20°C | +35°C | 28 max. | 5000 N |   |  |
|         | BL         | RG2 | 60°C          | ● | ● | 5.2 | +25°C | -20°C | +35°C | 28 max. | 5000 N |   |  |
|         | RD         | RG2 | 60°C          | ● | ● | 5.2 | +25°C | -20°C | +35°C | 28 max. | 5000 N |   |  |
|         | RGB        | RG2 | 60°C          | ● | ● | 5.2 | +25°C | -20°C | +35°C | 28 max. | 5000 N |   |  |
|         | TWH        | RG2 | 60°C          | ● | ● | 5.2 | +25°C | -20°C | +35°C | 28 max. | 5000 N |   |  |



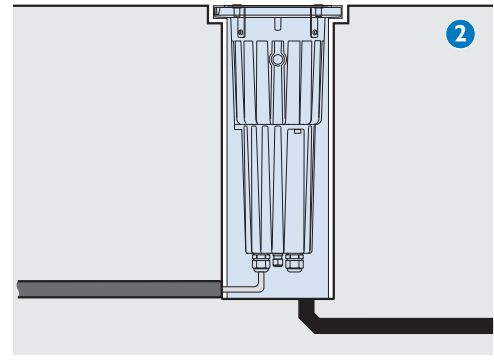
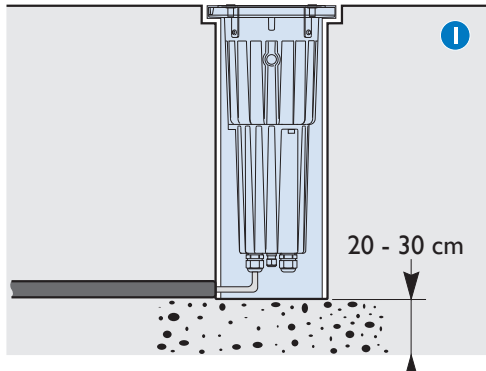
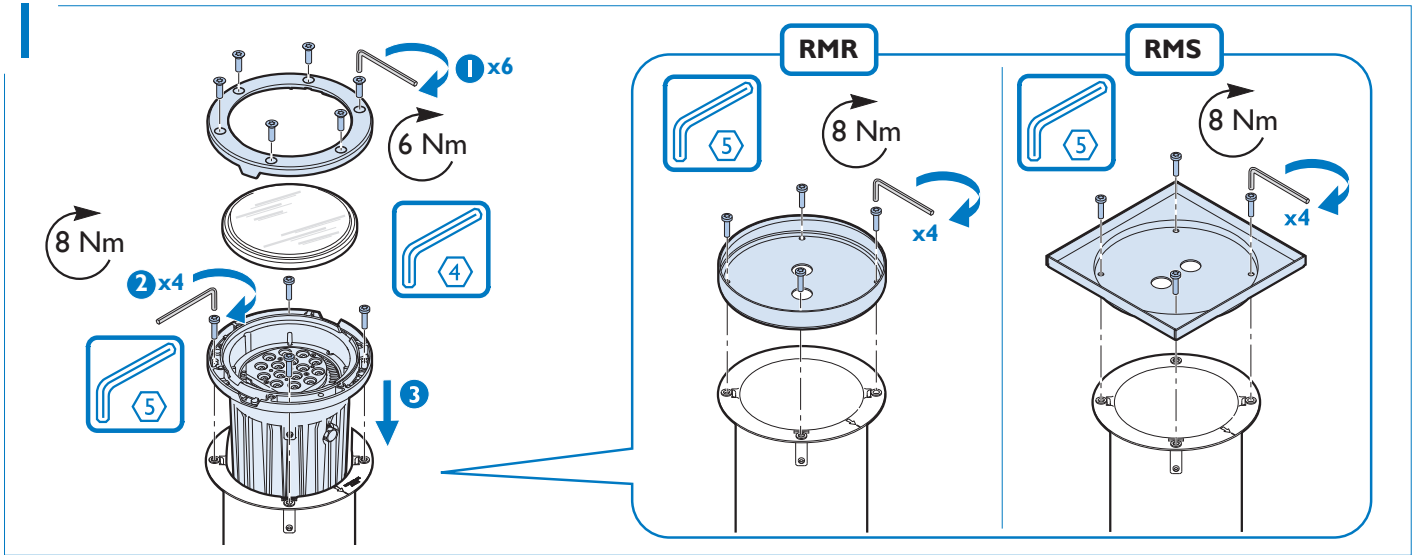
Risk Group 2: CAUTION Retinal Blue Light: do not stare at operating LED module, may be harmful to the eyes.

100 - 277V  
50 - 60Hz

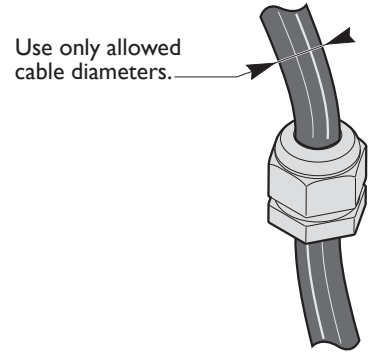
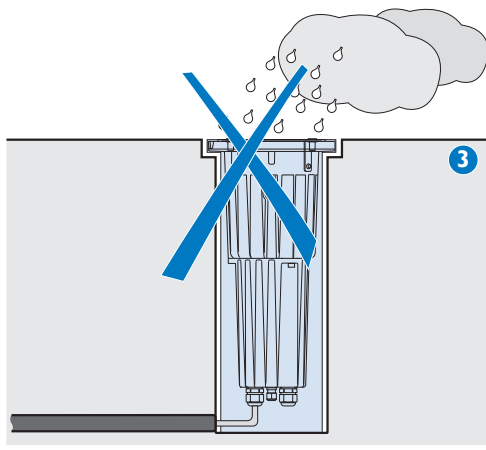
INRUSH  
CURRENT  
35 A / 350 μs

OFF

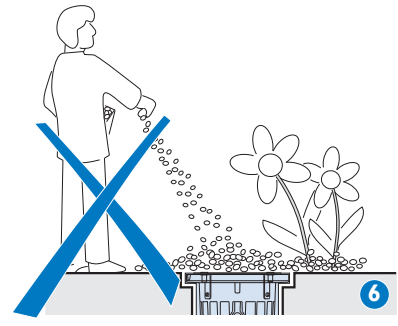
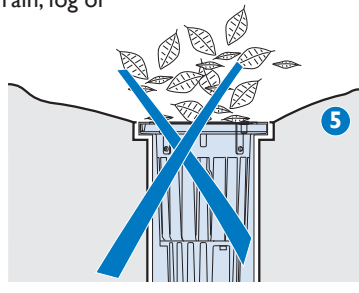
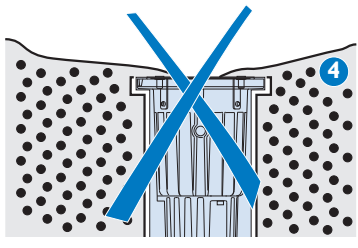
Disconnect before servicing  
Mettre hors tension avant intervention  
Öffnen nur spannungsfrei  
Demontieren voor onderhoud  
Togliere tensione prima di fare manutenzione  
Desconectar antes de manipular  
Bryt strömmen före lampbyte



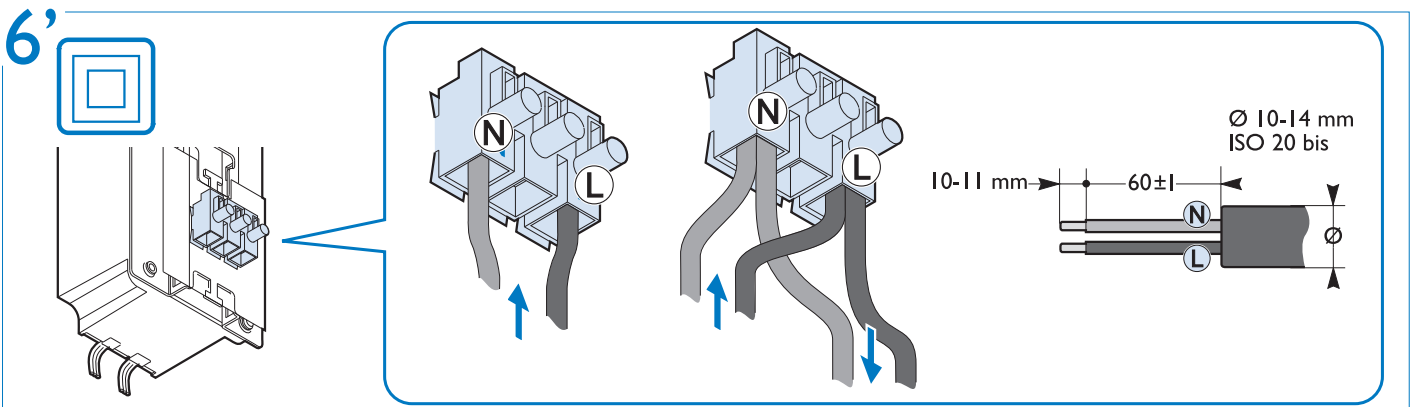
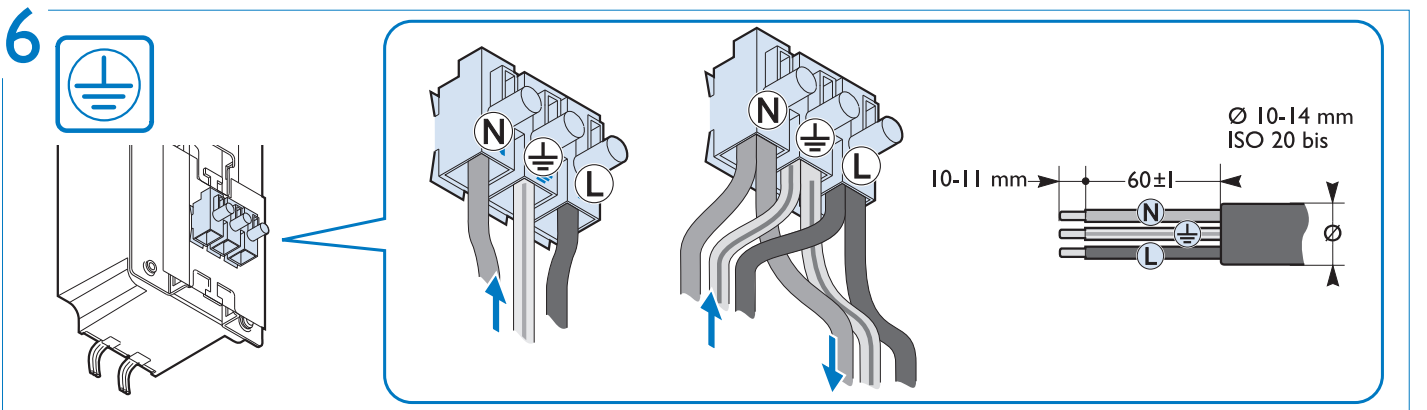
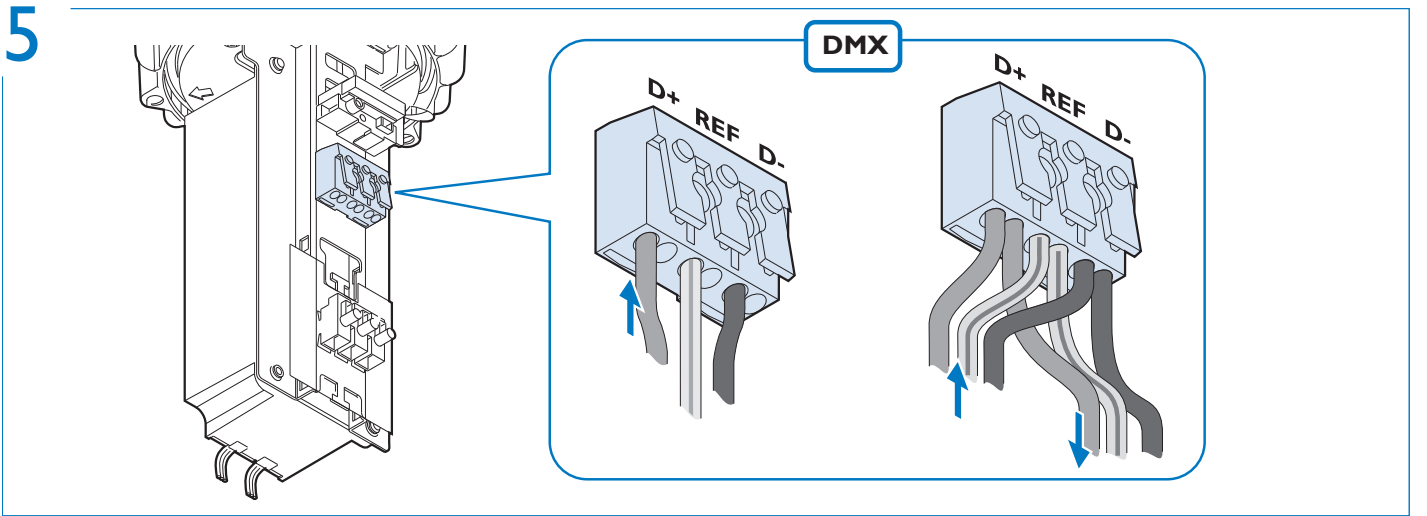
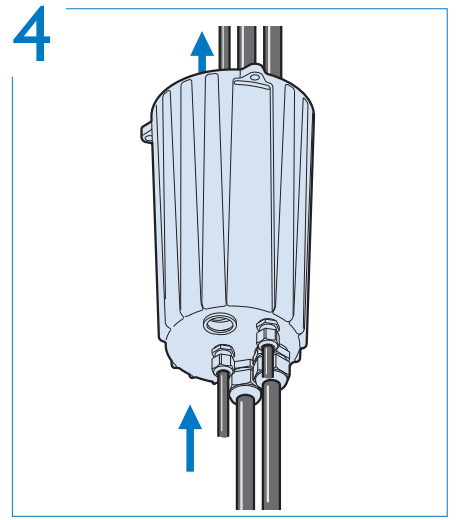
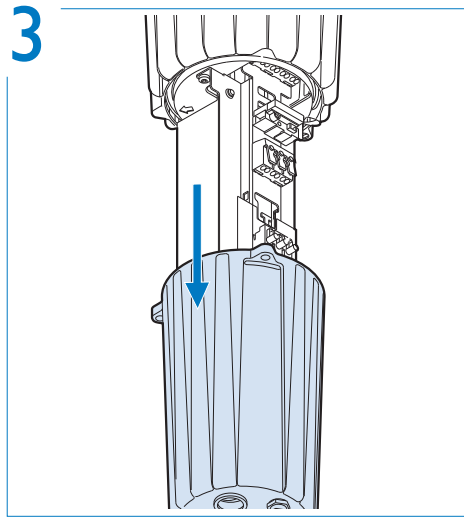
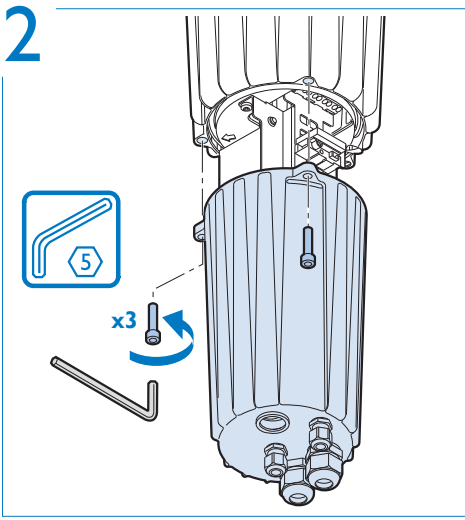
Prepare always 20 - 30 cm of drainage gravel and check that it works: fill the tube of water and check that it completely disappears within 30 min. If it doesn't work study a further drainage system (2).

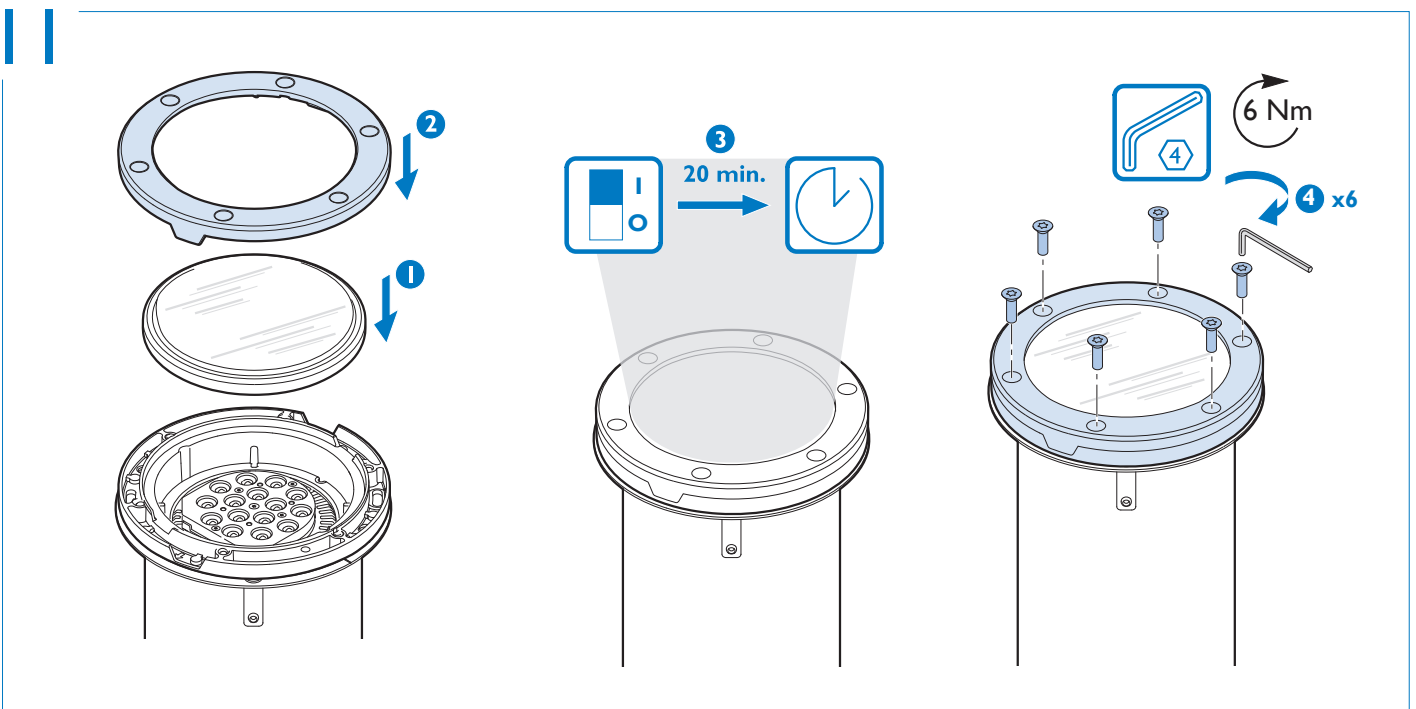
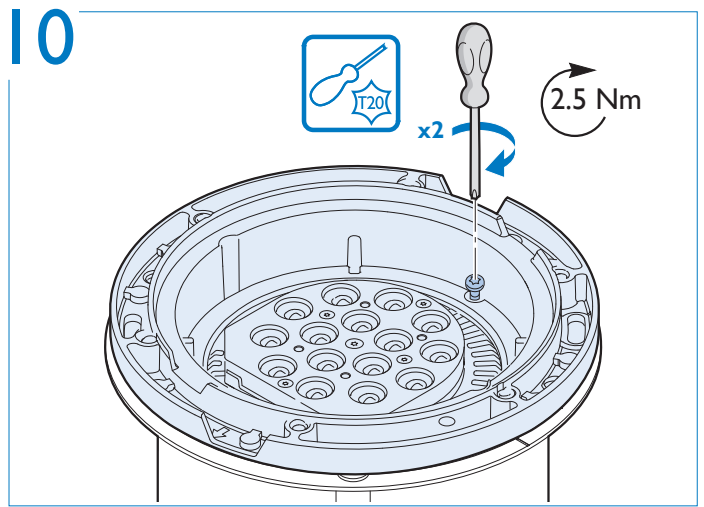
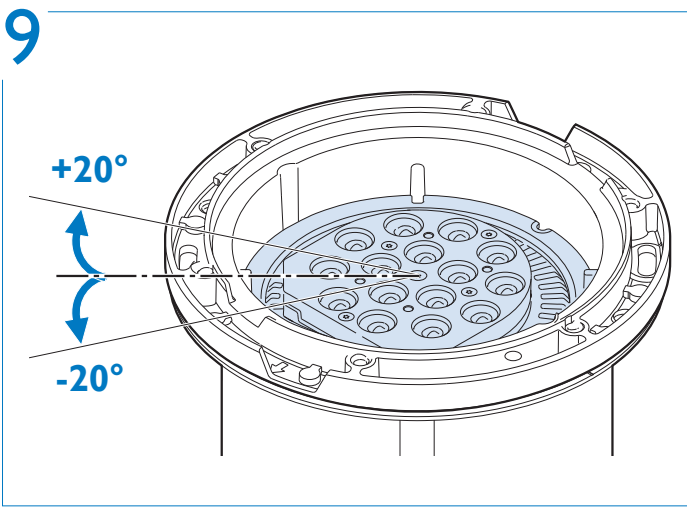
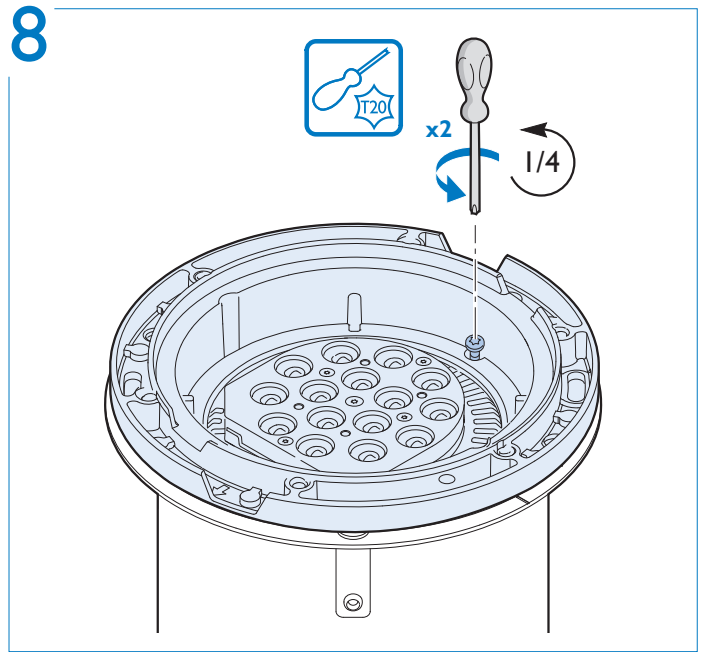
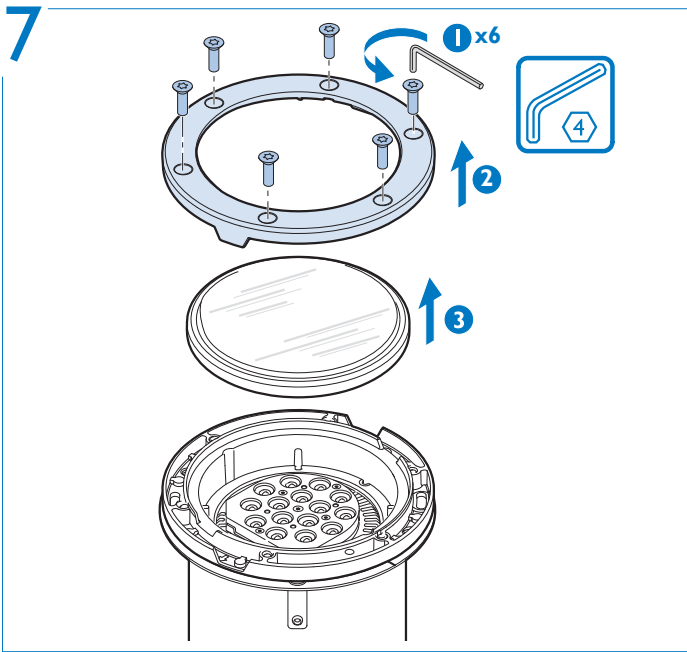


Never install the fittings in case of rain, fog or high humidity.



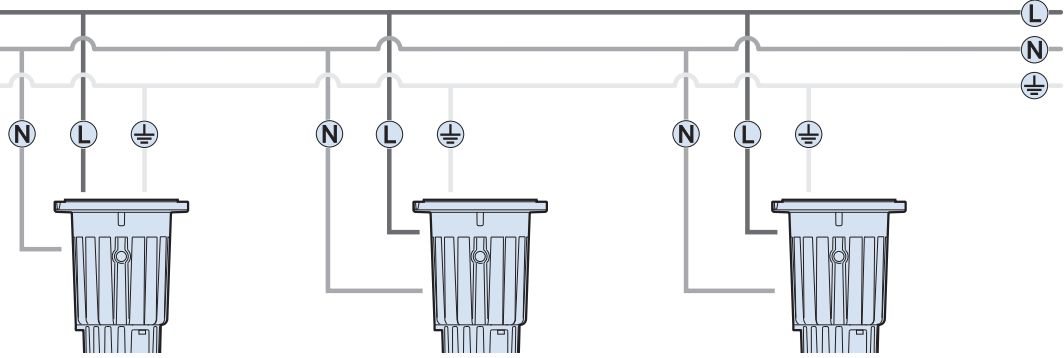
Never cover visible parts of the fitting. Any part not protected by the recessing box, must not be in direct contact with the ground or in contact with aggressive chemical elements (ex. fertilisers, herbicides, lime (6)).





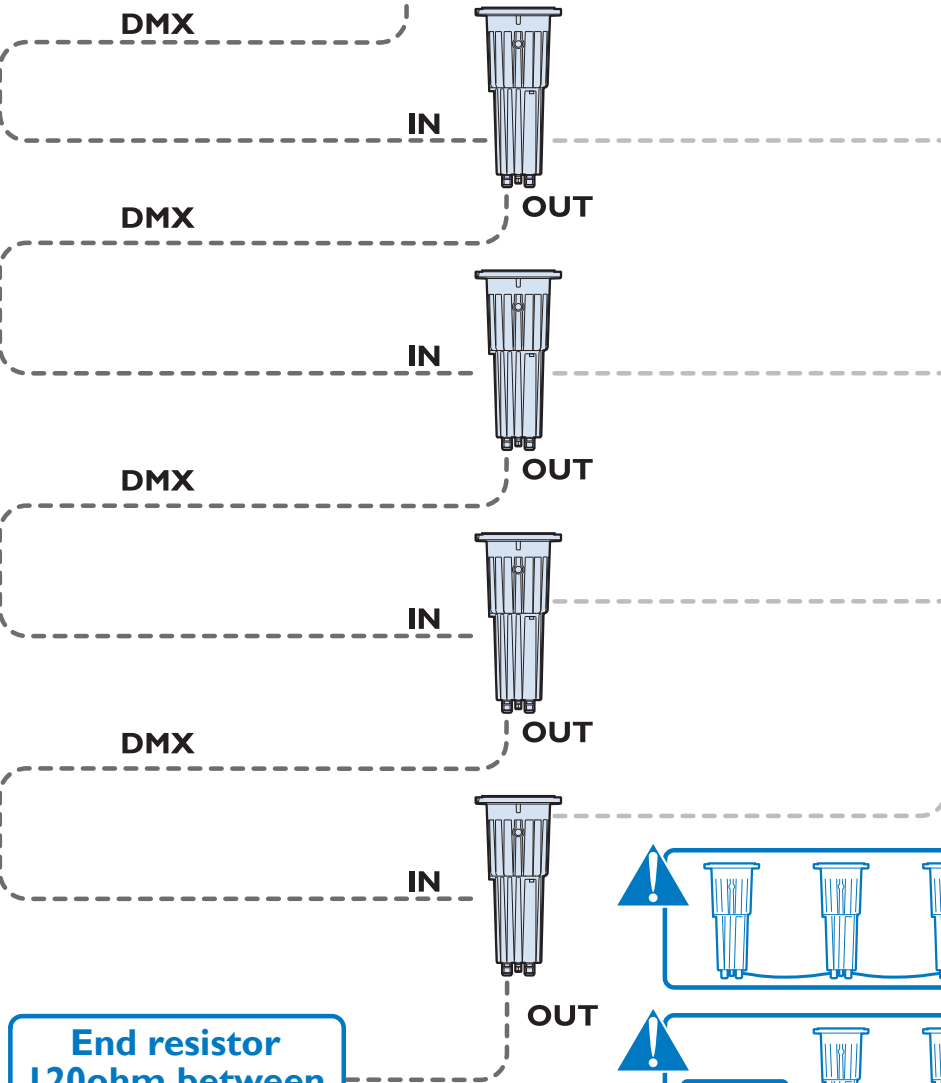


230 Vac

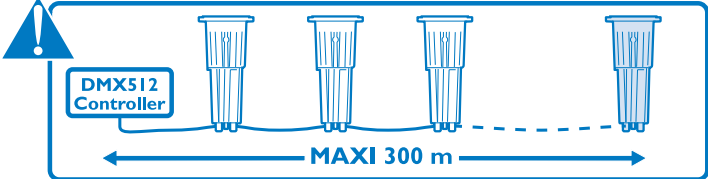
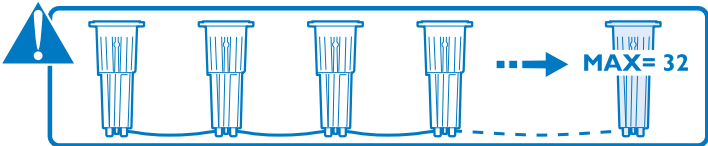


DMX512 Controller

230 Vac

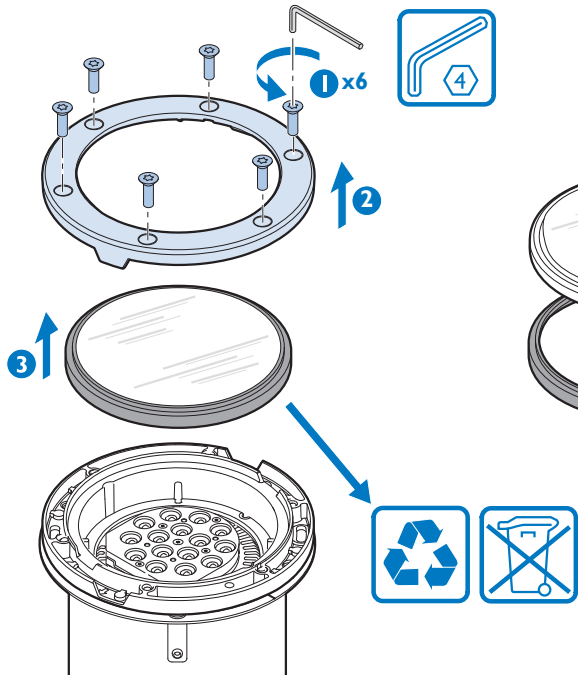


End resistor  
120ohm between  
data+ and Data-

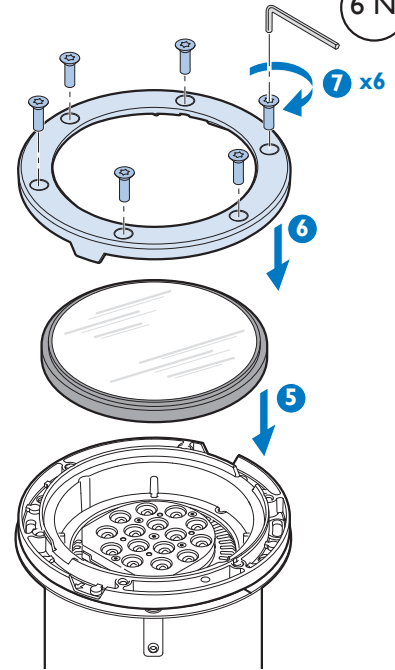




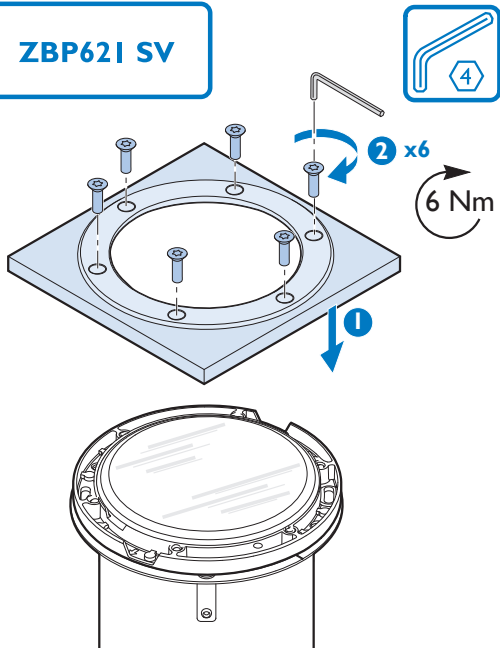
**ZBP62IGF SVP  
ZBP62IGC-AS**



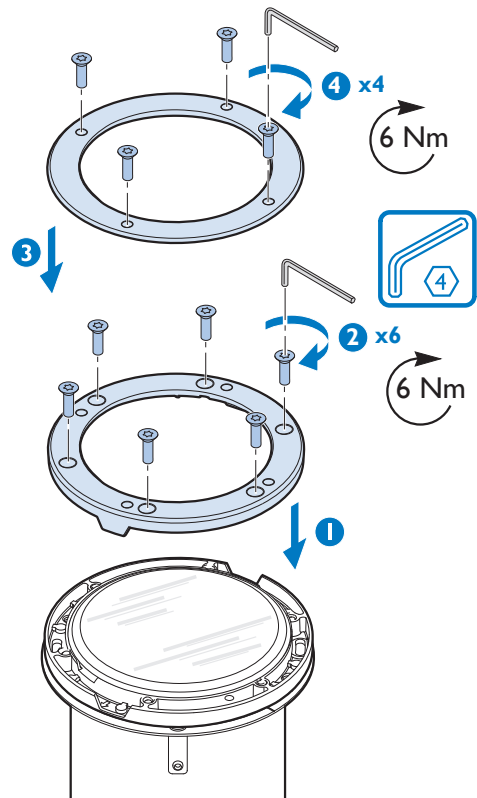
6 Nm



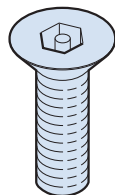
**ZBP62I SV**



**ZBP62I DR**



**ZBP62I SVP**



| Intended usage   | Temperature<br>T<br>°C<br>(a) | Height<br>H<br>mm<br>(b) | Static<br>load<br>kN<br>(c) |
|--|-------------------------------|--------------------------|-----------------------------|
| 1 - In normally non-accessible areas<br>(according to Wiring Rules)            | <b>X</b>                      | <b>X</b>                 | <b>X</b>                    |
| 2 - In restricted accessible areas<br>(e.g. pedestrians and pedal cycles only) | <b>60</b>                     | <b>0 (d)</b>             | <b>5</b>                    |

NOTE: Care should be taken regarding the compatibility between particular environments and luminaire construction, e.g. for the presence of de-icing agents, salt atmosphere, etc.

(a) Maximum value, see 13.3.2 and 13.12.

(b) Maximum value, see Fig. I. From 0 to 75 mm, the top side protruding over the ground should have a slope of  $\alpha_{\max} = 35^\circ$ , with vertex at 3 mm out of the edge (for a suitable chamfering).

(c) Minimum value, see 13.6.1.

(d) Up to 5 mm in these areas and up to 25 mm when installed in no-walking places, e.g., close to walls, buildings, etc.

