

Fiche produit

Article n° 02.123.7101.0

contact femelle 0,75-1 QMM AU



Article n°	02.123.7101.0
EAN	4015573677302
Unité de commande	200 Piece(s)

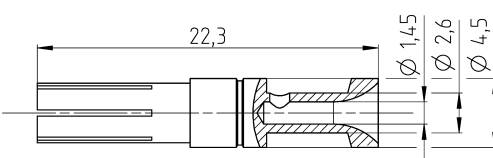

certificats/approbations

Données techniques

**général**

Model	raccordement bus
longueur de fil	7 mm
section du conducteur souple Min.	0,75 mm <sup>2</sup>
section du conducteur souple Max.	1 mm <sup>2</sup>
diamètre Min. du câble souple UL/CSA	18 AWG
diamètre Max. du câble souple UL/CSA	18 AWG
Type de connexion	Crimp
matériel	Laiton
Contact Massif	Oui
Diamètre du contact	2,5 mm
Surface	Doré
classe d'inflammabilité des matériaux d'isolation selon la norme UL94	Autre
Résistance de contact	≤ 1,5 mOhm

**Dessin technique**

<p style="font-size: 8px;">             1000 New drawings will be specific (sheet of delivery)              1001 New drawings and development details (sheet)              1002 New drawings and development details (sheet)              1003 New drawings and development details (sheet)              1004 New drawings and development details (sheet)              1005 New drawings and development details (sheet)              1006 New drawings and development details (sheet)              1007 New drawings and development details (sheet)              1008 New drawings and development details (sheet)              1009 New drawings and development details (sheet)              1010 New drawings and development details (sheet)           </p>		 <p style="text-align: center;">1:1</p>										
	<p>VPE: 200 packaging unit: 200</p>											
		<table border="1" style="width: 100%; border-collapse: collapse;"> <thead> <tr> <th>Teilenummer part number</th> <th>Oberfläche surface</th> </tr> </thead> <tbody> <tr> <td>02.123.7101.0</td> <td>vergolde/ gold-plated</td> </tr> <tr> <td>02.123.7101.7</td> <td>versilbert/ silver-plated</td> </tr> <tr> <td>02.123.7102.0</td> <td>verzinkt/ tin-plated</td> </tr> </tbody> </table>	Teilenummer part number	Oberfläche surface	02.123.7101.0	vergolde/ gold-plated	02.123.7101.7	versilbert/ silver-plated	02.123.7102.0	verzinkt/ tin-plated		
Teilenummer part number	Oberfläche surface											
02.123.7101.0	vergolde/ gold-plated											
02.123.7101.7	versilbert/ silver-plated											
02.123.7102.0	verzinkt/ tin-plated											
<p>Weitere Daten siehe KATALOG oder eKatalog additional data see CATALOG or eCATALOG</p>		<p><a href="http://www.wieland-electric.com">www.wieland-electric.com</a> <a href="http://eshop.wieland-electric.com">eshop.wieland-electric.com</a></p>										
<p style="font-size: 8px;">             Tolerierung Size ISO 14405 © / Tolerance system Size ISO 14405 ©              (This ISO-standard describes the envelope principle. According to the envelope principle the deviations of form and parallelism are limited by the size tolerances)              Freitoleranz nach General tolerance           </p>		<p style="font-size: 8px;">             jstyes <input checked="" type="checkbox"/> Stoffverfalls- und Deklarationsliste nach DIN 54001.010 ist enthalten              (Conformity with Wieland document NW 5020.010 e (list of prohibited / degradable hazardous substances) to be declared)              [A0 - Zeichnung, keine manuellen Änderungen allowed / A0 - drawing, no manual modifications allowed] <input type="checkbox"/> Verwendung first use Blatt: 1 von 1 Sheet: 1 of 1           </p>										
	<table border="1" style="width: 100%; border-collapse: collapse;"> <thead> <tr> <th>Werkstoff / Material</th> <th>Legende</th> <th>Name</th> <th>Zeichnung Nr. / Drawing No.</th> <th>Index</th> </tr> </thead> <tbody> <tr> <td>5:1</td> <td>Zeichnung Standart Werkstoff</td> <td>Schnitt 1</td> <td>T 02.123.7101.0 13K</td> <td></td> </tr> </tbody> </table>	Werkstoff / Material	Legende	Name	Zeichnung Nr. / Drawing No.	Index	5:1	Zeichnung Standart Werkstoff	Schnitt 1	T 02.123.7101.0 13K		
Werkstoff / Material	Legende	Name	Zeichnung Nr. / Drawing No.	Index								
5:1	Zeichnung Standart Werkstoff	Schnitt 1	T 02.123.7101.0 13K									
	<p>Maße in mm / Dimensions are in mm</p>											
	<p>www.wieland.com</p>	<p>BUCHSENKONTAKT female clamp body 1,0qmm</p>										
	<p>www.wieland-electric.com</p>	<p>REVOS</p>										
		<p>6 QU-MEE-01/14 a</p>										