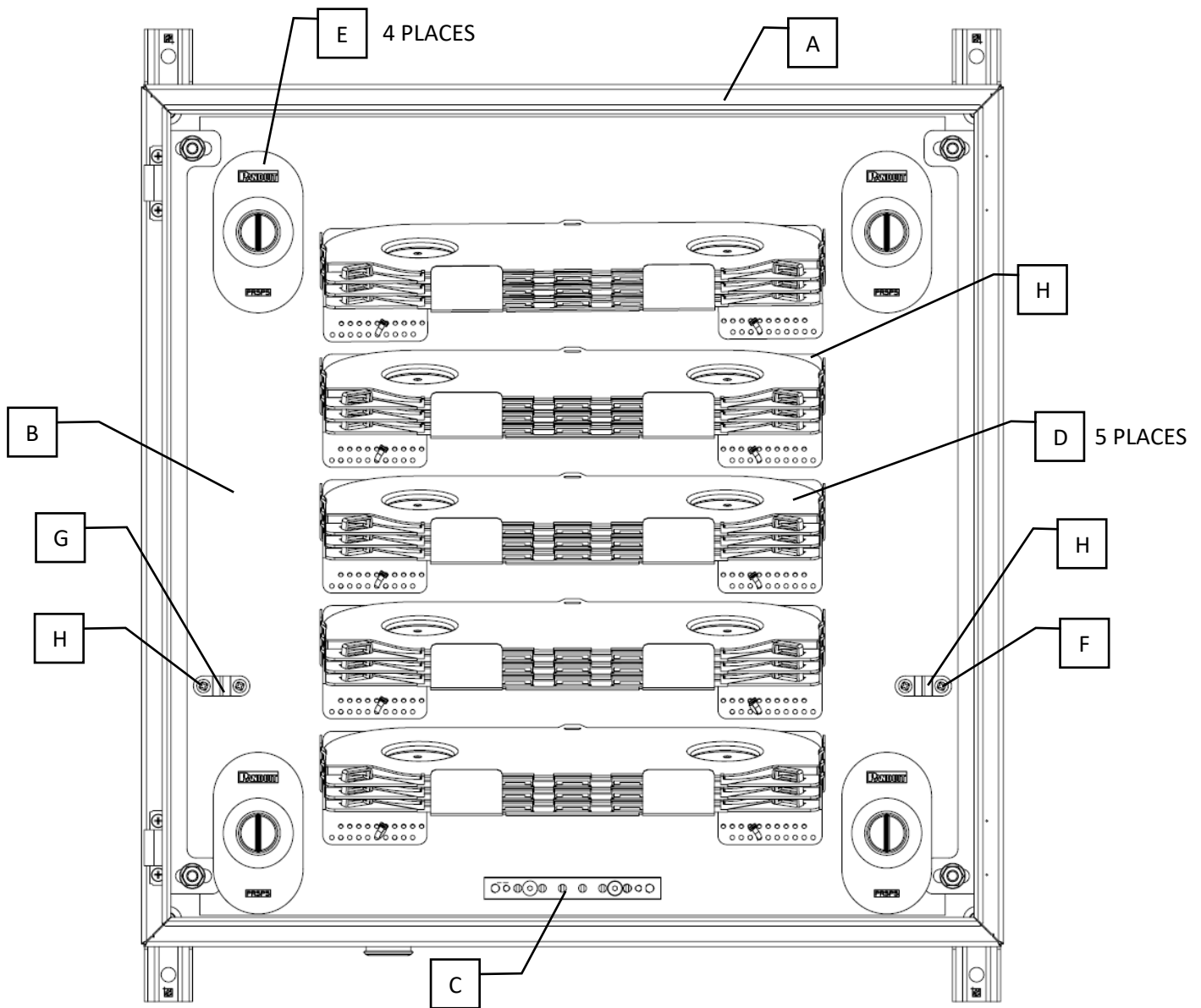


TABLE OF CONTENTS

Overview of Products	Page	2
Specifications / Tools Needed	Page	3
Safety Information / Warnings	Page	4
Wall Mounting Bracket Installation	Page	5
Wall Mounting	Page	6
Reversible Door	Page	7

Recommended Installation Instructions for:

Incoming Horizontal Fiber Routing	Page	8
Outgoing Horizontal Fiber Routing	Page	8
Zone Enclosure Rings	Page	8



- A). 24" x 24" Enclosure
- B). Preconfigured Back Panel
- C). Ground Bar
- D). Fiber Optic Splice Module (FOSM)
- E). PatchRunner® Slack Spool
- F). Mounting Screws and Lock washers
- G). Strain Relief Clamp
- H). FOSM Mounting Bracket

Preconfigured Fiber Termination Enclosure Specifications			
Enclosure Rating	UL Type 4/12 and IP66 (IEC 60529), NEMA 4X for stainless		
Installation	Wall mount with optional outside-mount flange		
Dimensions	Height	Width	Depth
	24" (610 mm)	24" (610 mm)	11.7" (297 mm)
Weight	75 lbs. (34.0 kg)		

Tools and supplies needed to complete install of Preconfigured Zone System: (not included)

- Fiber-optic trunk cable
- Fiber-optic splicing tool
- NEMA 4/4X/12 bulkhead glands for incoming fiber trunk
- Tools to cut enclosure sidewalls: Greenlee punch or similar
 - 5/16" bolts for wall mounting of steel enclosure
- #6 AWG Infrastructure ground cable: RGEJ660PF or similar
 - 3/8" bolts for wall mounting of enclosure
 - 3/8" socket or box wrench ground bar

SAFETY INFORMATION

The information and instructions contained in this document are not intended to be utilized as a substitute for proper training and experience in the safe installation and operation of product. Prior to installation, it is the Buyer's responsibility to consult with the appropriate local Authority Having Jurisdiction (AHJ) for all applicable codes, permits, regulations, and standards. This product, including any equipment that may be installed inside, should only be installed and serviced by a licensed electrical contractor, or competent technician, that meets the following qualifications:

- Is thoroughly familiar with this product and the instructions for installation and operation
- Is trained (accredited) in industry-accepted safe operating practices and procedures regarding identification and mitigation of high – and low – voltage hazards and situations.
- Is trained and authorized to energize, de-energize, clear, and ground power distribution equipment.
- Is trained in the care and use of appropriate PPE (personal protective equipment) including, but not limited to: arc-flash protective clothing, safety glasses, face shield, hard hat, gloves, and non-conductive tools (clamp stick, hot stick, etc.).

WARNING



Be sure wall is capable of supporting cabinet and equipment.

DISCLAIMER OF WARRANTIES AND LIMITATION OF LIABILITIES

The practices contained herein are designed as a guide for use by persons having technical skill at their discretion and risk. Panduit does not guarantee any favorable results or assume any liability in connection with these instructions. Local, State, Federal, and Industry Codes and Regulations, as well as manufacturers requirements, must be consulted before proceeding with any project. Panduit Corp. makes no representations of nor assumes any responsibility for the accuracy or completeness set forth herein. Panduit disclaims any liability arising from any information contained herein or for the absence of same.

Wall Mounting Feet Installation

Note: The enclosure may be mounted to the wall without the mounting feet.

Step 1: Turn enclosure on its side with the locks oriented toward the top. Using Latch Tool, turn both locks toward each other to open door.

Step 2: Install Wall Mounting Feet into back to the enclosure aligning threaded studs on feet to holes located in back of the enclosure.

Step 3: Secure wall mounting feet using the supplied sealing washers – use (1) per threaded stud. Thread nut onto stud and tighten to 200 in-lbs.

Step 4: Close Door. Using Latch Tool, turn both locks to secure the door.

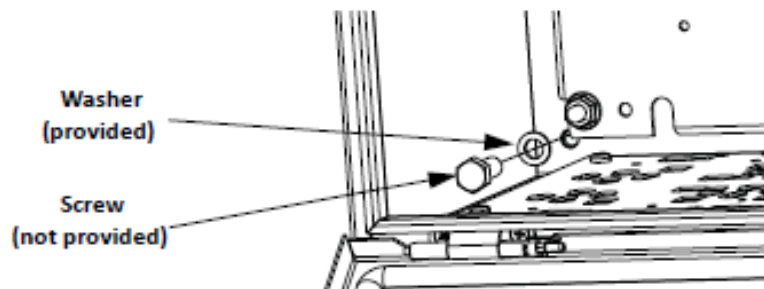
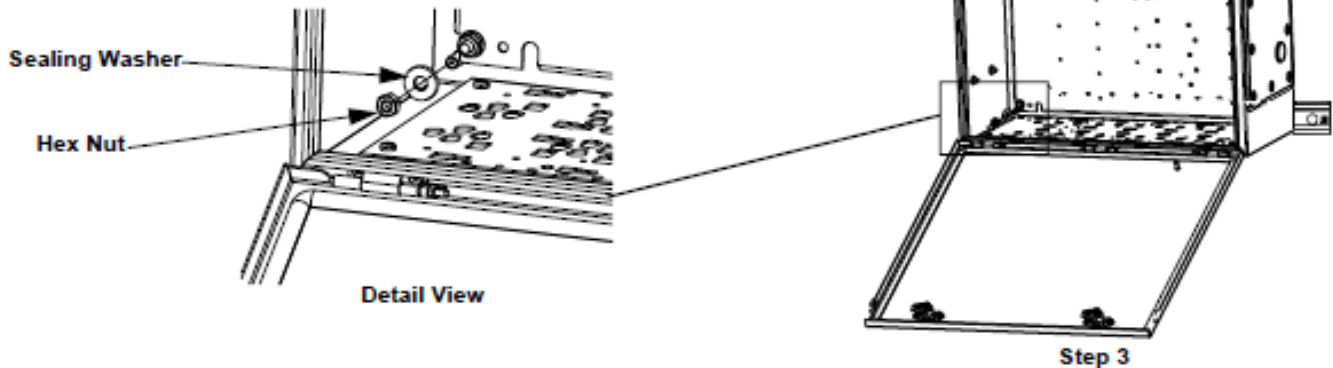
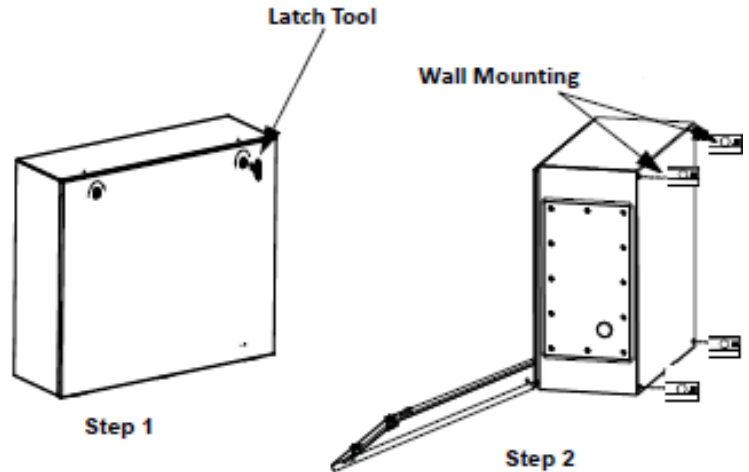
***To maintain NSF certification, seal perimeter between mounting feet and mounting surface with silicone rubber sealant.**

If Mounting Feet are not used:

For Steel Enclosure: Use 5/16" Sealing Washer (supplied) and a 5/16" Bolt (not supplied) in the locations where the threaded studs in the mounting feet would go to mount enclosure directly to wall.

For Stainless Steel Enclosure: Use 3/8" Sealing Washer (supplied) and a 3/8" Bolt (not supplied) in the locations where the threaded studs in the mounting feet would go to mount enclosure directly to wall.

***To maintain NSF certification, seal perimeter between enclosure back and mounting surface with silicone rubber sealant.**



Wall Mounting

Enclosure may be mounted on any wall utilizing Unistrut or by drilling directly into any concrete wall. There are two mounting feet locations on the top and two locations at the bottom of the enclosure.

Step 1:

Drill holes 22.5" apart horizontally and 25.56" apart vertically.

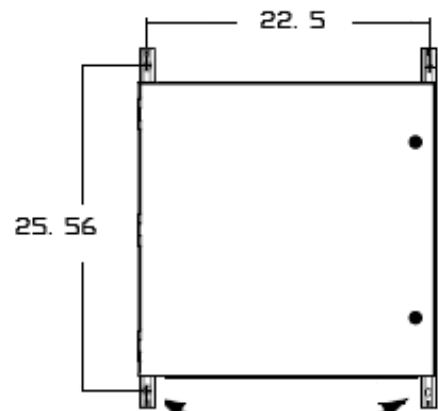
Step 2:

Mount the enclosure with the locks to the right and secure.

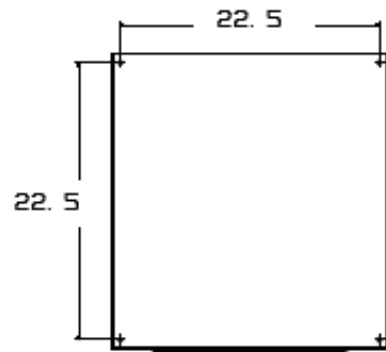
If mounting feet are not used:

The holes in the wall will be 22.5" apart horizontally and 22.5" apart vertically.

***To maintain NSF certification, seal perimeter between enclosure and back mounting surface with silicone rubber sealant.**



Hole Locations for Wall Mounting



Backview for wall mounting

Reversible Door

The enclosure comes with the door opening to the left.

The door may be reversed to open to the right.

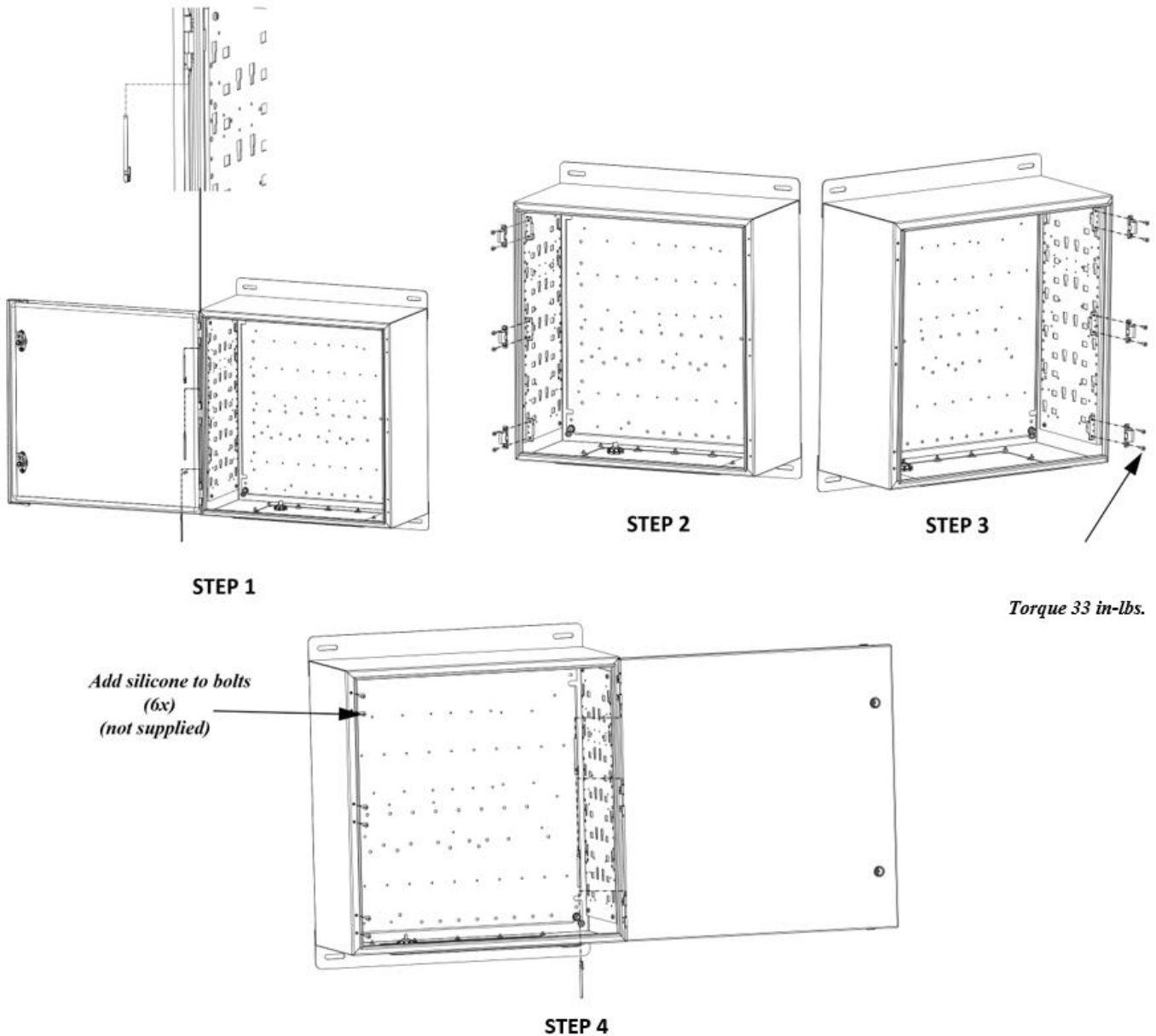
Step 1: Remove pins from the door hinges.

Step 2: Remove screws and door hinges

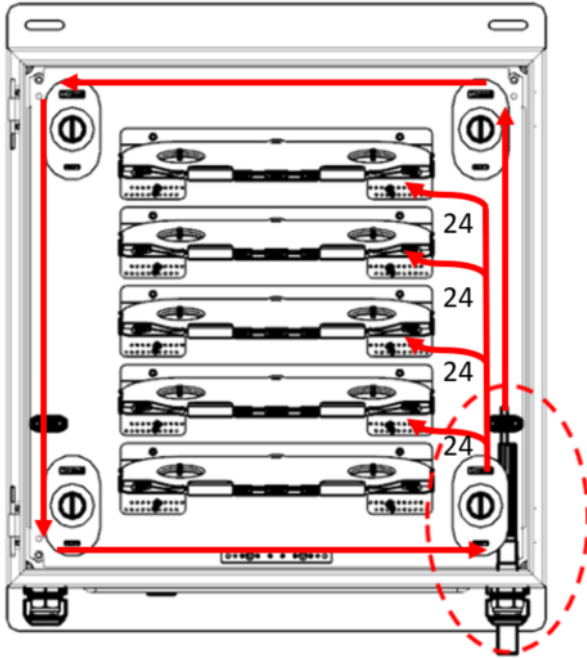
Step 3: New Hole locations will have to be drilled or punched out. Reinstall hinges and screws on opposite side.

Step 4: Turn door 180 degrees and mount to the opposite side of the enclosure. Insert the same pins to secure the door.

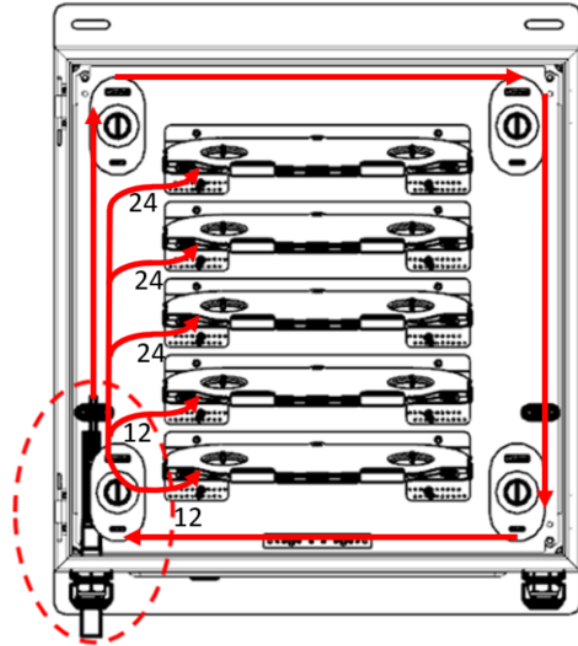
Step 5: Install hole plugs in holes where hinges were mounted.



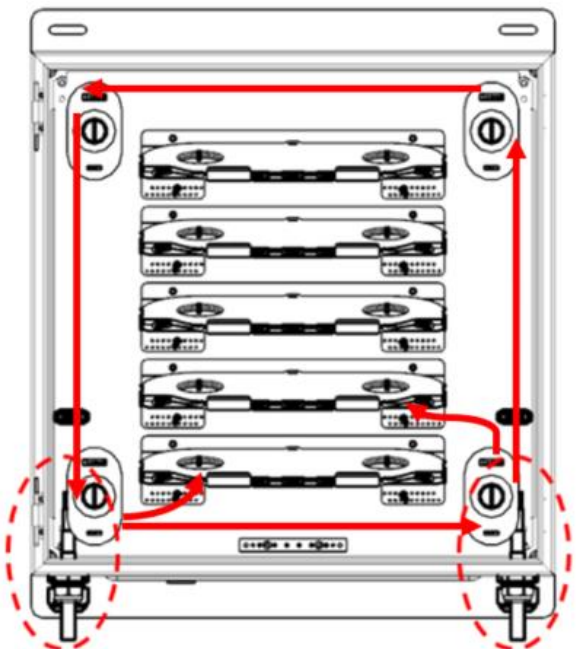
Incoming Horizontal Fiber Routing



Outgoing Horizontal Fiber Routing



Zone Enclosure Ring



Incoming from zone enclosure

Outgoing to zone enclosure

Relief Clamp

