



Panorama 25 mm

SICK
Sensor Intelligence.



Ordering information

Type	Part no.
Panorama 25 mm	2076621

Other models and accessories → www.sick.com/

Detailed technical data

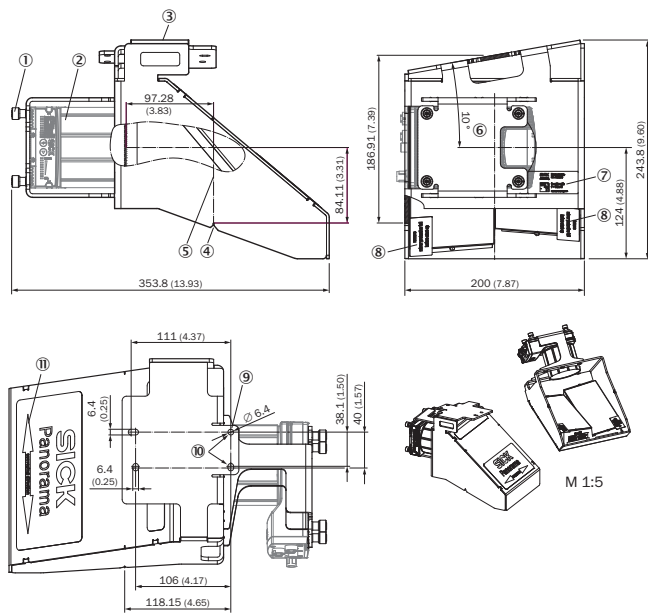
Technical specifications

Accessory group	Mirror adapters
Description	Panorama mirror hood to extend the field of view, useable with lens focal length 25 mm

Classifications

ECLASS 5.0	27279207
ECLASS 5.1.4	27279207
ECLASS 6.0	27279207
ECLASS 6.2	27279207
ECLASS 7.0	27279207
ECLASS 8.0	27279207
ECLASS 8.1	27279207
ECLASS 9.0	27273605
ECLASS 10.0	27273605
ECLASS 11.0	27273605
ECLASS 12.0	27273605
ETIM 5.0	EC002467
ETIM 6.0	EC002467
ETIM 7.0	EC002467
ETIM 8.0	EC002467
UNSPSC 16.0901	39111827

Dimensional drawing (Dimensions in mm (inch))



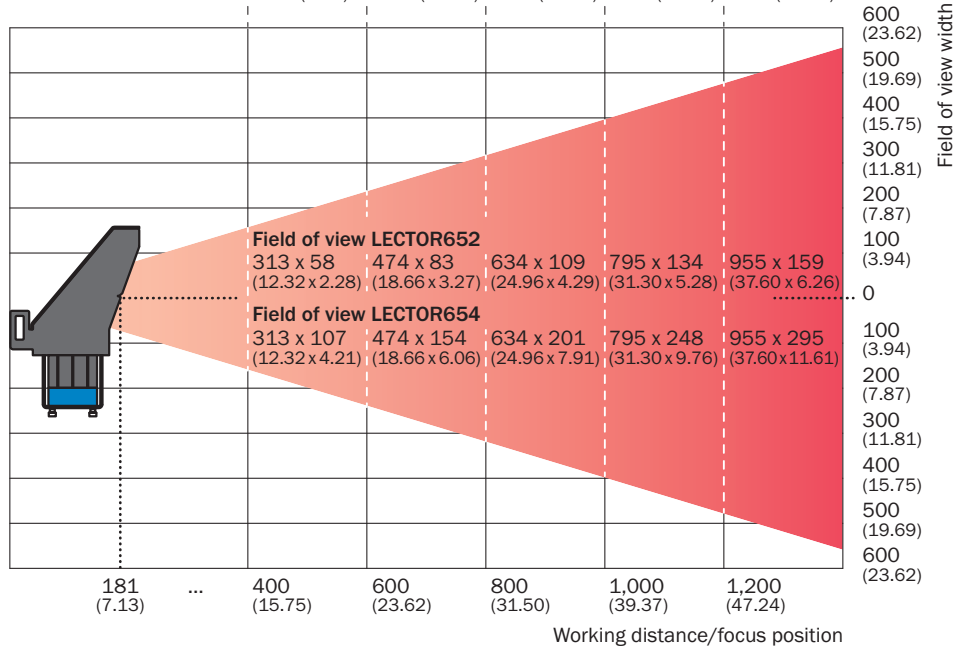
- ① Pre-mounted fixing screws for Lector
- ② Lector, not included with delivery
- ③ Measuring point for working distance
- ④ Notch for centrally aligning field of view width
- ⑤ Optical axis
- ⑥ Skew angle of 10°, determined by the mirror hood
- ⑦ Type label
- ⑧ Mirrors with protective film and information label "Do not remove protective Film until immediately before commissioning"
- ⑨ Fixing holes for mirror hood (4x)
- ⑩ Fixing holes for mirror hood for side reading
- ⑪ 'Conveying direction' arrow for aligning the mirror hood with the belt

Field of view

Field of view Lector65x with Panorama 25 mm

Dimensions in mm (inch/*mil)

Max. code size	58 (2.28)	83 (3.27)	108 (4.25)	121 (4.76)	134 (5.28)
Min. resolution 1D-Code	0.16 (*6.2)	0.23 (*8.9)	0.29 (*11.6)	0.36 (*14.3)	0.43 (*17.0)
Min. resolution 2D-Code	0.21 (*8.2)	0.30 (*11.8)	0.39 (*15.4)	0.48 (*19.1)	0.58 (*22.7)



SICK AT A GLANCE

SICK is one of the leading manufacturers of intelligent sensors and sensor solutions for industrial applications. A unique range of products and services creates the perfect basis for controlling processes securely and efficiently, protecting individuals from accidents and preventing damage to the environment.

We have extensive experience in a wide range of industries and understand their processes and requirements. With intelligent sensors, we can deliver exactly what our customers need. In application centers in Europe, Asia and North America, system solutions are tested and optimized in accordance with customer specifications. All this makes us a reliable supplier and development partner.

Comprehensive services complete our offering: SICK LifeTime Services provide support throughout the machine life cycle and ensure safety and productivity.

For us, that is “Sensor Intelligence.”

WORLDWIDE PRESENCE:

Contacts and other locations –www.sick.com