


Part number

# CSSM 10



Male insert, CSS series, dual spring terminal connection, 10 poles + PE, 16 A 500 V 6 kV 3, size "57.27"

Product description		Material properties	
<b>Product type</b>	Insert	<b>Main material</b>	Polycarbonate (PC)
<b>Series</b>	CSS	<b>Other materials</b>	Contacts: copper alloy
<b>Connection type</b>	Dual spring terminal connection	<b>Colour</b>	RAL 7032 grey
<b>Gender</b>	Male		Compliant with exemption 6(c): copper alloy containing up to 4% lead by weight
<b>N. of poles</b>	10 poles + 	<b>RoHs conformity</b>	
<b>Size</b>	Size 57.27	<b>China RoHs - EFUP</b>	50
Technical data		<b>REACH SVHC substances</b>	Yes Lead
<b>Current</b>	16 A	<b>SCIP number</b>	1a9c93ff-0445-4a16-81e3-1609ac5274d6
<b>Voltage</b>	500 V	Approvals / Standards	
<b>Rated impulse withstand voltage</b>	6 kV	<b>Reference standard</b>	EN 61984:2009-06
<b>Pollution degree</b>	3	<b>Certifications</b>	CSA, CQC, DNV, BV, EAC
<b>Rated voltage according to UL/CSA</b>	600 V	<b>UL</b>	ECBT2
<b>Wire cross-section</b>	0,14 mm <sup>2</sup> - 2,50 mm <sup>2</sup>	General ordering information	
<b>AWG size</b>	26 - 14	<b>EAN13 code</b>	8015747115803
<b>Contact type</b>	Turned silver plated	<b>eCl@ss 8.1</b>	27440205
<b>IP degree of protection</b>	IP20 without enclosure, IP65/IP66/IP68/IP69 with enclosure	<b>ETIM 7.0</b>	EC000438
Further technical details		<b>Packaging Information</b>	
<b>Characteristics according to EN 61984</b>	16A 500V 6kV 3; 16A 400/690V 6kV 2	<b>Packaging length</b>	240,00 mm
<b>Mating cycles</b>	≥ 500	<b>Packaging height</b>	220,00 mm
<b>Insulation resistance</b>	≥ 10 GΩ	<b>Packaging width</b>	210,00 mm
<b>Contact resistance</b>	≤ 3 mΩ	<b>Packaging weight</b>	3,05 kg
<b>Weight</b>	85,40 g	<b>Packaging volume</b>	11,09 dm <sup>3</sup>
<b>Operating temperature range (min, max)</b>	-40 °C ... +125 °C	<b>Packaging description</b>	Carton box
<b>Conductors stripping length</b>	9...11 mm	<b>Packaging quantity</b>	30 Pcs
<b>UL 94 flammability rating</b>	V-0	<b>Packaging EAN code</b>	8015747215688
		<b>Sub-packaging length</b>	197,00 mm
		<b>Sub-packaging height</b>	44,00 mm
		<b>Sub-packaging width</b>	113,00 mm
		<b>Sub-packaging weight</b>	0,51 kg
		<b>Sub-packaging volume</b>	0,98 dm <sup>3</sup>
		<b>Sub-packaging description</b>	Carton tray
		<b>Sub-packaging quantity</b>	5 Pcs
		<b>Sub-packaging EAN barcode</b>	8015747115902

Part number

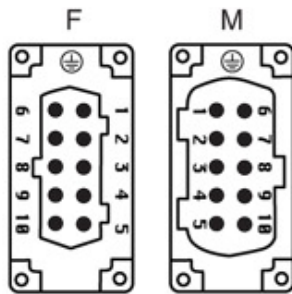
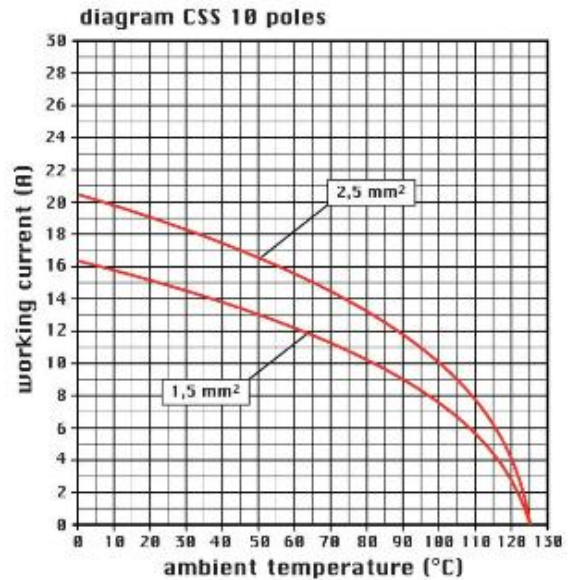
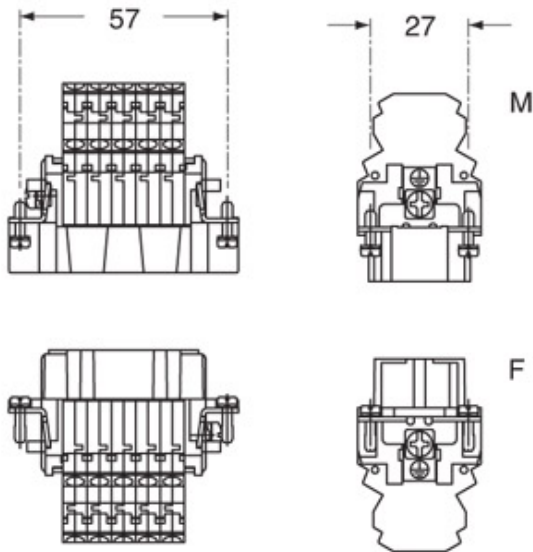
# CSSM 10



Catalogue drawings

Catalogue drawings

CSSF / CSSM 10



## Notes

CSSF/M 10 inserts:

- can be mated with CNE, CSE, CCE, CTE, CTSE, CSH inserts

- characteristics according to EN 61984:

16A 500V 6kV 3

16A 400/690V 6kV 2

- rated voltage according to UL/CSA: 600V

- insulation resistance: > 10 GOhm

- ambient temperature limit: -40 °C ... +125 °C

- are made of self-extinguishing thermoplastic resin UL 94 V0

- mechanical life: > 500 cycles

- contact resistance: < 3 mOhm

- enclosures: size "57.27":

C-TYPE IP65/IP66

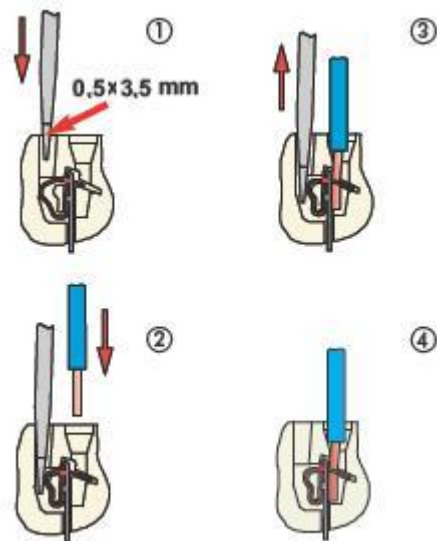
C7 IP67 stainless steel lever

V-TYPE IP65/IP66  
stainless steel lever  
T-TYPE IP65 insulating  
JEl zinc-plated steel lever  
BIG hoods  
W-TYPE aggressive environments  
EMC  
central lever  
IP68  
- panel supports: COB

---

Dimensions shown in mm are not binding and may be changed without notice.

---



### California Proposition 65 Information



### WARNING

This product can expose you to lead and its compounds, known to the State of California to cause cancer and/or reproductive toxicity. For more information go to [www.P65Warnings.ca.gov](http://www.P65Warnings.ca.gov).

---