

Part number

MKA VA25



Hood, CKA series, with 2 pegs, M25 side cable entry, size "21.21"

Product description

Product type	Hood
Series	CKA
Closing type	With 2 pegs
Size	Size "21.21"
Cable entry	Side cable entry M25

Technical data

IP degree of protection IP44 - IP66 / IP67 / IP69 with CKR 65 (D)

Further technical details

Weight	78,00 g
Operating temperature range (min, max)	-40°C...+125°C

Material properties

Main material	Zinc die-cast
Colour	RAL 7040 grey
RoHs conformity	Compliant
China RoHs - EFUP	E
REACH SVHC substances	No

General ordering information

EAN13 code	8015747291231
eCl@ss 8.1	27440202

Packaging Information

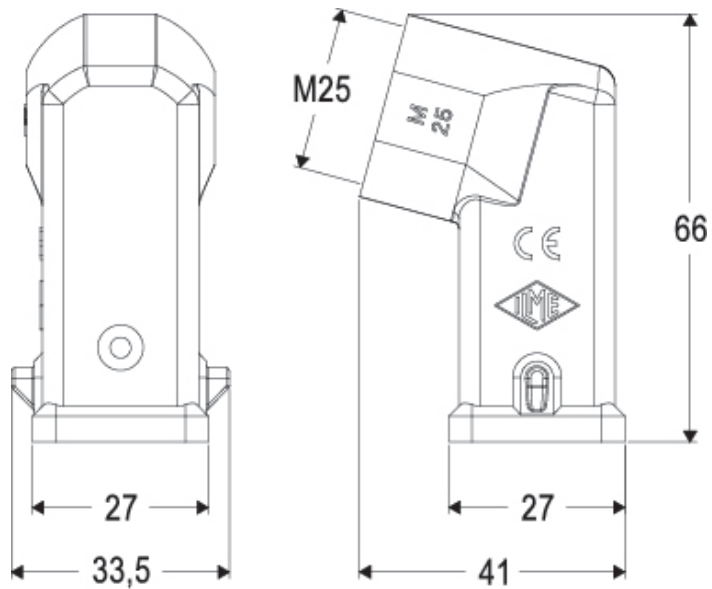
Packaging length	450,00 mm
Packaging height	175,00 mm
Packaging width	230,00 mm
Packaging weight	8,61 kg
Packaging volume	18,11 dm ³
Packaging description	Carton box
Packaging quantity	100 Pcs
Packaging EAN code	8015747291248
Sub-packaging length	210,00 mm
Sub-packaging height	40,00 mm
Sub-packaging width	175,00 mm
Sub-packaging weight	0,86 kg
Sub-packaging volume	1,47 dm ³
Sub-packaging description	Carton box
Sub-packaging quantity	10 Pcs
Sub-packaging EAN barcode	8015747291255

Part number

MKA VA25



Catalogue drawings



Notes