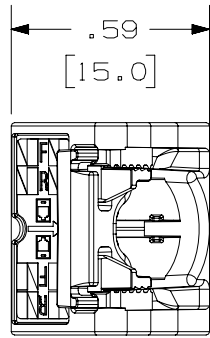
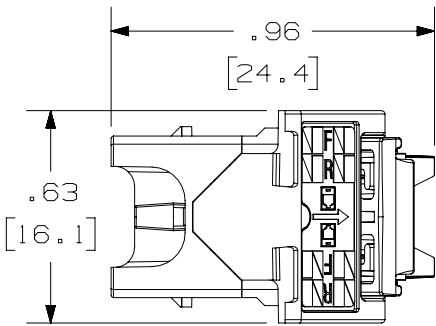
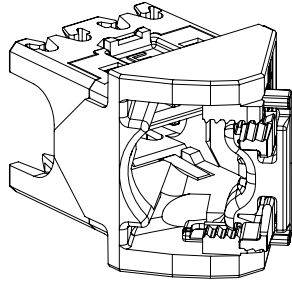
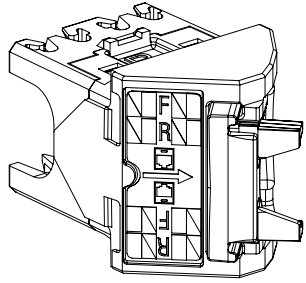


THIS COPY IS PROVIDED ON A RESTRICTED BASIS AND IS NOT TO BE USED IN ANY WAY DETRIMENTAL TO THE INTERESTS OF PANDUIT CORP.



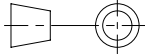
NOTES:

- VISIT OUR ON-LINE CATALOG AT WWW.PANDUIT.COM FOR A LIST OF CURRENT PARTS APPLICABLE FOR USE WITH THIS PRODUCT.
- DIMENSIONS IN [ ] ARE METRIC.
- WEIGHT: 0.45 LB/100 PCX [ 203 g/100PCS ]
- TERMINATES ALL CJS\*\*88TG\*\* JACKS
- WIRE CAP TERMINATES TO THE RIGHT OR TO THE LEFT (HORIZONTALLY).
- TERMINATES 22-26 AWG SOLID OR STRANDED STP CABLE
- RoHS COMPLIANT.

TABLE 1 - PART NUMBERS

PART NUMBER	COLOR	PERFORMANCE CATEGORY	
		(TIA)	ISO
CJSLRCAPBU-%	BLUE	CATEGORY 6A	CLASS EA
CJSLRCAPIW-%	INTERNATIONAL WHITE	CATEGORY 6	CLASS E
CJSLRCAPRD-%	RED	CATEGORY 5E	CLASS D

WHERE % -C IS FOR BULK PACK OF 100 AND -X IS FOR BULK PACK OF 10.

PART NUMBER		SEE TABLE 1	
TITLE			
45-DEGREE ANGLED LEFT-RIGHT SHIELDED WIRE CAP ASSEMBLY		CUSTOMER DRAWING	
ITEM REVISION NAME		00108EAA/00	
DATASET FILE NAME		00108EAA_DC/00A	
		THIRD ANGLE PROJECTION	
MATERIAL		DRAWING NUMBER	
ZINC AND POLYCARBONATE		00108EAA-DC	
DRAWN BY	DATE	CHK	SCALE
BJN	6-11-18	ROJC	NONE
SHEET 1 OF 1			SIZE
			A

00A	6-11-18	BJN	ROJC	TMBA	RELEASED TO PRODUCTION	00108EAA-DC
REV	DATE	BY	CHK	APR	DESCRIPTION	ECN

A-SIZE CUSTOMER

2

1

2

1