



Redundancy
 modules
 PSLR

Product designation

Product type designation

Input characteristics

Operating range

DC

min	VDC	9
Max	VDC	35

Number of inputs

Nr. 2

Rated input current

A 10

Maximum input current (for channel)

A 8A for 300s

Output characteristics

Rated output voltage DC

VDC 12...24

Rated output current

A 10

Output voltage drop

V 0.5

Maximum reverse voltage

V 35

Maximum output current

A 16A for 300s

Connections

Terminals type

Screw

Ambient conditions

Temperature

Operating temperature

min	°C	-40
max	°C	+71

Storage temperature

min	°C	-40
max	°C	+85

Housing

Material

Plastic

IEC degree of protection

IP20

Dimensions (W x H x D)

mm 35 x 91 x 56.5

Weight

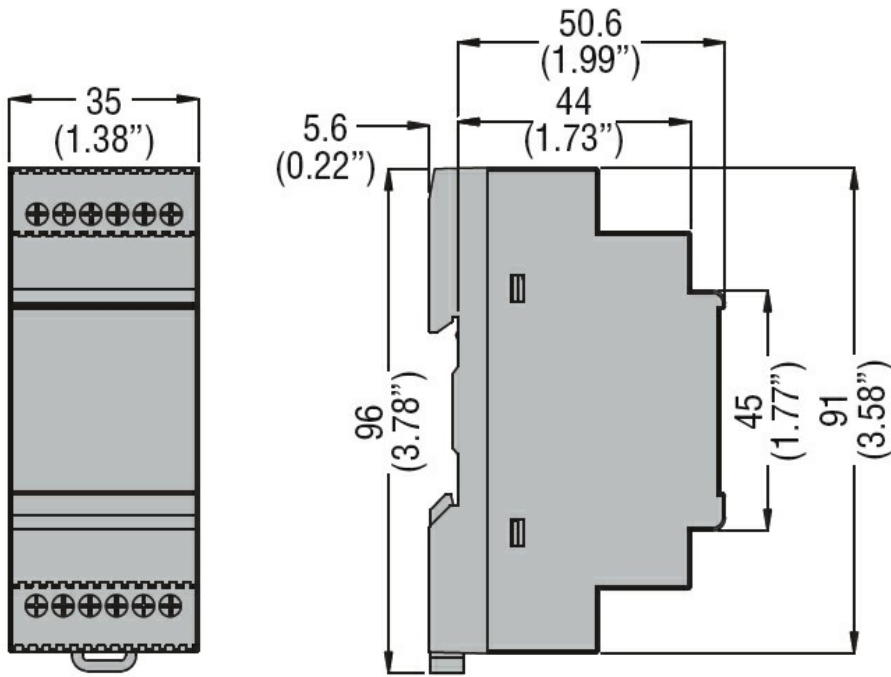
g 75

Installations

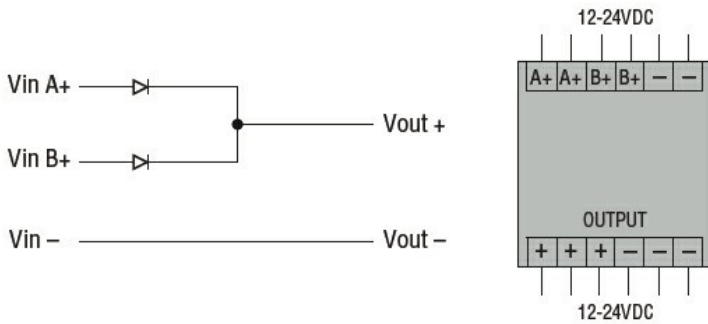
Mounting

Modular housing
 DIN 43880

Dimensions



Wiring diagrams



Certifications and compliance

Compliance

- IEC/EN/BS 60950-1
- IEC/EN/BS 61000-4-2
- IEC/EN/BS 61000-4-3
- IEC/EN/BS 61000-4-4
- IEC/EN/BS 61000-4-6
- IEC/EN/BS 61000-4-8

Certificates

- EAC
- RCM

ETIM classification

ETIM 8.0

EC002540 - DC-power supply