

1SNA235884R0000 ✓ ACTIVE

ENTRELEC | ENTRELEC HTP600

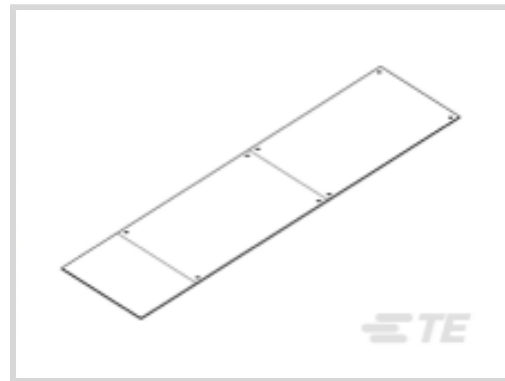
TE Internal #: 1SNA235884R0000

Terminal Block & Strip Marking Accessories, Name Plate Kit, Blank Mark Details, White, 14 – 122 °F [-10 – 50 °C], UL 94V-0, ENTRELEC HTP600

[View on TE.com >](#)



Connectors > Terminal Blocks & Strips > Terminal Block & Strip Accessories > Terminal Block & Strip Marking Accessories



Marking Product Type: **Name Plate Kit**

Pre-Printed Mark Details: **Blank**

Primary Product Color: **White**

Operating Temperature Range: **-10 – 50 °C [ 14 – 122 °F ]**

UL Flammability Rating: **UL 94V-0**

## Features

### Product Type Features

Marking Product Type	Name Plate Kit
----------------------	----------------

### Configuration Features

Number of Cards per Package	11
Pre-Printed Mark Details	Blank

### Body Features

Primary Product Color	White
-----------------------	-------

### Usage Conditions

Operating Temperature Range	-10 – 50 °C[14 – 122 °F]
-----------------------------	--------------------------

### Industry Standards

UL Flammability Rating	UL 94V-0
------------------------	----------

## Product Compliance

[For compliance documentation, visit the product page on TE.com>](#)

EU RoHS Directive 2011/65/EU	Compliant
EU ELV Directive 2000/53/EC	Compliant
China RoHS 2 Directive MIIT Order No 32, 2016	No Restricted Materials Above Threshold
EU REACH Regulation (EC) No. 1907/2006	



Current ECHA Candidate List: JUNE 2022 (224)  
 Candidate List Declared Against: JUNE 2022 (224)  
 Does not contain REACH SVHC

Halogen Content Not Low Halogen - contains Br or Cl > 900 ppm.

Solder Process Capability Not applicable for solder process capability

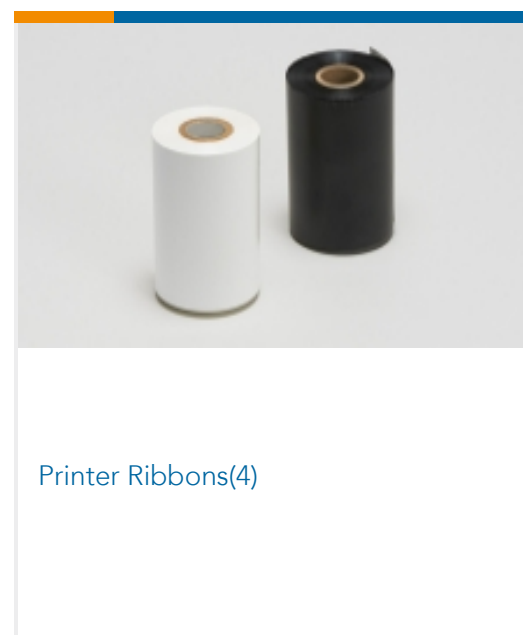
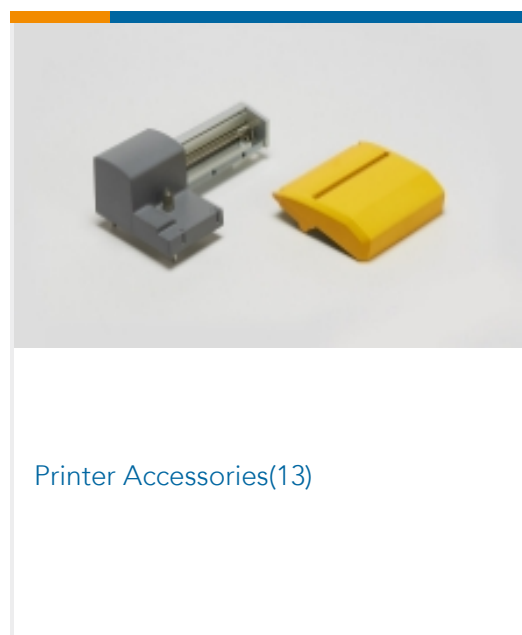
Product Compliance Disclaimer

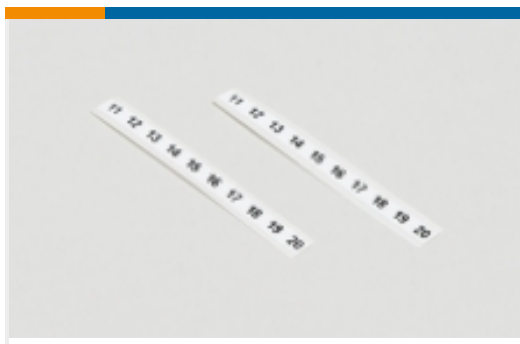
This information is provided based on reasonable inquiry of our suppliers and represents our current actual knowledge based on the information they provided. This information is subject to change. The part numbers that TE has identified as EU RoHS compliant have a maximum concentration of 0.1% by weight in homogenous materials for lead, hexavalent chromium, mercury, PBB, PBDE, DBP, BBP, DEHP, DIBP, and 0.01% for cadmium, or qualify for an exemption to these limits as defined in the Annexes of Directive 2011/65/EU (RoHS2). Finished electrical and electronic equipment products will be CE marked as required by Directive 2011/65/EU. Components may not be CE marked. Additionally, the part numbers that TE has identified as EU ELV compliant have a maximum concentration of 0.1% by weight in homogenous materials for lead, hexavalent chromium, and mercury, and 0.01% for cadmium, or qualify for an exemption to these limits as defined in the Annexes of Directive 2000/53/EC (ELV). Regarding the REACH Regulation, the information TE provides on SVHC in articles for this part number is based on the latest European Chemicals Agency (ECHA) 'Guidance on requirements for substances in articles' posted at this URL: <https://echa.europa.eu/guidance-documents/guidance-on-reach>

## Compatible Parts



## Also in the Series | ENTRELEC HTP600





Terminal Block & Strip Marking Accessories(115)

## Customers Also Bought



TE Part #1SNA235094R1500  
WMTT18



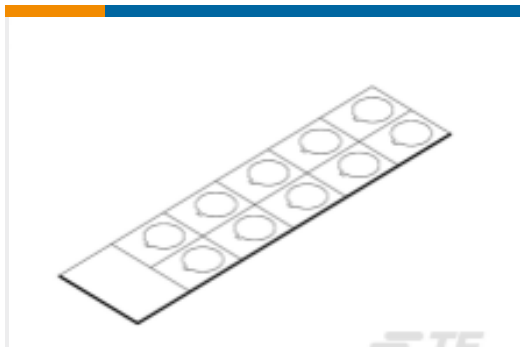
TE Part #1SNA235534R0000  
PM1810



TE Part #1SNA235545R0000  
PM307



TE Part #1SNA235590R0000  
WMTT30



TE Part #1SNA235830R0000  
PTS22.5-3040



TE Part #1SNA235844R0000  
VYT0817



TE Part #1SNA235887R0000  
PLHA43015



TE Part #1SNK140000R0000  
MC512



TE Part #1SNA235115R1600  
PPT12030



TE Part #1SNA235116R1700  
PPT18050

## Documents

### Product Drawings

[PPT60100](#)

English

### Datasheets & Catalog Pages

[Catalogue - HTP600 Thermal Transfer Printer and Markers](#)

English

[Datasheet - Htp600](#)

French



[Datasheet - Htp600 Thermal-Transfer-Printer-Marker](#)

English

[Datasheet - Htp600 Thermal-Transfer-Printer-Marker](#)

French