

CABLOFIL CFG

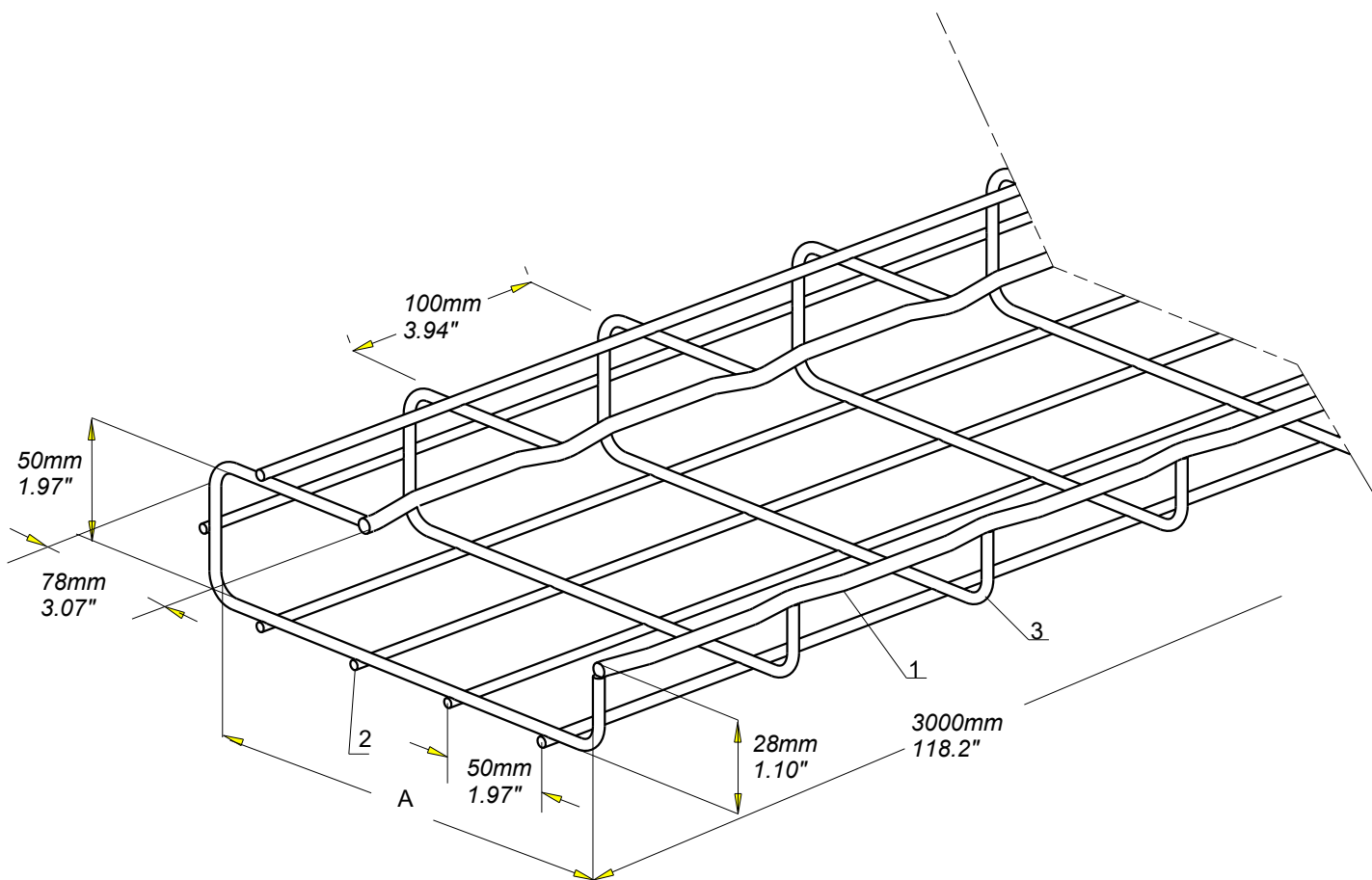
304L

CABLOFIL®

INNOVATORS IN CABLE MANAGEMENT

FT0025-8

01/22



	Ø 1		Ø 2		Ø 3	
	mm	inch	mm	inch	mm	inch
CFG50-100	4.4	0.173	3.9	0.154	4.4	0.173
CFG50-150	4.4	0.173	3.9	0.154	4.4	0.173
CFG50-200	5.5	0.216	3.9	0.154	4.4	0.173

REF	CODE	POIDS WEIGHT		A mm	A inch
		kg / m	lb / ft		
CFG50-100	003 228	0.918	0.617	100	3.937
CFG50-150	003 238	1.073	0.722	150	5.905
CFG50-200	003 248	1.368	0.920	200	7.874

MATIERE / MATERIAL	NORMES / STANDARD	Resistance class against corrosion
X2 Cr Ni 18-9	EN 10088-3	Class 9C / IEC 61537

Propriété exclusive de CABLOFIL, ne peut être ni copié, ni transmis à des tiers sans autorisation écrite.
 Exclusive property of CABLOFIL shouldn't be reproduced or transmitted to any people without written authorization.