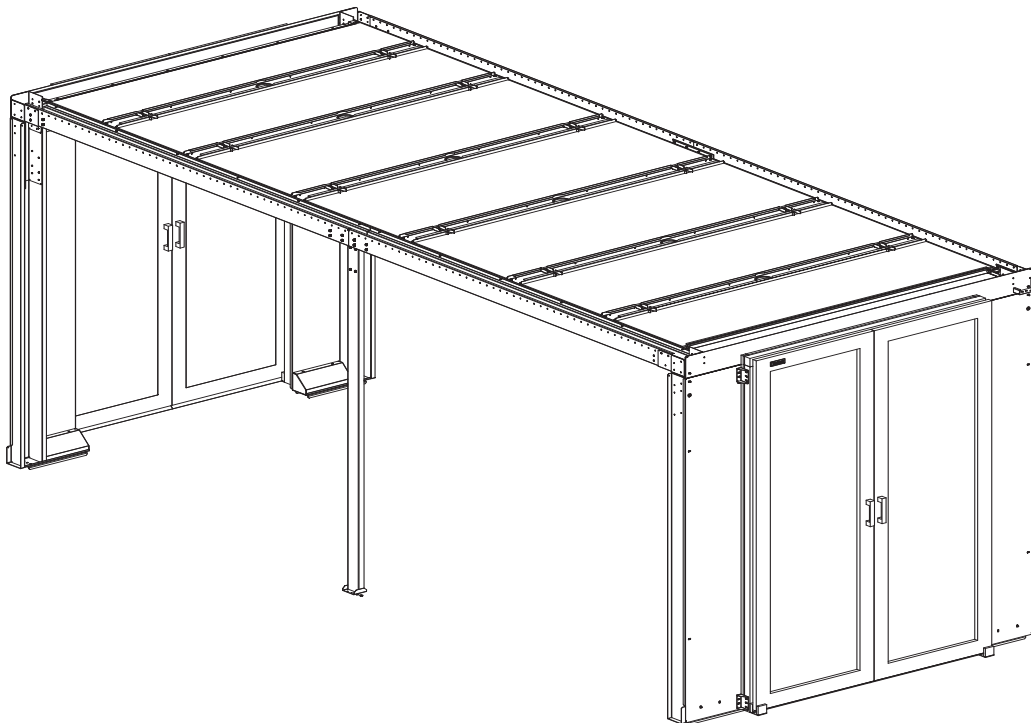
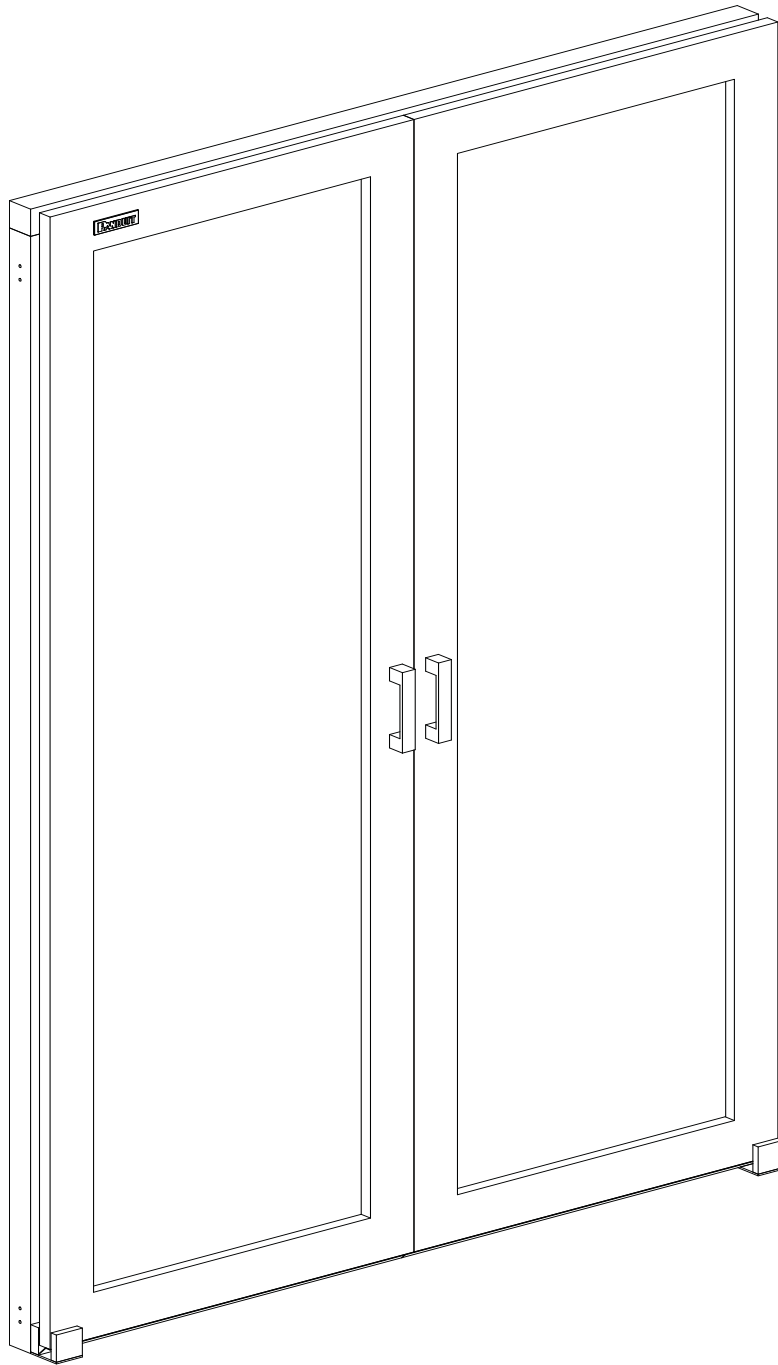


UNIVERSAL AISLE CONTAINMENT - VERTICAL WALL VERSION



UNIVERSAL AISLE CONTAINMENT - ROOFING VERSION

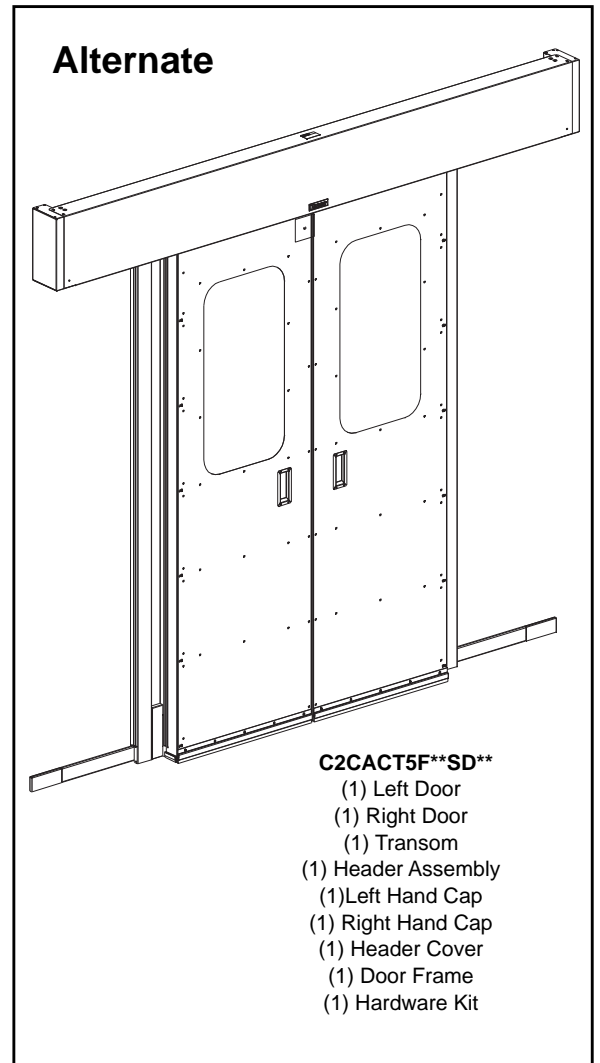
COMPONENT GUIDE FOR SLIDING DOORS



CUD*SD****

- (1) Left Door
- (1) Right Door
- (1) Door Frame
- (2) Brush Seal Bracket
- (2) Door Guide
- (2) Door Splines
- (1) Hardware Kit

Alternate



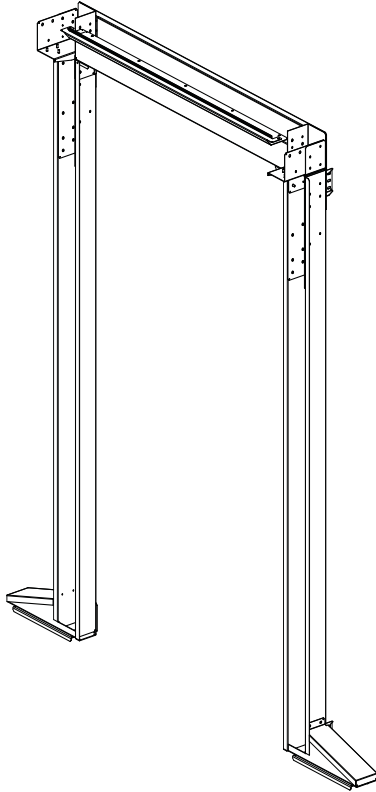
C2CACT5F**SD**

- (1) Left Door
- (1) Right Door
- (1) Transom
- (1) Header Assembly
- (1) Left Hand Cap
- (1) Right Hand Cap
- (1) Header Cover
- (1) Door Frame
- (1) Hardware Kit

56" DUAL SLIDING DOORS FOR 4FT (1200mm) and 6FT (1800mm) AISLE

COMPONENT GUIDE FOR END OF ROW FRAMES

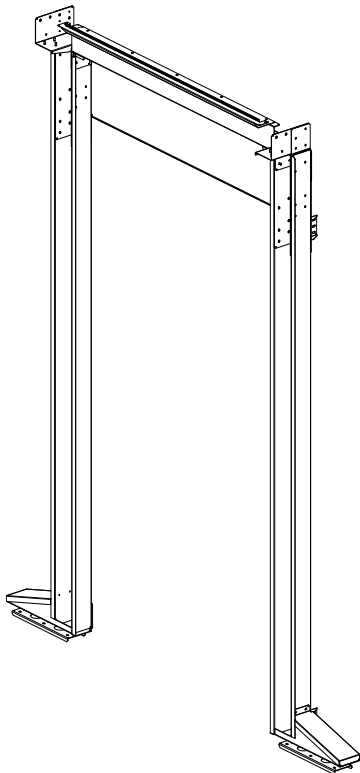
NET-CONTAIN UAC END OF ROW FRAME 42/45RU, 4FT (1200mm) AISLE



CUEFRT8W04**

- (2) End Beam Supports
- (1) 1200 CAC Beam
- (1) Post Weldment 1200 42/45 RH
- (1) Post Weldment 1200 42/45 LH
- (1) Post Extension LH
- (1) Post Extension RH
- (1) 1200 End Beam 42/45
- (2) 45 Spacer
- (4) Double Door Bracket
- (1) 1200 Transom 42/45
- (2) Support Plate
- (1) Foot Cover C
- (1) Foot Cover D
- (1) HAC End Beam
- (2) 1200 Bracket
- (1) Hardware Kit

NET-CONTAIN UAC END OF ROW FRAME 48/52RU, 4FT (1200mm) AISLE

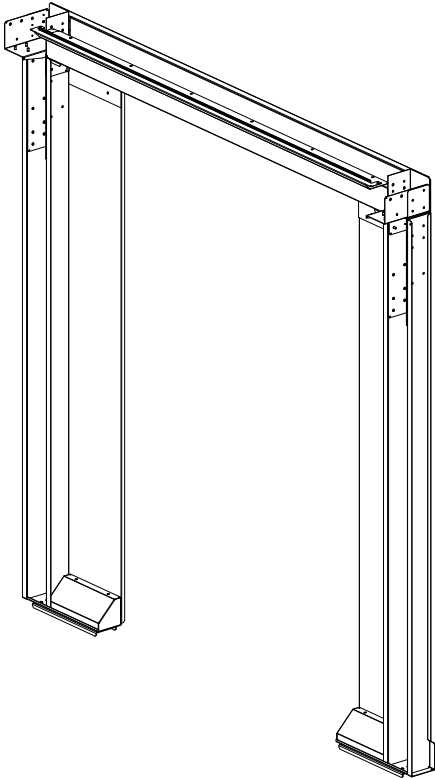


CUEFRT9W04**

- (2) End Beam Supports
- (1) 1200 CAC Beam
- (1) Post Weldment 1200 48/52 RH
- (1) Post Weldment 1200 48/52 LH
- (1) Post Extension LH
- (1) Post Extension RH
- (1) 1200 End Beam 48/52
- (2) 52 Spacer
- (4) Double Door Bracket
- (1) 1200 Transom 48/52
- (2) Support Plate
- (1) Foot Cover C
- (1) Foot Cover D
- (1) HAC End Beam
- (2) 1200 Bracket
- (1) 1200 48/52 Panel
- (1) Hardware Kit

COMPONENT GUIDE FOR END OF ROW FRAMES

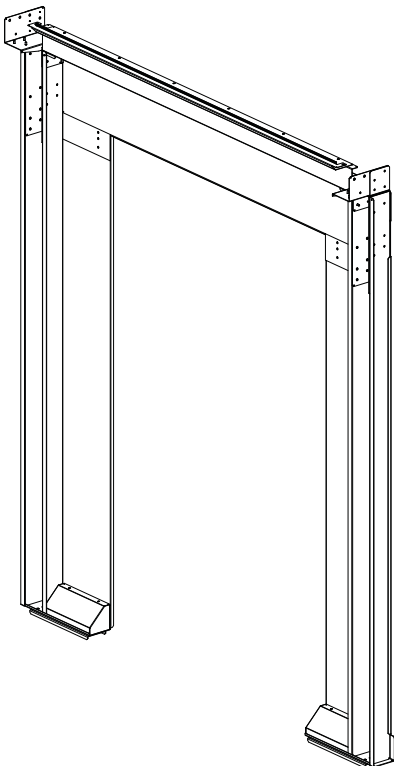
NET-CONTAIN UAC END OF ROW FRAME 42/45RU, 6FT (1800mm) AISLE



CUEFRT8W06**

- (2) End Beam Supports
- (1) 1800 CAC Beam
- (1) Post Weldment 1800 42/45 RH
- (1) Post Weldment 1800 42/45 LH
 - (1) Post Extension LH
 - (1) Post Extension RH
- (1) 1800 x 42/45 End Beam
 - (2) 45 Spacer
- (4) Double Door Bracket
- (1) 1800 Vertical Panel LH
- (1) 1800 Vertical Panel RH
- (1) 1800 Transom 42/45
 - (2) Support Plate
 - (2) Foot Cover 1800
- (1) 1800 48/52 Panel
- (1) Hardware Kit

NET-CONTAIN UAC END OF ROW FRAME 48/52RU, 6FT (1800mm) AISLE



CUEFRT9W06**

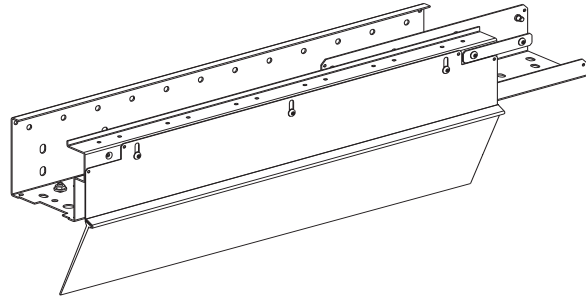
- (2) End Beam Supports
- (1) 1800 CAC Beam
- (1) Post Weldment 1800 48/52 RH
- (1) Post Weldment 1800 48/52 LH
 - (1) Post Extension LH
 - (1) Post Extension RH
- (1) 1800 x 48/52 End Beam
 - (2) 52 Spacer
- (4) Double Door Bracket
- (1) 1800 Vertical Panel LH
- (1) 1800 Vertical Panel RH
- (1) 1800 Transom 48/52
 - (2) Support Plate
 - (2) Foot Cover 1800
- (1) 1800 48/52 Panel
- (1) Hardware Kit

COMPONENT GUIDE WALL BEAM

NET-CONTAIN UAC WALL BEAM 600mm LONG, 1 PIECE

CUWBSS06ST01**

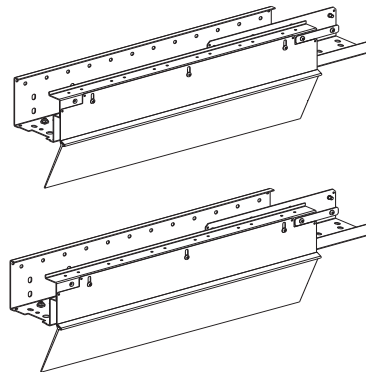
- (1) 600mm Wall Beam
- (1) 600mm Wall Beam Clamp
- (1) Connector
- (1) Wall Beam Ganging Bracket
(Included in Hardware Kit)
- (1) Flap Seal
(Included in Hardware Kit)
- (1) Hardware Kit



NET-CONTAIN UAC WALL BEAM 600mm LONG, 2 PIECES

CUWBPS06ST02**

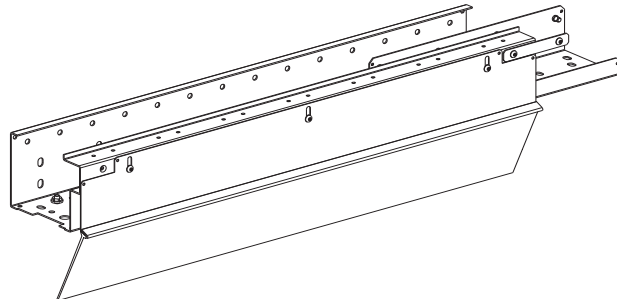
- (2) 600mm Wall Beams
- (2) 600mm Wall Beam Clamps
- (2) Connectors
- (2) Wall Beam Ganging Brackets
(Included in Hardware Kit)
- (2) Flap Seals
(Included in Hardware Kit)
- (2) Hardware Kits



NET-CONTAIN UAC WALL BEAM 700mm LONG, 1 PIECE

CUWBSS07ST01**

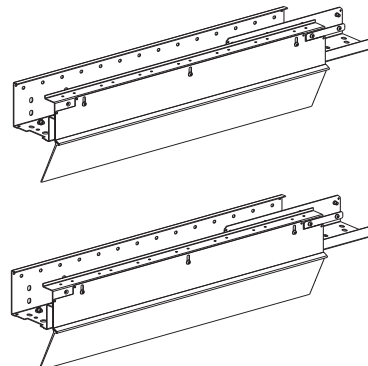
- (1) 700mm Wall Beam
- (1) 700mm Wall Beam Clamp
- (1) Connector
- (1) Wall Beam Ganging Bracket
(Included in Hardware Kit)
- (1) Flap Seal
(Included in Hardware Kit)
- (1) Hardware Kit



NET-CONTAIN UAC WALL BEAM 700mm LONG, 2 PIECES

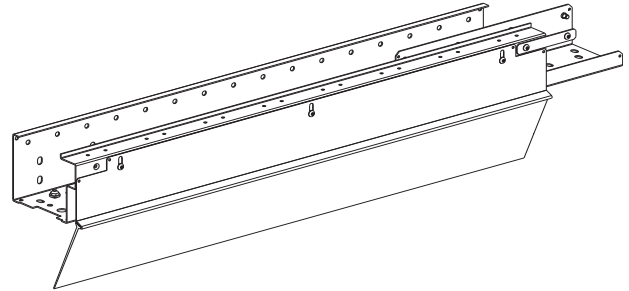
CUWBPS07ST02**

- (2) 700mm Wall Beams
- (2) 700mm Wall Beam Clamps
- (2) Connectors
- (2) Wall Beam Ganging Brackets
(Included in Hardware Kit)
- (2) Flap Seals
(Included in Hardware Kit)
- (2) Hardware Kits

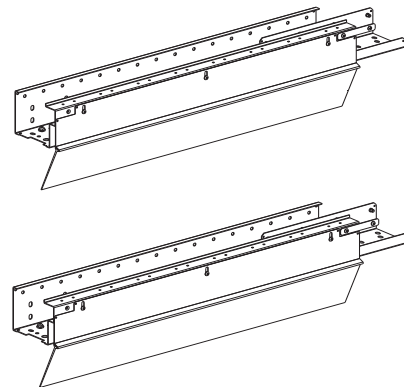


COMPONENT GUIDE WALL BEAM**NET-CONTAIN UAC WALL BEAM 800mm LONG, 1 PIECE****CUWBSS08ST01****

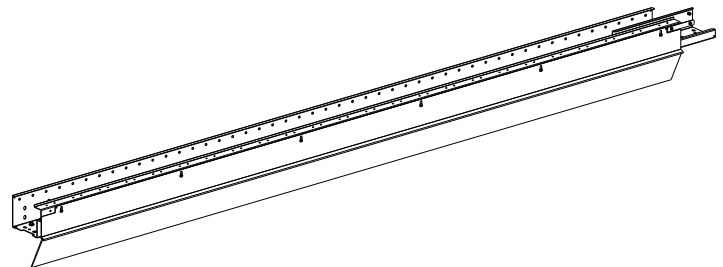
- (1) 800mm Wall Beam
- (1) 800mm Wall Beam Clamp
- (1) Connector
- (1) Wall Beam Ganging Bracket
- (Included in Hardware Kit)
- (1) Flap Seal
- (Included in Hardware Kit)
- (1) Hardware Kit

**NET-CONTAIN UAC WALL BEAM 800mm LONG, 2 PIECES****CUWBPS08ST02****

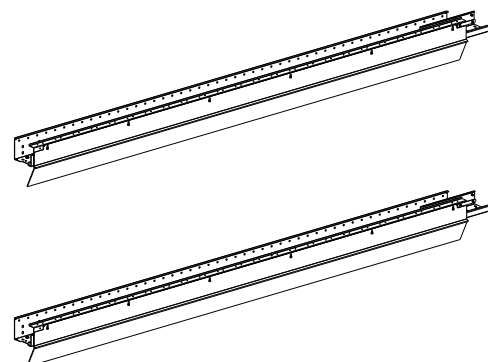
- (2) 800mm Wall Beams
- (2) 800mm Wall Beam Clamps
- (2) Connectors
- (2) Wall Beam Ganging Brackets
- (Included in Hardware Kit)
- (2) Flap Seals
- (Included in Hardware Kit)
- (2) Hardware Kits

**NET-CONTAIN UAC WALL BEAM 2400mm LONG, 1 PIECE****CUWBSS24ST01****

- (1) 2400mm Wall Beam
- (1) 2400mm Wall Beam Clamp
- (1) Connector
- (1) Wall Beam Ganging Bracket
- (Included in Hardware Kit)
- (1) Flap Seal
- (Included in Hardware Kit)
- (1) Hardware Kit

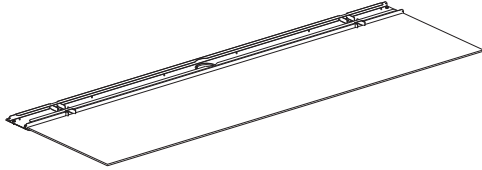
**NET-CONTAIN UAC WALL BEAM 2400mm LONG, 2 PIECES****CUWBPS24ST02****

- (2) 2400mm Wall Beams
- (2) 2400mm Wall Beam Clamps
- (2) Connectors
- (2) Wall Beam Ganging Brackets
- (Included in Hardware Kit)
- (2) Flap Seals
- (Included in Hardware Kit)
- (2) Hardware Kits



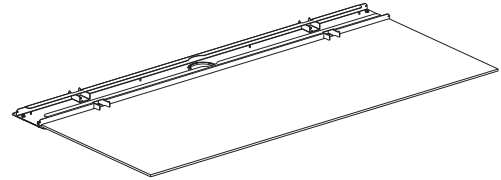
COMPONENT GUIDE FOR CEILING STRUCTURE

**NET-CONTAIN UAC 600mm
ROOFING SECTION, 6ft
(1800mm) AISLE**



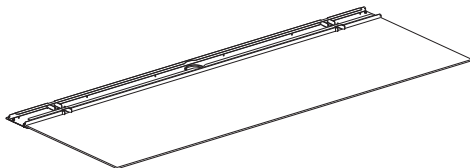
CURFS06F06HB**
(1) Aisle Beam
(1) Roof Panel
(1) Hardware Kit

**NET-CONTAIN UAC 600mm
ROOFING SECTION, 4ft
(1200mm) AISLE**



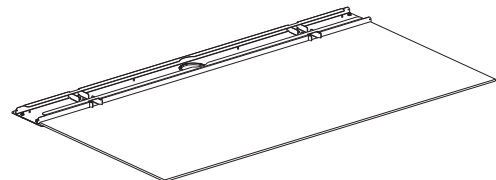
CURFS06F04HB**
(1) Aisle Beam
(1) Roof Panel
(1) Hardware Kit

**NET-CONTAIN UAC 700mm
ROOFING SECTION, 6ft
(1800mm) AISLE**



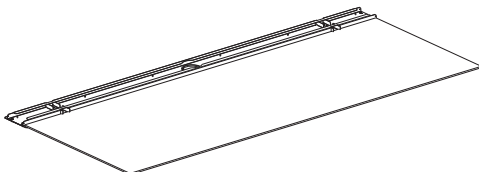
CURFS07F06HB**
(1) Aisle Beam
(1) Roof Panel
(1) Hardware Kit

**NET-CONTAIN UAC 700mm
ROOFING SECTION, 4ft
(1200mm) AISLE**



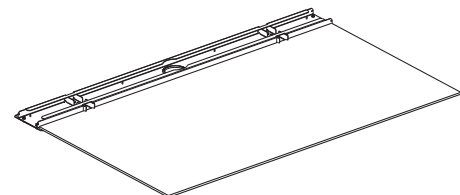
CURFS07F04HB**
(1) Aisle Beam
(1) Roof Panel
(1) Hardware Kit

**NET-CONTAIN UAC 800mm
ROOFING SECTION, 6ft
(1800mm) AISLE**



CURFS08F06HB**
(1) Aisle Beam
(1) Roof Panel
(1) Hardware Kit

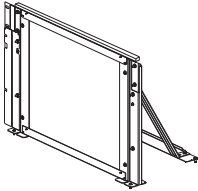
**NET-CONTAIN UAC 800mm
ROOFING SECTION, 4ft
(1200mm) AISLE**



CURFS08F04HB**
(1) Aisle Beam
(1) Roof Panel
(1) Hardware Kit

COMPONENT GUIDE FOR VERTICAL WALL CONTAINMENT

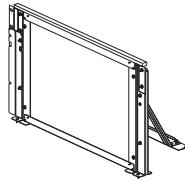
**NET-CONTAIN HAC
ADJUSTABLE VERTICAL**



C2HAC06I1626**

- (1) Wall Assembly (600mm Wide)
- (2) Diagonal Braces
- (1) Brace Bar
- (1) Lower Seal
- (1) Upper Seal
- (1) Hardware Kit

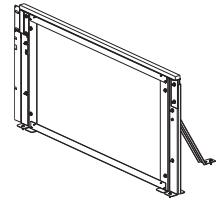
**NET-CONTAIN HAC
ADJUSTABLE VERTICAL**



C2HAC07I1626**

- (1) Wall Assembly (700mm wide)
- (2) Diagonal Braces
- (1) Brace Bar
- (1) Lower Seal
- (1) Upper Seal
- (1) Hardware Kit

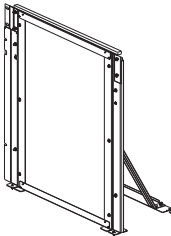
**NET-CONTAIN HAC
ADJUSTABLE VERTICAL**



C2HAC08I1626**

- (1) Wall Assembly (800mm wide)
- (2) Diagonal Braces
- (1) Lower Seal
- (1) Upper Seal
- (1) Hardware Kit

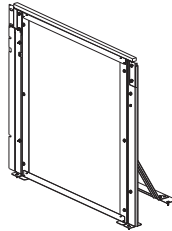
**NET-CONTAIN HAC
ADJUSTABLE VERTICAL**



C2HAC06I2638**

- (1) Wall Assembly (600mm Wide)
- (2) Diagonal Braces
- (1) Brace Bar
- (1) Lower Seal
- (1) Upper Seal
- (1) Hardware Kit

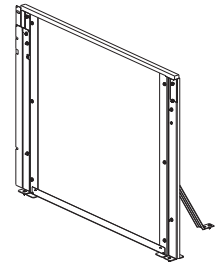
**NET-CONTAIN HAC
ADJUSTABLE VERTICAL**



C2HAC07I2638**

- (1) Wall Assembly (700mm wide)
- (2) Diagonal Braces
- (1) Brace Bar
- (1) Lower Seal
- (1) Upper Seal
- (1) Hardware Kit

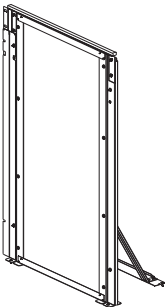
**NET-CONTAIN HAC
ADJUSTABLE VERTICAL**



C2HAC08I2638**

- (1) Wall Assembly (800mm wide)
- (2) Diagonal Braces
- (1) Lower Seal
- (1) Upper Seal
- (1) Hardware Kit

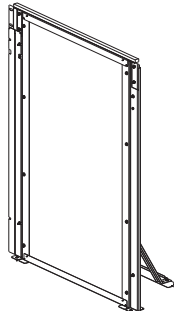
**NET-CONTAIN HAC
ADJUSTABLE VERTICAL**



C2HAC06I3866**

- (1) Wall Assembly (600mm Wide)
- (2) Diagonal Braces
- (1) Brace Bar
- (1) Lower Seal
- (1) Upper Seal
- (1) Hardware Kit

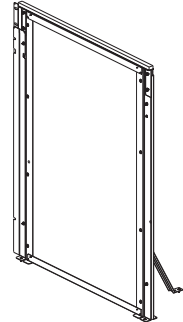
**NET-CONTAIN HAC
ADJUSTABLE VERTICAL**



C2HAC07I3866**

- (1) Wall Assembly (700mm wide)
- (2) Diagonal Braces
- (1) Brace Bar
- (1) Lower Seal
- (1) Upper Seal
- (1) Hardware Kit

**NET-CONTAIN HAC
ADJUSTABLE VERTICAL**

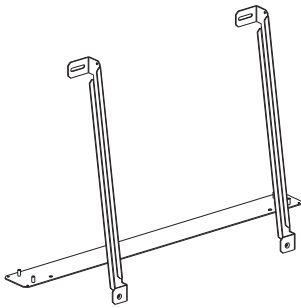


C2HAC08I3866**

- (1) Wall Assembly (800mm wide)
- (2) Diagonal Braces
- (1) Lower Seal
- (1) Upper Seal
- (1) Hardware Kit

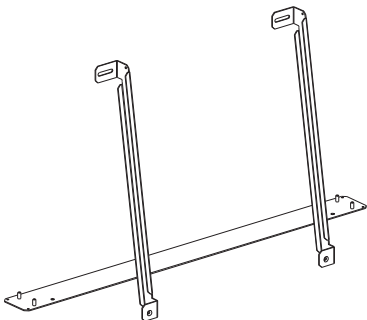
COMPONENT GUIDE FOR WALL ADAPTERS AND VERTICAL WALL BRACES

NET-CONTAIN UAC VERTICAL WALL ADAPTER, 600mm WIDE



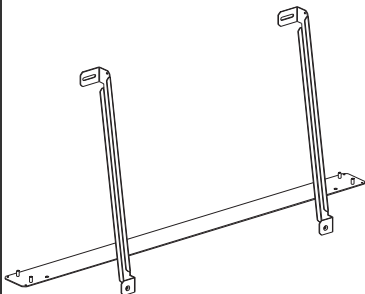
- CUVWA06S06ST****
- (2) HAC Diagonal Braces
- (1) 600mm HAC Adapter
- (1) Hardware Kit

NET-CONTAIN UAC VERTICAL WALL ADAPTER, 700mm WIDE



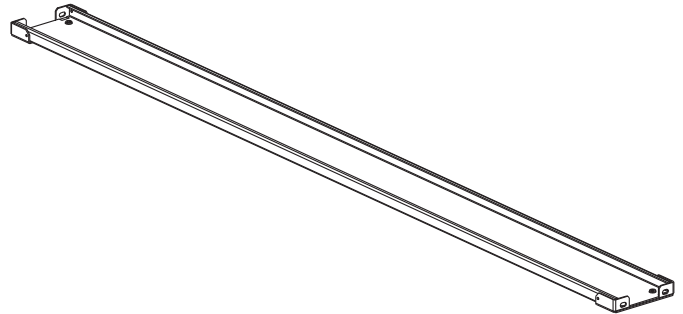
- CUVWA07S07ST****
- (2) HAC Diagonal Braces
- (1) 700mm HAC Adapter
- (1) Hardware Kit

NET-CONTAIN UAC VERTICAL WALL ADAPTER, 800mm WIDE



- CUVWA08S08ST****
- (2) HAC Diagonal Braces
- (1) 800mm HAC Adapter
- (1) Hardware Kit

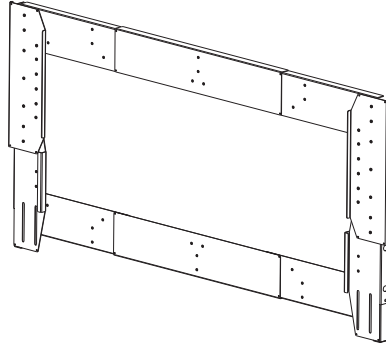
NET-CONTAIN UAC VERTICAL WALL BRACE, 4FT (1200mm) AISLE



- CUVWB12S12ST****
- (1) 1200mm Vertical Wall Brace
- (1) Hardware Kit

COMPONENT GUIDE FOR END OF ROW WALL

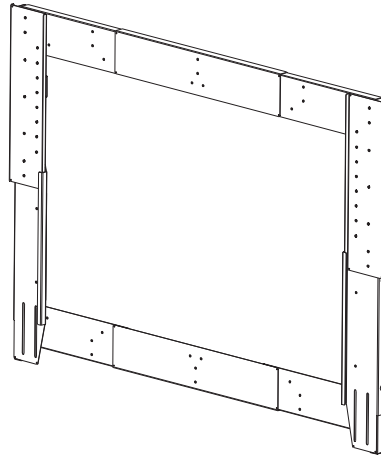
**NET-CONTAIN HAC
ADJUSTABLE END OF ROW
VERTICAL WALL (16" - 26")**



C2HACERI1626**

- (2) Center Frames
- (2) Center Cross Beams
- (1) Upper Right Cross Beam
- (1) Upper Left Cross Beam
- (1) Lower Right Cross Beam
- (1) Lower Left Cross Beam
- (4) 200mm Panel Clamps
- (6) 40mm Panel Clamps
- (1) 1626 Clear Panel
- (1) Hardware Kit

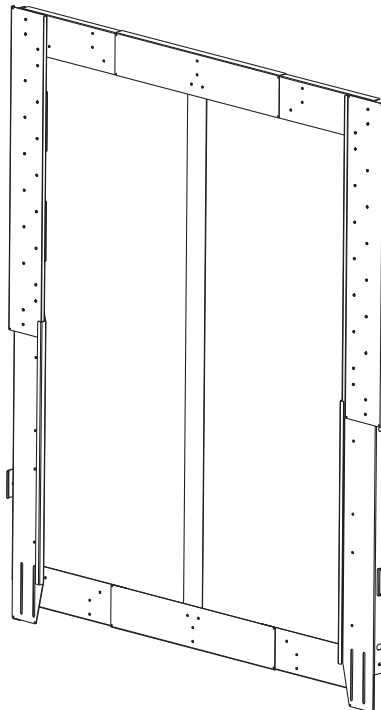
**NET-CONTAIN HAC
ADJUSTABLE END OF ROW
VERTICAL WALL (26" - 38")**



C2HACERI2638**

- (2) Center Frames
- (2) Center Cross Beams
- (1) Upper Right Cross Beam
- (1) Upper Left Cross Beam
- (1) Lower Right Cross Beam
- (1) Lower Left Cross Beam
- (6) 200mm Panel Clamps
- (4) 40mm Panel Clamps
- (1) 2638 Clear Panel
- (1) Hardware Kit

**NET-CONTAIN HAC
ADJUSTABLE END OF ROW
VERTICAL WALL (38" - 66")**

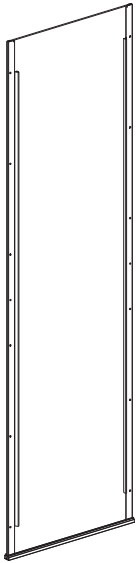


C2HACERI3866**

- (2) Center Frames
- (2) Center Cross Beams
- (1) Upper Right Cross Beam
- (1) Upper Left Cross Beam
- (1) Lower Right Cross Beam
- (1) Lower Left Cross Beam
- (8) 200mm Panel Clamps
- (6) 100mm Panel Clamps
- (2) Side Clamps
- (2) 3866 Clear Panels
- (1) H Channel
- (1) Hardware Kit

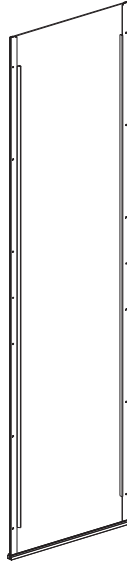
COMPONENT GUIDE FOR BLANKING PANELS

**NET-CONTAIN UAC FULL
BLANKING PANEL 42RU X
600mm WIDE**



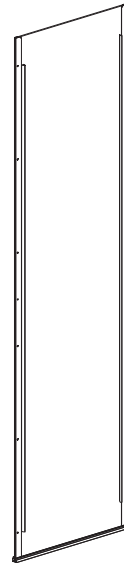
CUFBPR4206HB**
(1) 42RU Blanking Panel
(1) Wiring Duct
(1) Hardware Kit

**NET-CONTAIN UAC FULL
BLANKING PANEL 45RU X
600mm WIDE**



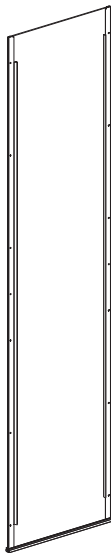
CUFBPR4506HB**
(1) 45RU Blanking Panel
(1) Wiring Duct
(1) Hardware Kit

**NET-CONTAIN UAC FULL
BLANKING PANEL 48RU X
600mm WIDE**



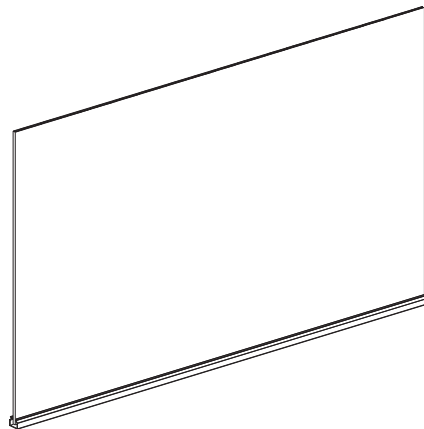
CUFBPR4806HB**
(1) 48RU Blanking Panel
(1) Wiring Duct
(1) Hardware Kit

**NET-CONTAIN UAC FULL BLANKING
PANEL 52RU X 600mm WIDE**



CUFBPR5206HB**
(1) 52RU Blanking Panel
(1) Wiring Duct
(1) Hardware Kit

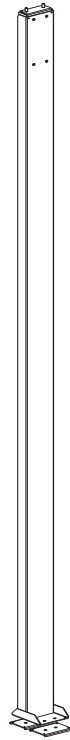
**NET-CONTAIN UAC TOP OF CABINET
BLANKING PANEL 600mm HIGH X
1000mm WIDE**



CUTBPR0610HB**
(1) 600mm Blanking Panel
(1) Wiring Duct
(1) Hardware Kit

COMPONENT GUIDE FOR MID ROW SUPPORT

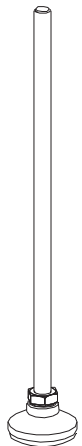
**NET-CONTAIN UAC MID-SPAN POST
42RU to 52RU HIGH**



CUSMPR52ST01**

- (1) Support Bracket
- (1) Support Post
- (2) Plates
- (1) Hardware Kit

**NET-CONTAIN UAC MID-SPAN CABINET
SUPPORT, 300mm HIGH**



CUCMSS03ST01NC

- (1) 300mm Long Threaded Rod
- (1) Swivel Leveling Mount
- (1) Hardware Kit

**NET-CONTAIN UAC MID-SPAN CABINET
SUPPORT, 600mm HIGH**



CUCMSS06ST01NC

- (1) 600mm Long Threaded Rod
- (1) Swivel Leveling Mount
- (1) Hardware Kit

Table of Contents

Section 1 - Installation Universal End of Row Frame

Attaching Post Extensions and Supports to Post (42RU Set-Up Only).....	17
Attaching Post Extensions and Supports with Spacers to Post (45RU Set-Up Only).....	19
Attaching Post Extensions and Supports to Post (48RU Set-Up Only).....	21
Attaching Post Extensions and Supports with Spacers to Post (52RU Set-Up Only).....	23
Containment System Layout.....	25
Attaching Post to Floor.....	27
Install Post Foot Cover.....	28
Attaching End of Row Beam (42RU, 45RU, and 48RU Set-Ups Only).....	29
Attaching Transom with Panel and End of Row Beam (52RU Set-Up Only).....	30
Attaching Transom with Panel (48RU Set-Up Only).....	31
Attaching Transom (42RU - 45RU Set-Ups Only).....	32
Attaching Vertical Wall Panels (For 1800 wide Only).....	33
Components from the End of Row Frame to be installed in later sections.....	34

Section 2 - Installation of Wall Beams, Mid-Span Support Post and Mid-Span Cabinet Support Rod

Aligning Wall Beams.....	36
Attaching Wall Beam Connector.....	37
Attaching Wall Beam Ganging Bracket.....	38
Mid-Span Support for Wall Beams.....	39
Supporting Wall Beams using Mid-Span Cabinet Support.....	39
Supporting Wall Beams using Threaded Rod.....	39
Locating Mid-Span Support Post.....	40
Attaching Support Bracket to Support Post.....	41
Attaching Support Post to Floor.....	42
Attaching Wall Beam Assembly to End of Row Frames.....	43
Attaching Vertical Wall End of Row Beam with 1200 Brackets and Foam Seal (Vertical Wall 1200 wide Set-up only).....	44
Securing Wall Beam (For 1200mm Vertical Wall Containment Set-Up Only).....	46
Securing Wall Beam (For 1200/1800mm Roofing Containment Set-Up Only).....	47
Attaching Roofing Beam (For Roofing Containment Set-Up Only).....	48
Installing Wall Beam Clamp.....	49
Attaching Flap Seal to Wall Beam Clamp.....	50

Table of Contents

Section 3 - Installation of Roofing

Installing Aisle Containment Roofing Aisle Beam.....	52
Placing Ceiling Panel.....	53
Securing Aisle Containment Roofing Aisle Beam.....	54
Securing Ceiling Panel.....	55

Section 4 - Installation of Vertical Walls, Vertical Wall Adapter and Vertical Wall Brace

Installing Vertical Wall Brace.....	57
Installing Vertical Wall Adapter.....	58
Attaching Wall Brace to Vertical Wall.....	59
Applying Foam Seal to Vertical Wall.....	60
Installing Vertical Wall.....	61
Setting Wall Panel Height.....	62
Sizing Upper Seal.....	63
Attaching Upper Seal.....	64
Attaching Foam to Lower Seal.....	65
Attaching Lower Seal.....	66

Section 5 - Installation of End of Row Vertical Wall

Attaching Lower Side Frame.....	68
Attaching Lower Cross Beams.....	69
Attaching Upper Cross Beams.....	70
Attach Foam Seal to Upper Side Frame.....	71
Attaching Upper Side Frame.....	72
Attach Center Cross Beams.....	73
Attach Center Frames.....	74
Assemble H Channel [For End of Row Adjustable Vertical Wall, 38" - 66" (C2HACER13866 Only)].....	75
Attach H Channel to Center Frame [For End of Row Adjustable Vertical Wall, 38" - 66" (C2HACER13866 Only)].....	76
Mark and Cut H Channel [For End of Row Adjustable Vertical Wall, 38" - 66" (C2HACER13866 Only)].....	77
Measure and Cut Wall Panel.....	78
Attaching H Channel to Clear Panels [For End of Row Adjustable Vertical Wall, 38" - 66" (C2HACER13866 Only)].....	79
Attach Bottom and Side Wall Panel Clamps.....	80
Insert Wall Panel.....	81
Attach Top and Remaining Side Wall Panel Clamps.....	82
Foam Seal Installation.....	83

Table of Contents

Section 6 and Alternate Section 6 - Installation of Net-Contain Sliding Doors

Foam Seal Installation.....	85
Install Door Brackets onto Doors.....	86
Install Doors to End of Row Frame.....	87
Level Doors.....	88
Alternate Section 6	
Attaching Transom.....	90
Flap Seal Installation.....	91
Attaching Vertical Panel (for 900mm/1200mm Aisles).....	92
Attaching Vertical Panel (for 1800mm Aisles Only).....	93
Panel Cover Installation (for 900mm/1200mm Aisles).....	94
Panel Cover Installation (for 1800mm Aisles).....	95
Attaching Door Guides.....	96
Header Installation.....	97
Right Hand Sliding Door Set-Up.....	98
Left Hand Sliding Door Set-Up.....	99
Sliding Door Installation.....	100
Adjusting Sliding Door Height.....	101
Adjusting Door Seals.....	102
Adjusting Door Damper.....	103
Attaching Cover Caps.....	104
Header Cover Installation.....	105

Section 7 - Installation of Blanking Panels

Cutting Blanking Panels.....	107
Placing First Lower Guide.....	108
Additional Lower Guides.....	109
Blanking Panel Installation.....	110
Over Lapping Blanking Panels.....	111
Sizing Above Cabinet Blanking Panel.....	112
Placing Lower Guide (For Above Cabinet Blanking Panel Only).....	113
Blanking Panel Installation (For Above Cabinet Blanking Panel Only).....	114

SECTION 1

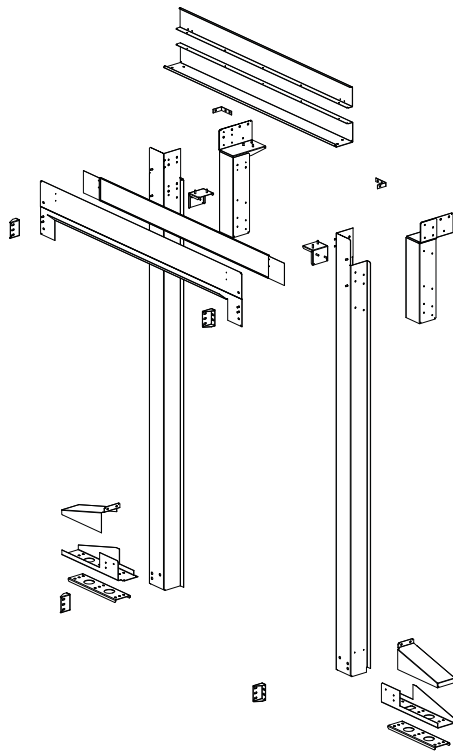
INSTALLATION OF UNIVERSAL END OF ROW FRAMES

CUEFRT8W04

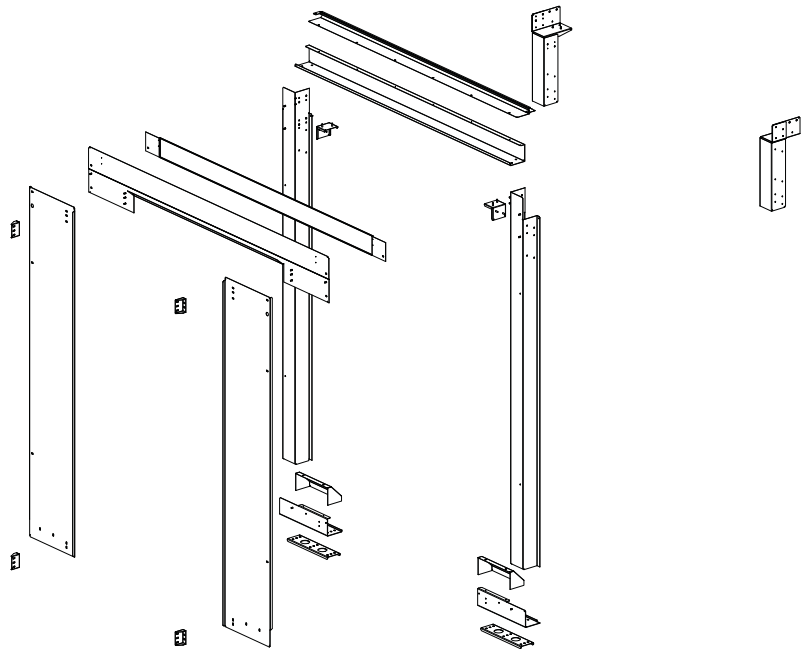
CUEFRT9W04

CUEFRT8W06

CUEFRT9W06



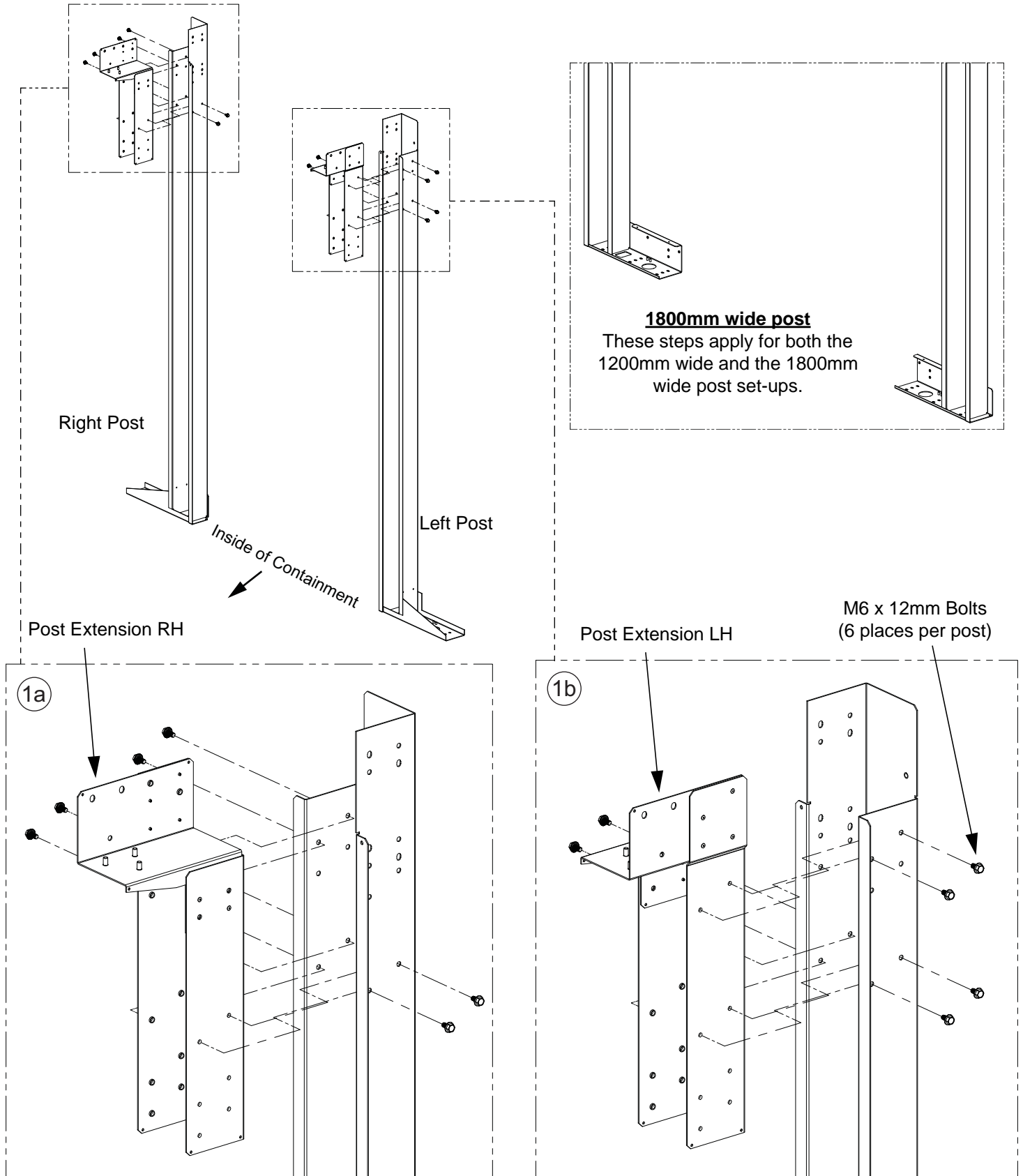
1200mm (4 Ft) WIDE

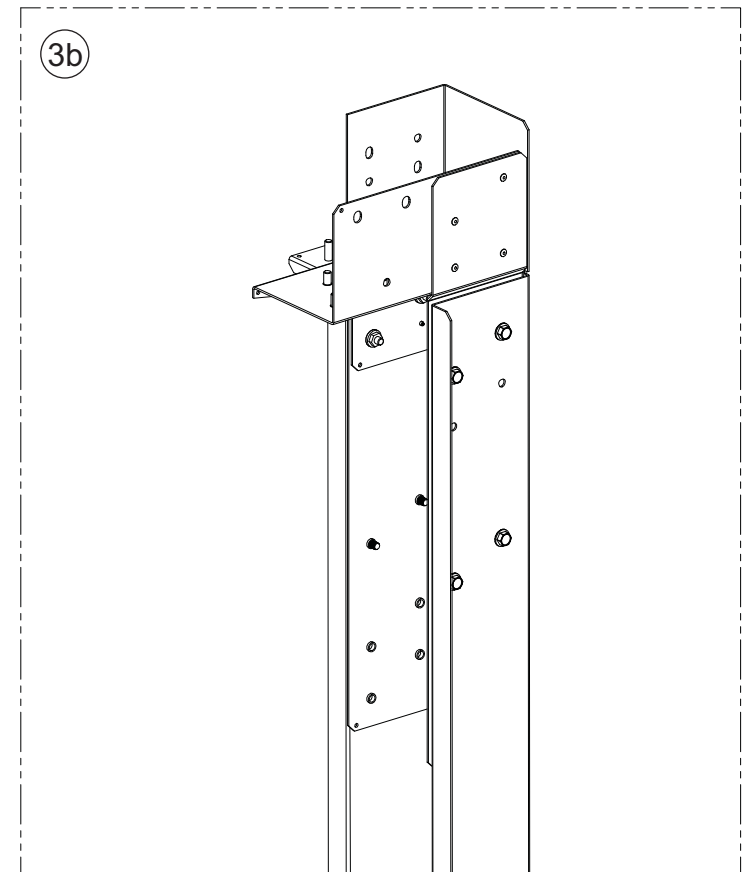
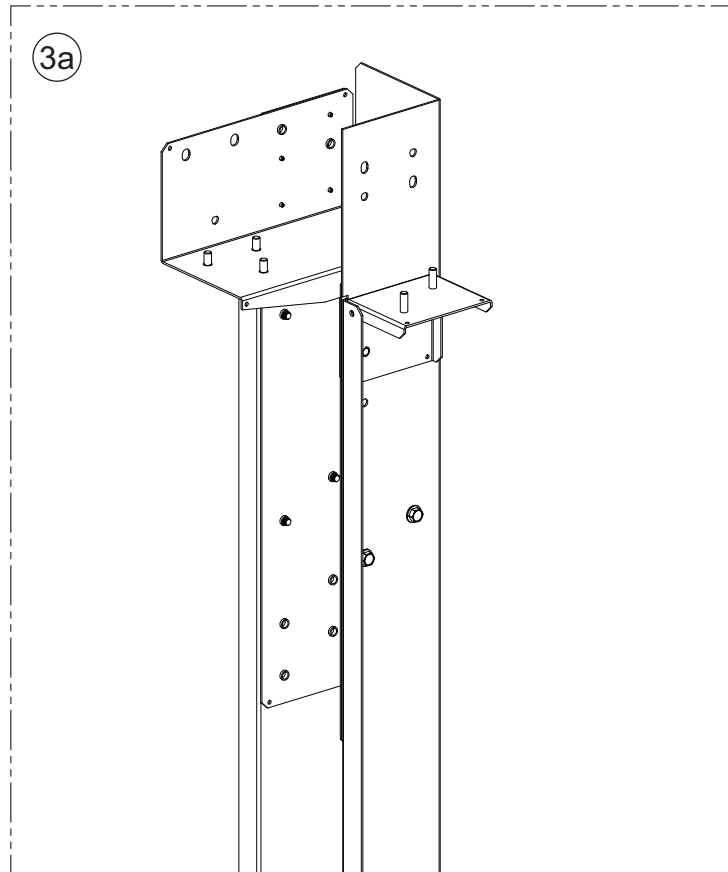
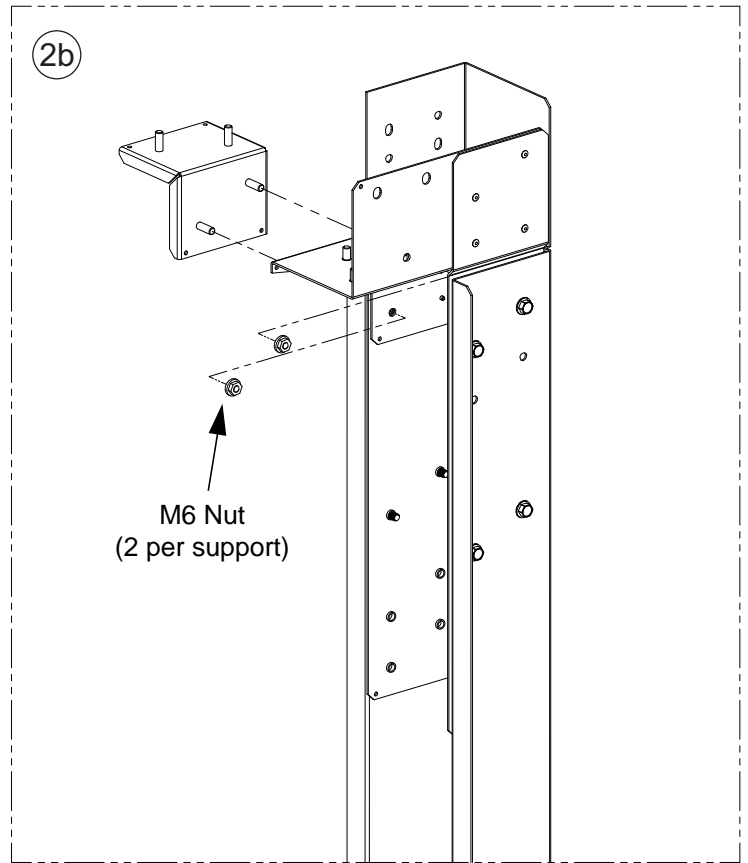
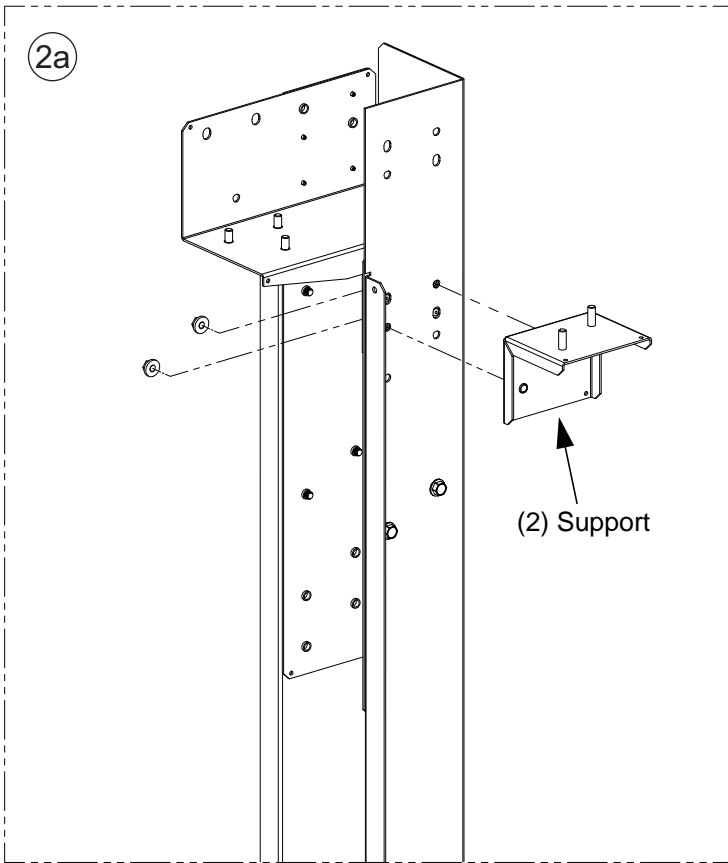


1800mm (6 Ft) WIDE

Attaching Post Extensions and Supports to Post (42RU)

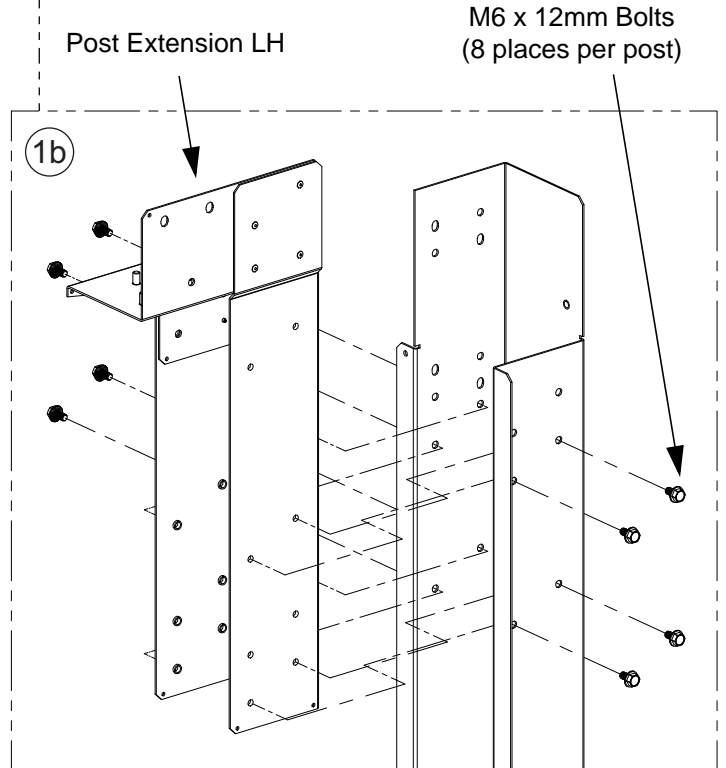
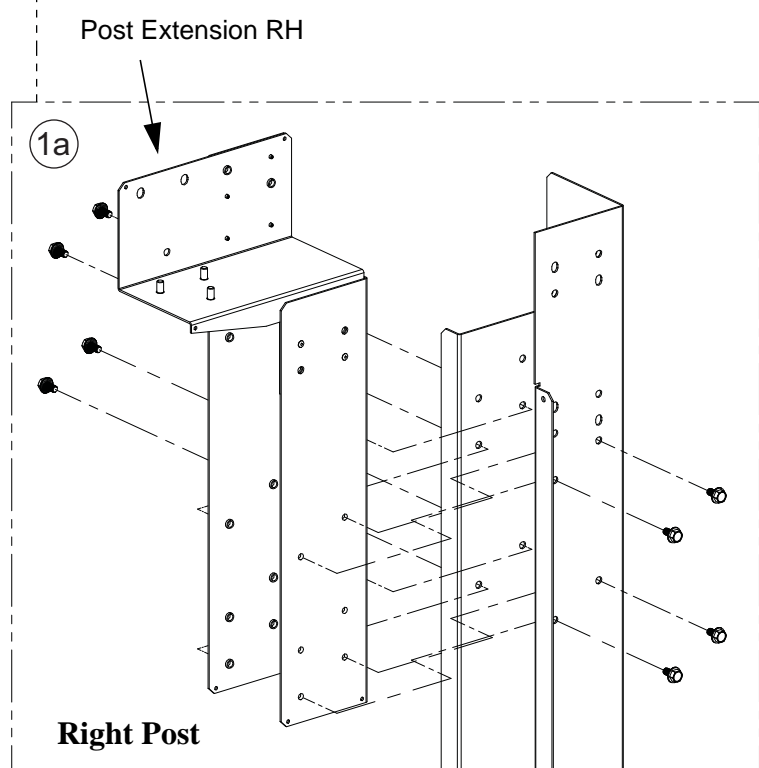
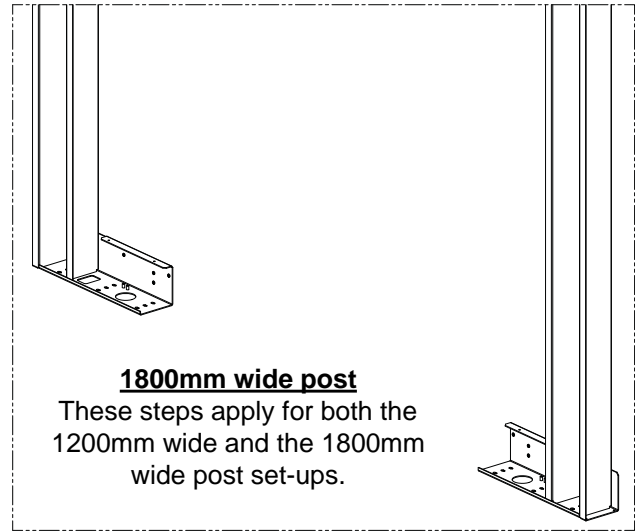
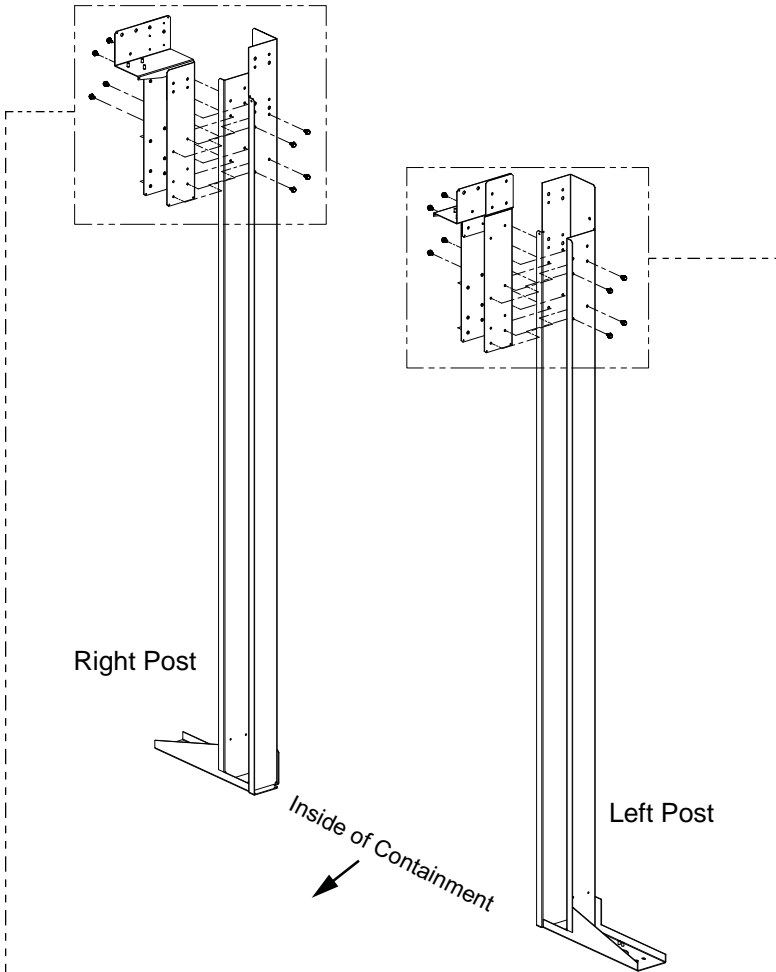
Note: Shown on 1200mm wide post



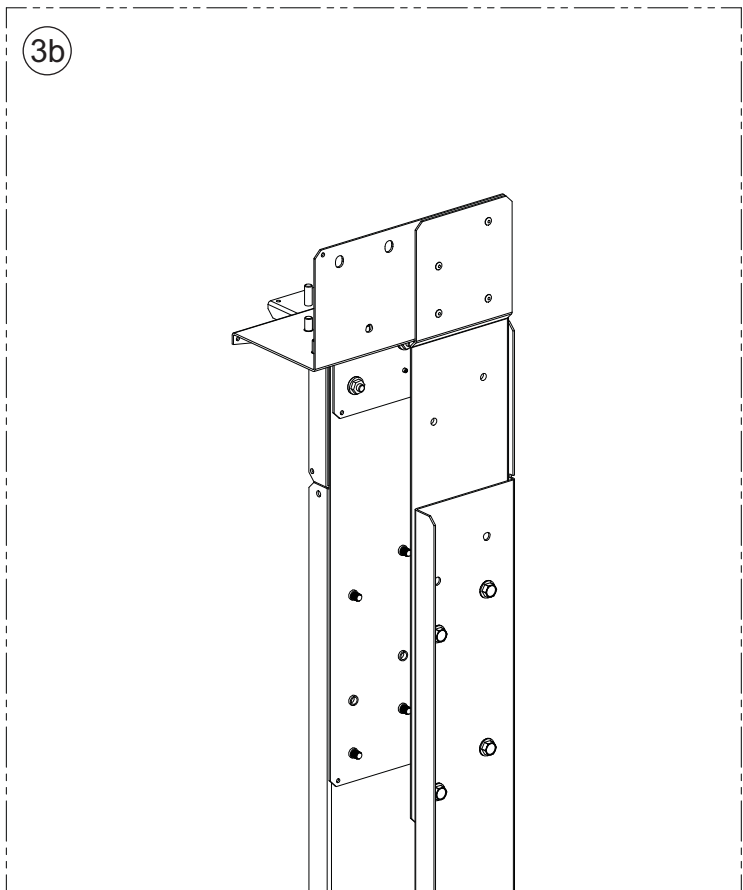
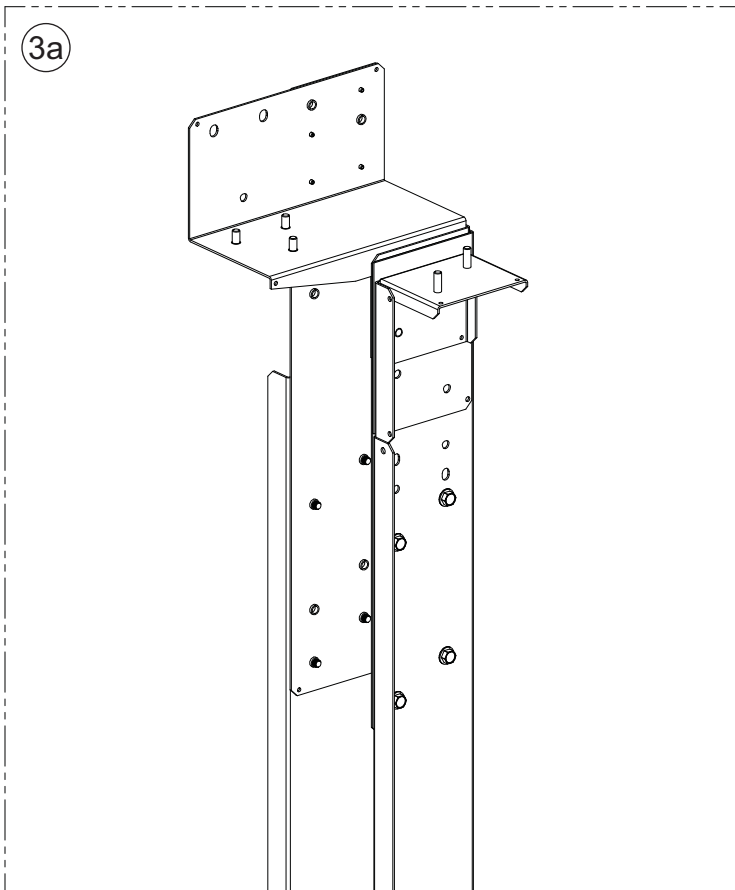
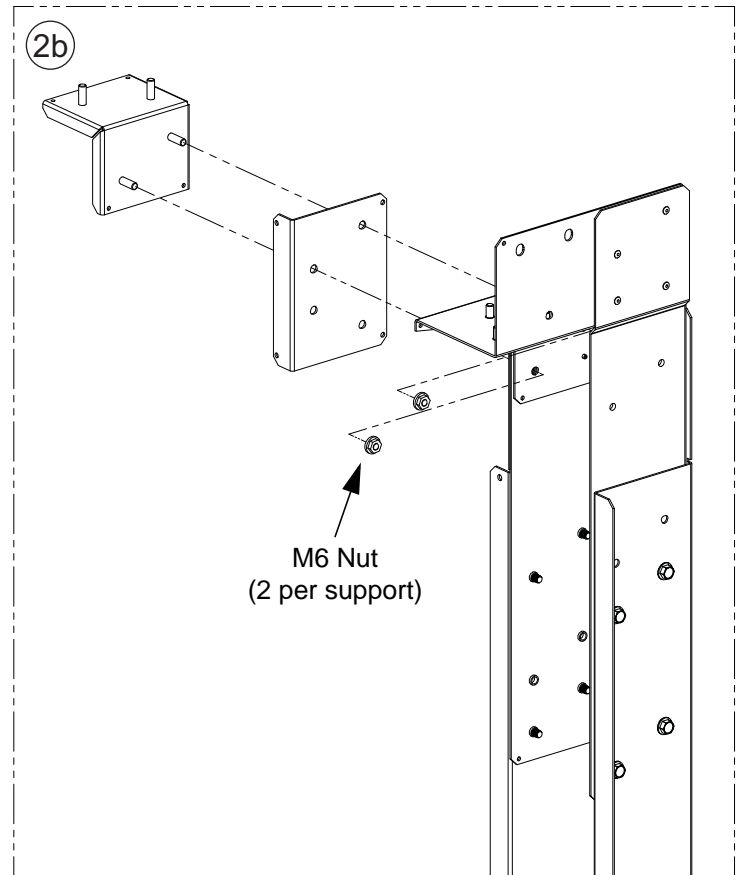
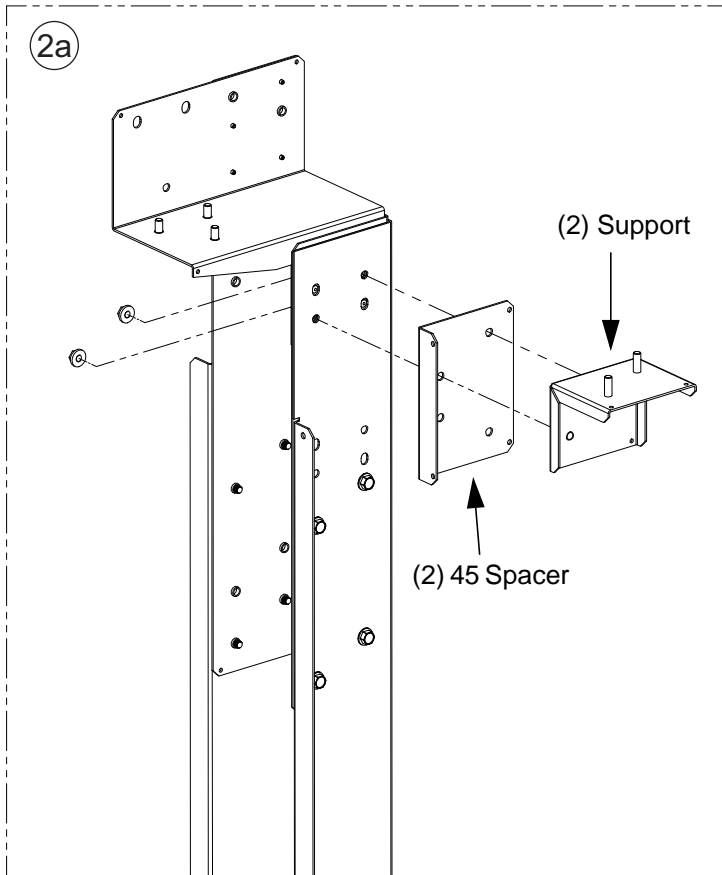


Attaching Post Extensions and Supports with Spacers to Post (45RU)

Note: Shown on 1200mm wide post

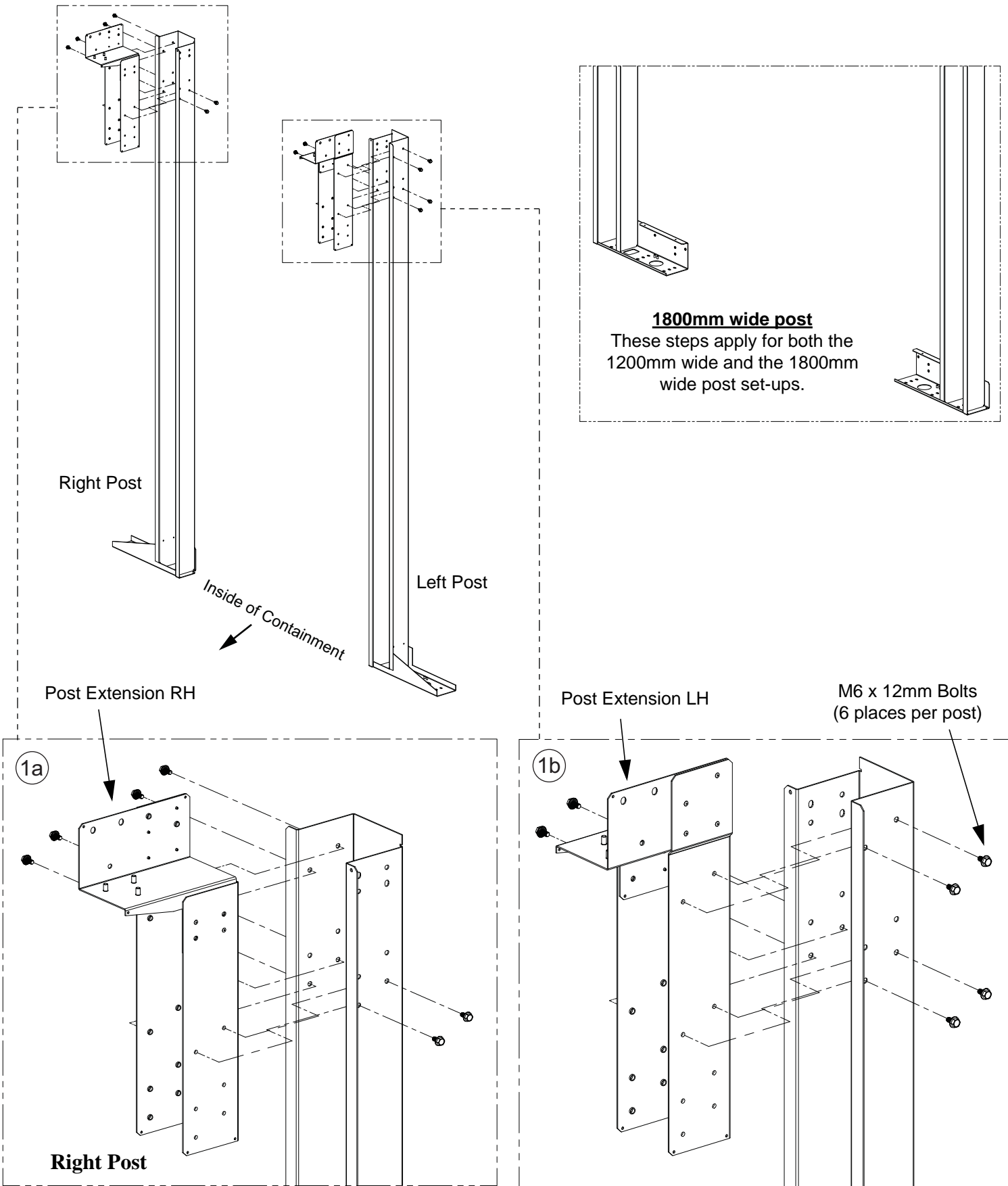


For Technical Support: www.panduit.com/resources/install_maintain.asp

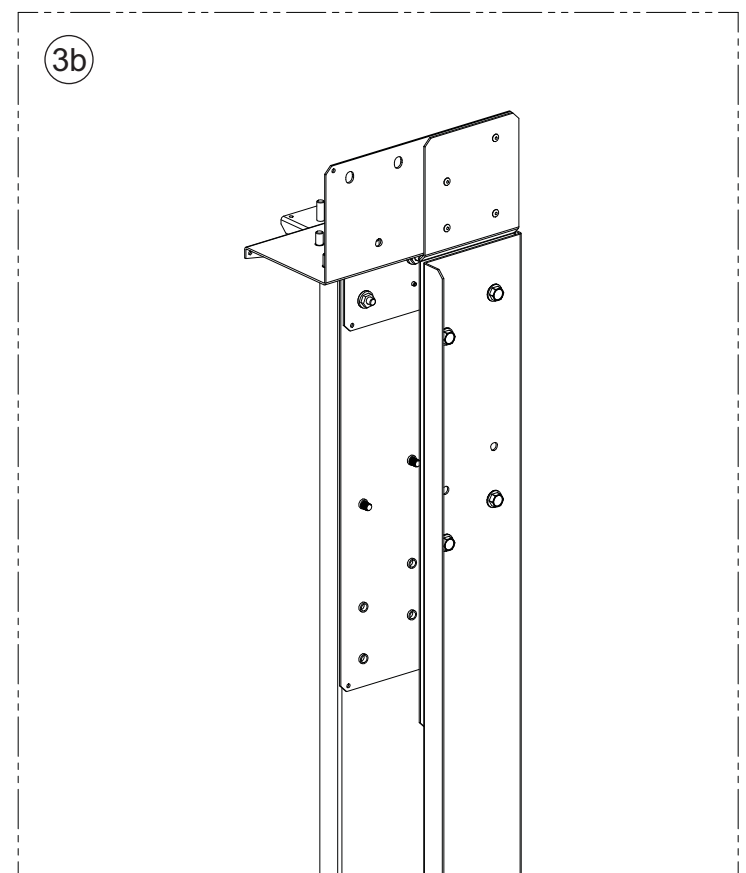
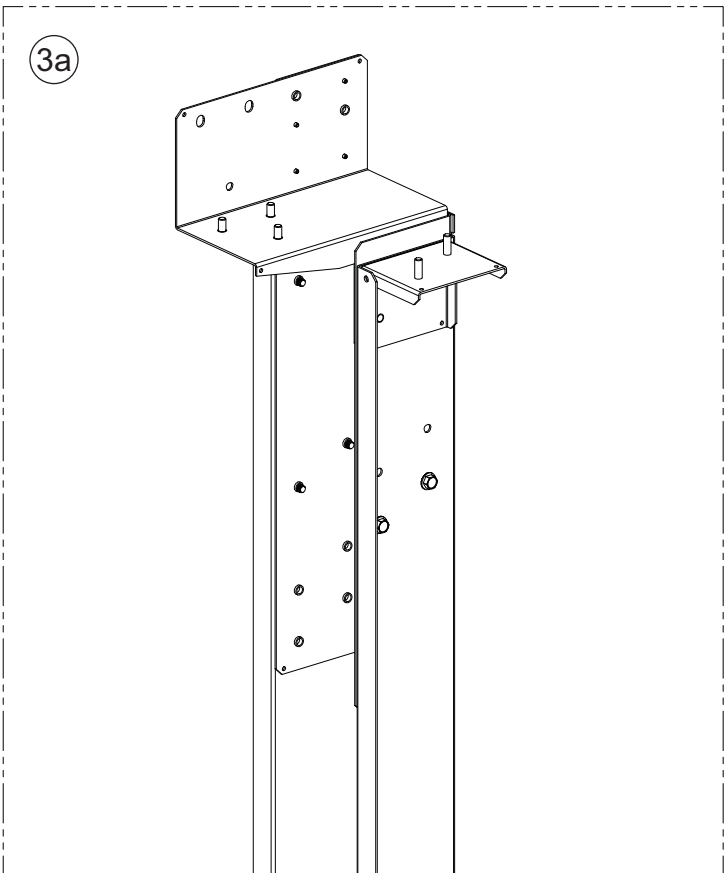
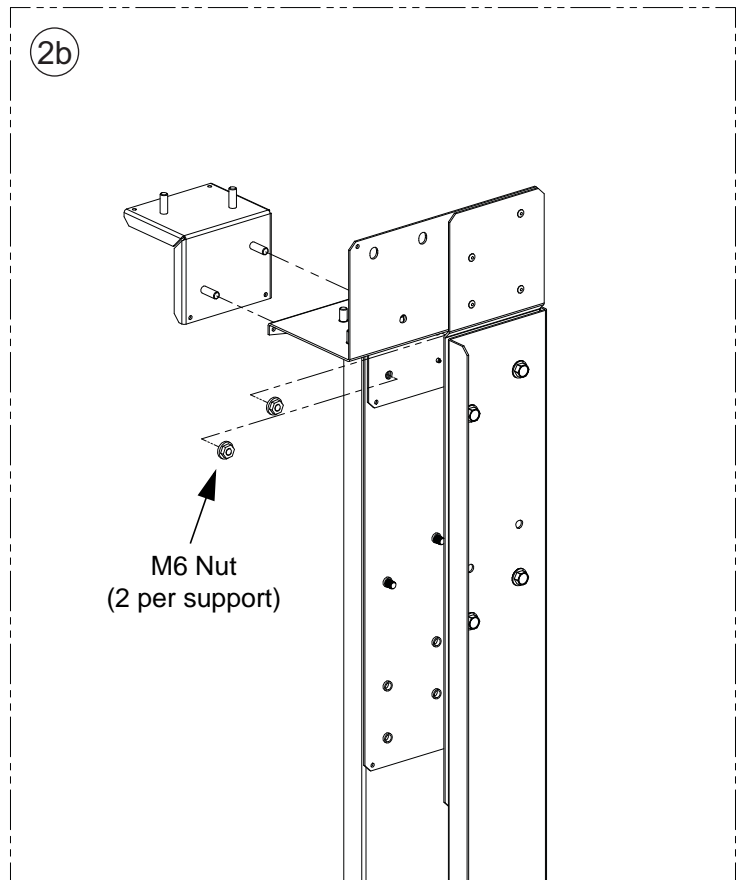
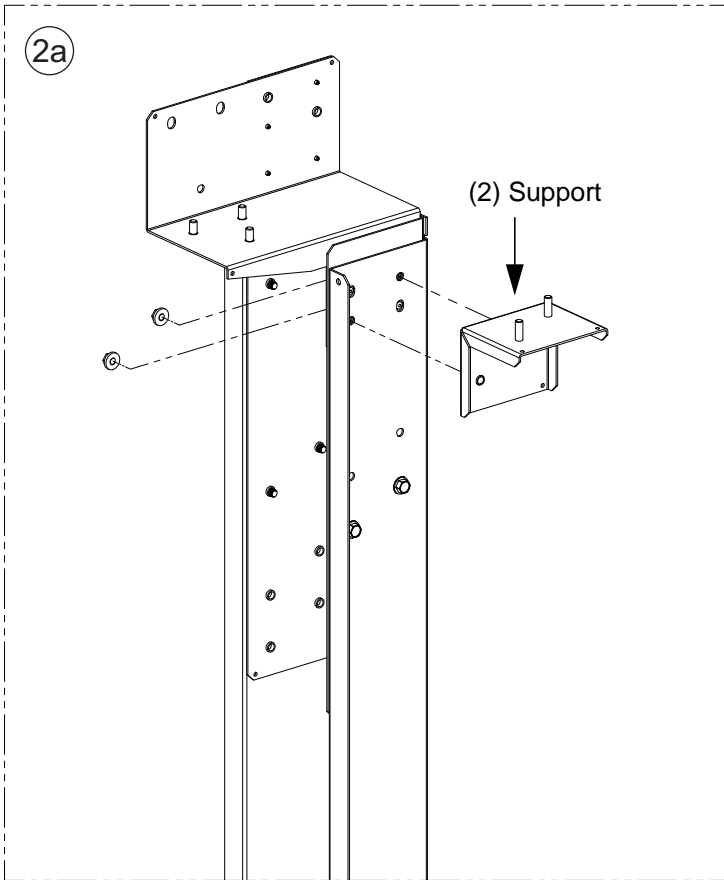


Attaching Post Extensions and Supports to Post (48RU)

Note: Shown on 1200mm wide post

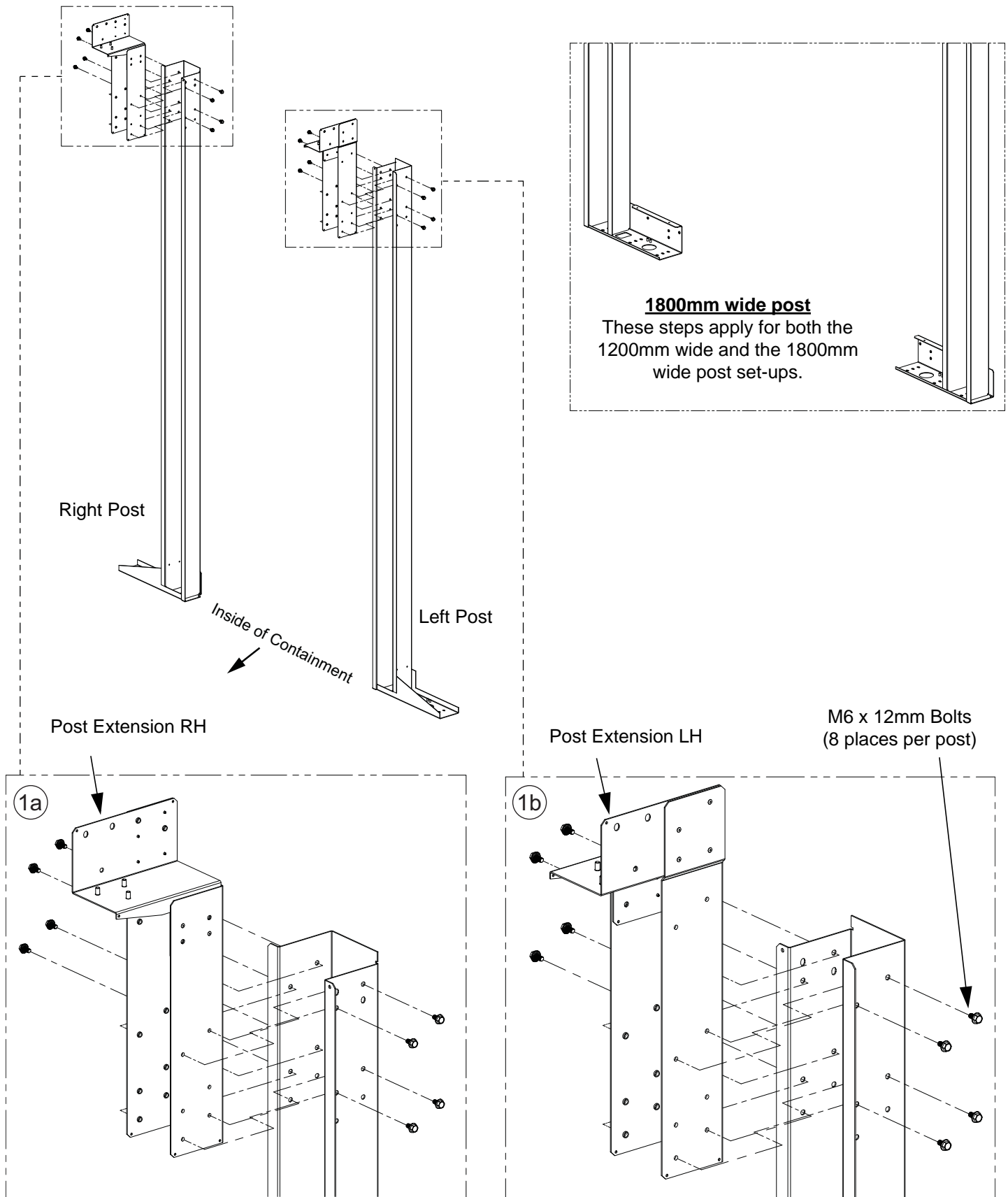


For Technical Support: www.panduit.com/resources/install_maintain.asp

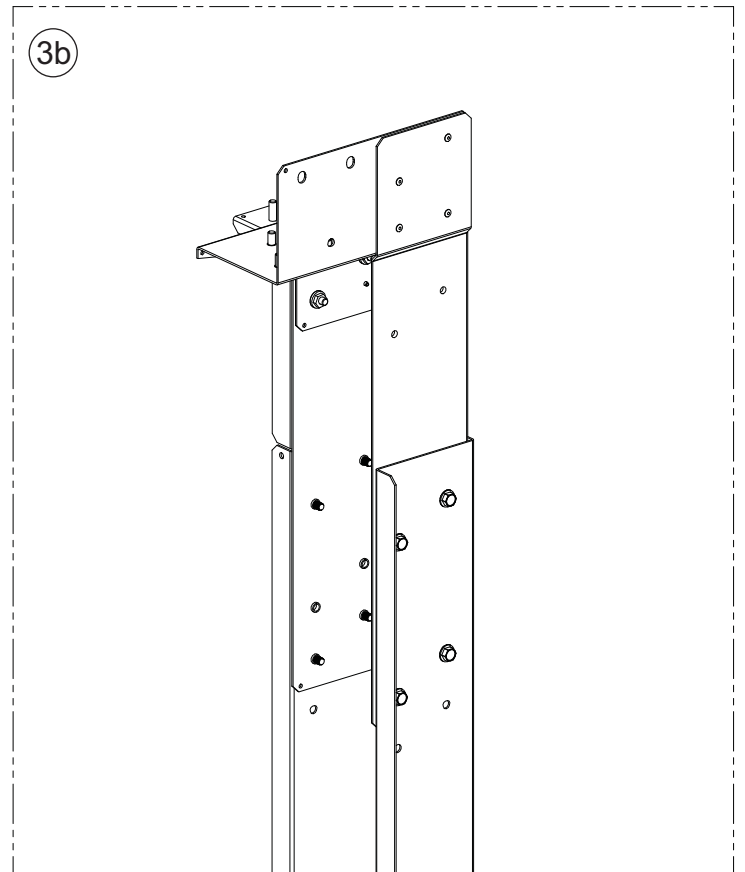
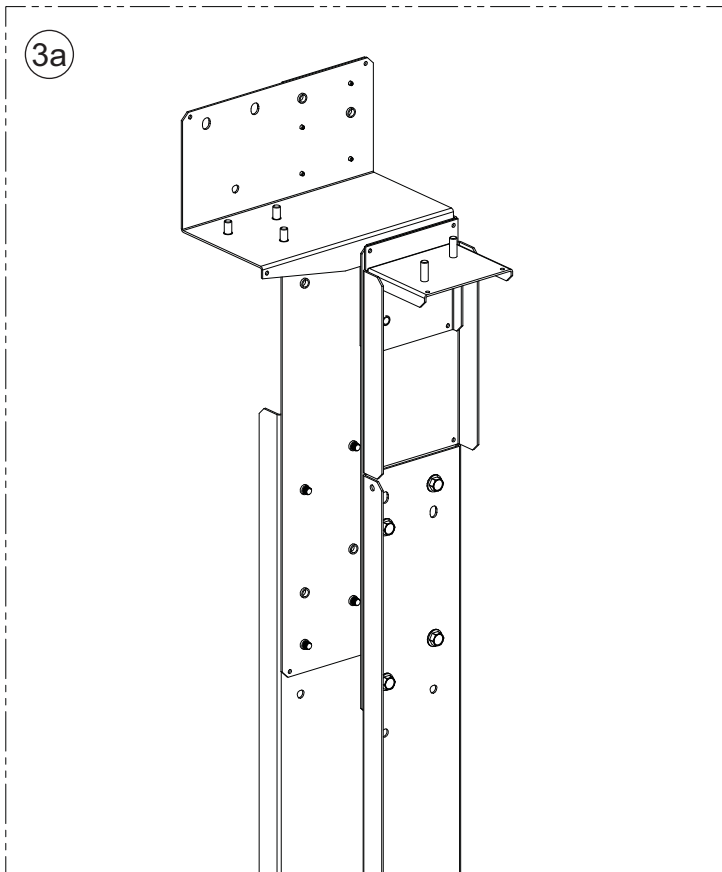
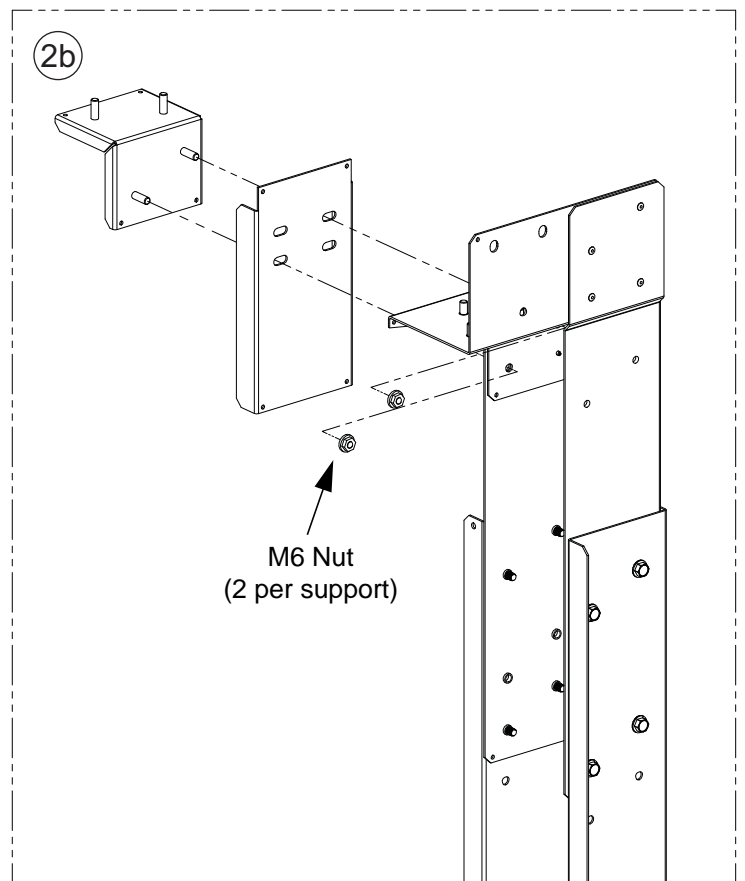
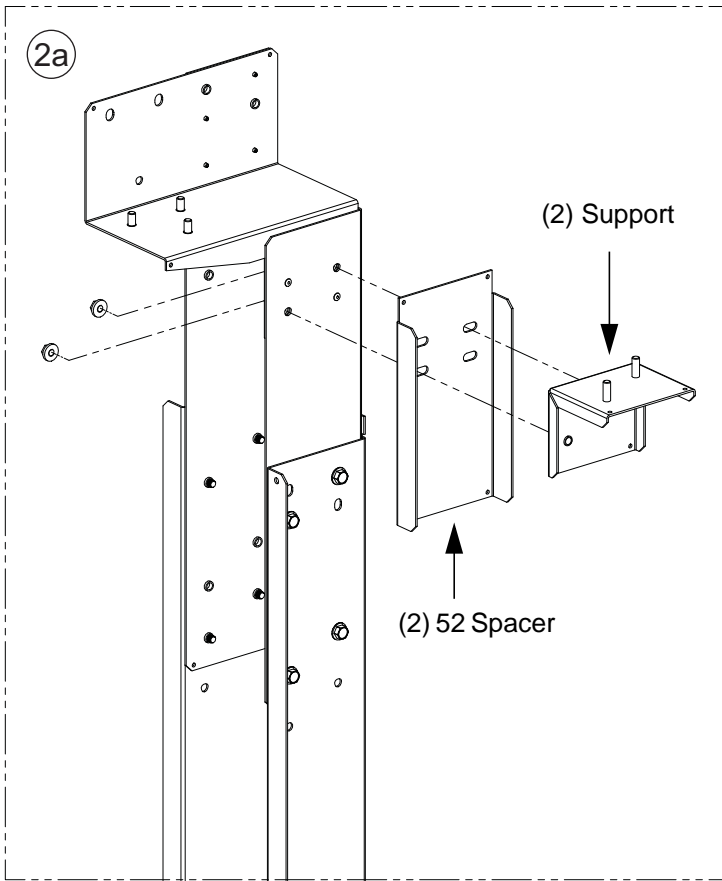


Attaching Post Extensions and Supports with Spacers to Post (52RU)

Note: Shown on 1200mm wide post

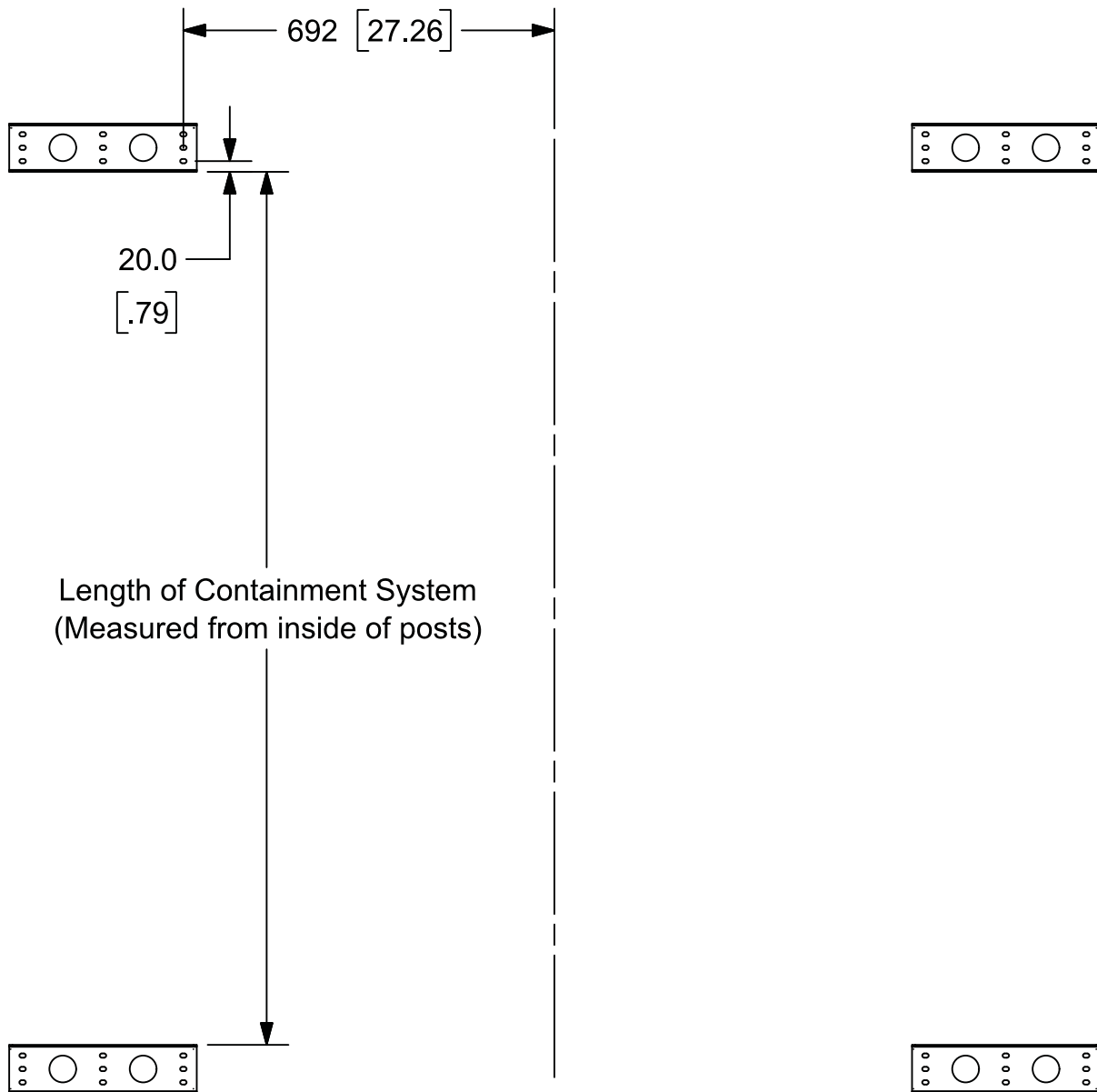


For Technical Support: www.panduit.com/resources/install_maintain.asp

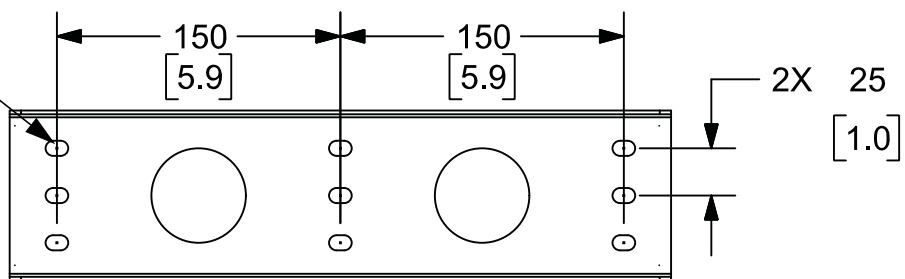


Containment System Layout

- The containment system length is measured from inside of posts, as shown below.
- The drill layout shown below applies to both aisle widths (1200mm and 1800mm).

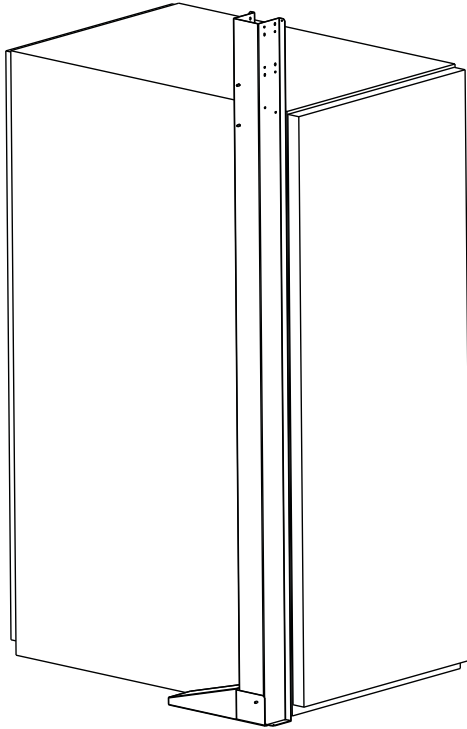


Drill (9) 8mm (5/16")
Clearance Holes

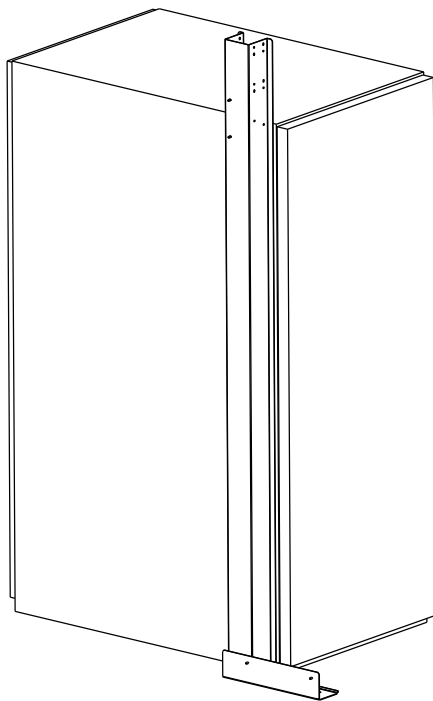
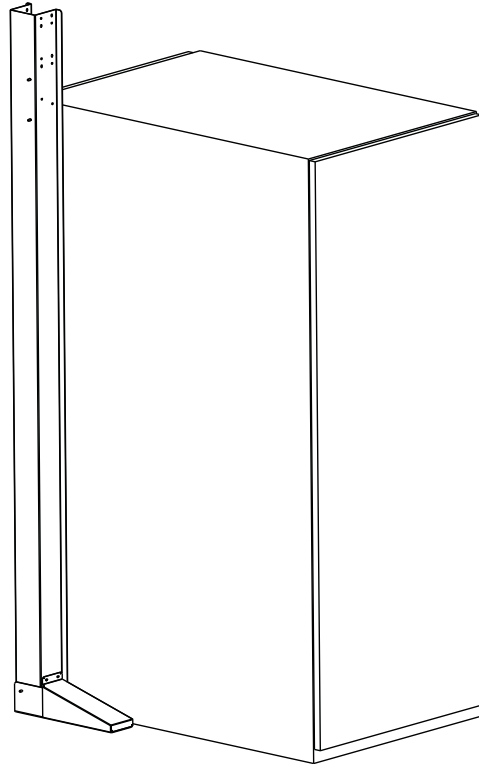


Detail A

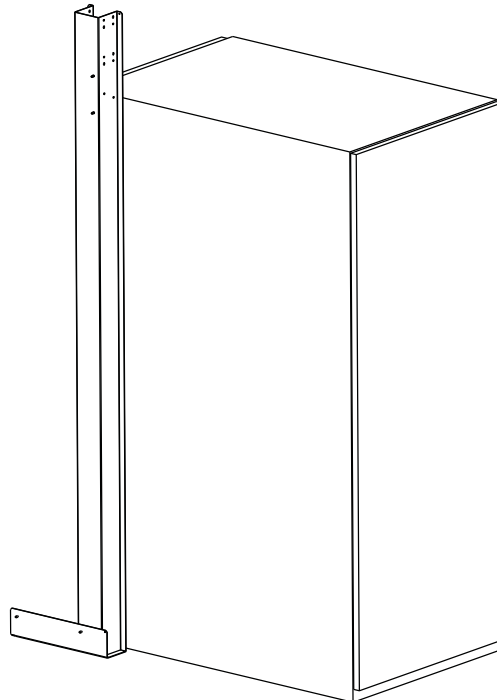
Containment System Layout



1200mm (4ft) Aisle



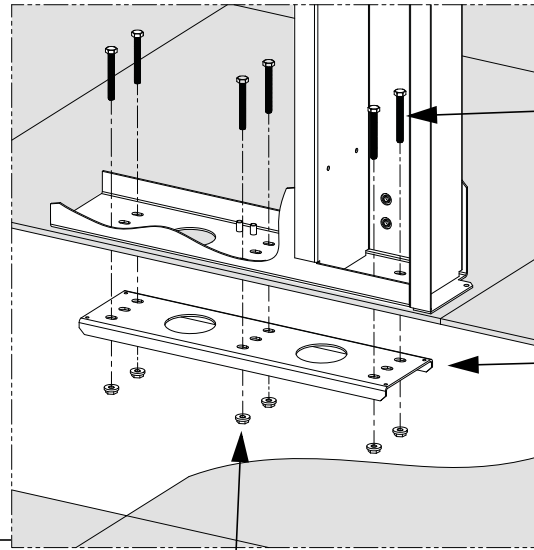
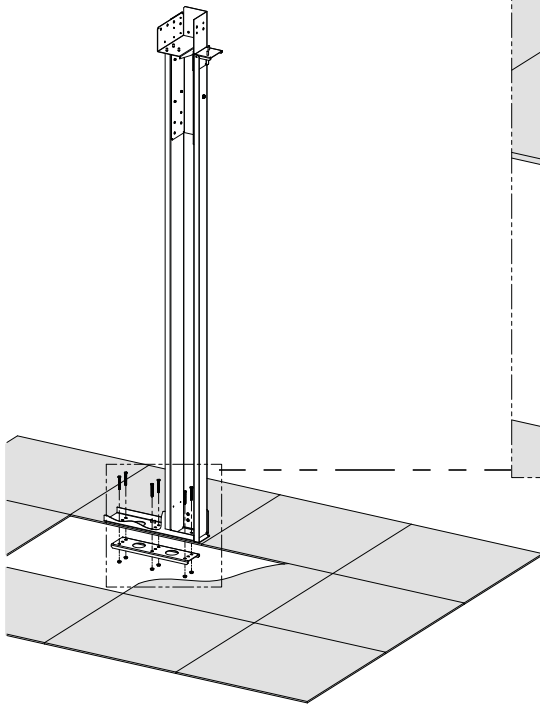
1800mm (6ft) Aisle



Attaching Post to Floor

- From the floor, remove a tile that is directly next to the tile that you will be attaching the post to.
- Have (1) person hold the post in place aligning the holes in the foot with the pilot holes in the tile.
- Have another person insert (6) M6 x 1 x 50mm hex head bolts through post feet on the top of the foot of the post.
- From underneath the tile slide (1) Support Plate over the (6) M6 x 1 x 50mm hex head bolts and secure into place with (6) M6 nuts.
- Repeat process for second post.

1200mm Aisle Posts

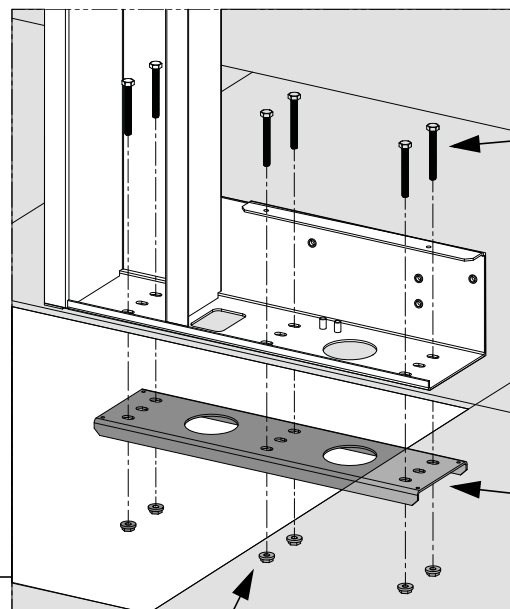
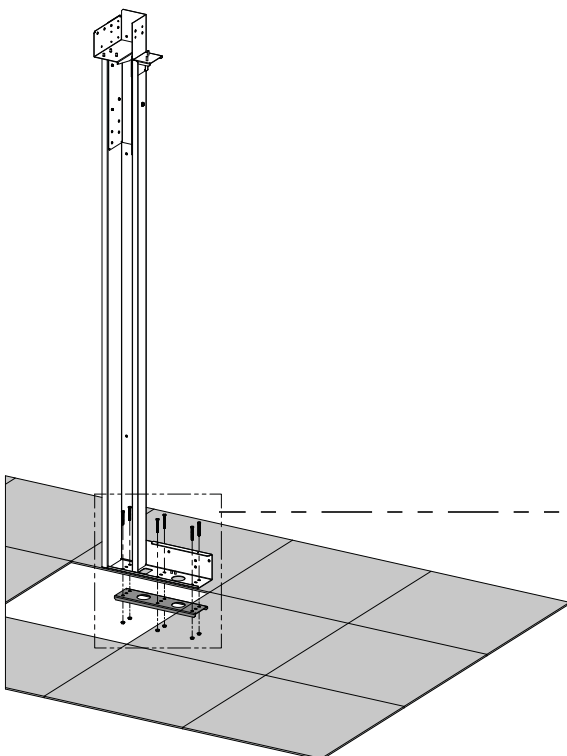


M6 x 1 x 70mm
Hex Head Bolt
(6 per Support Plate)

Support Plate

M6 Nut
(6 per Support Plate)

1800mm Aisle Posts



M6 x 1 x 70mm
Hex Head Bolt
(6 per Support Plate)

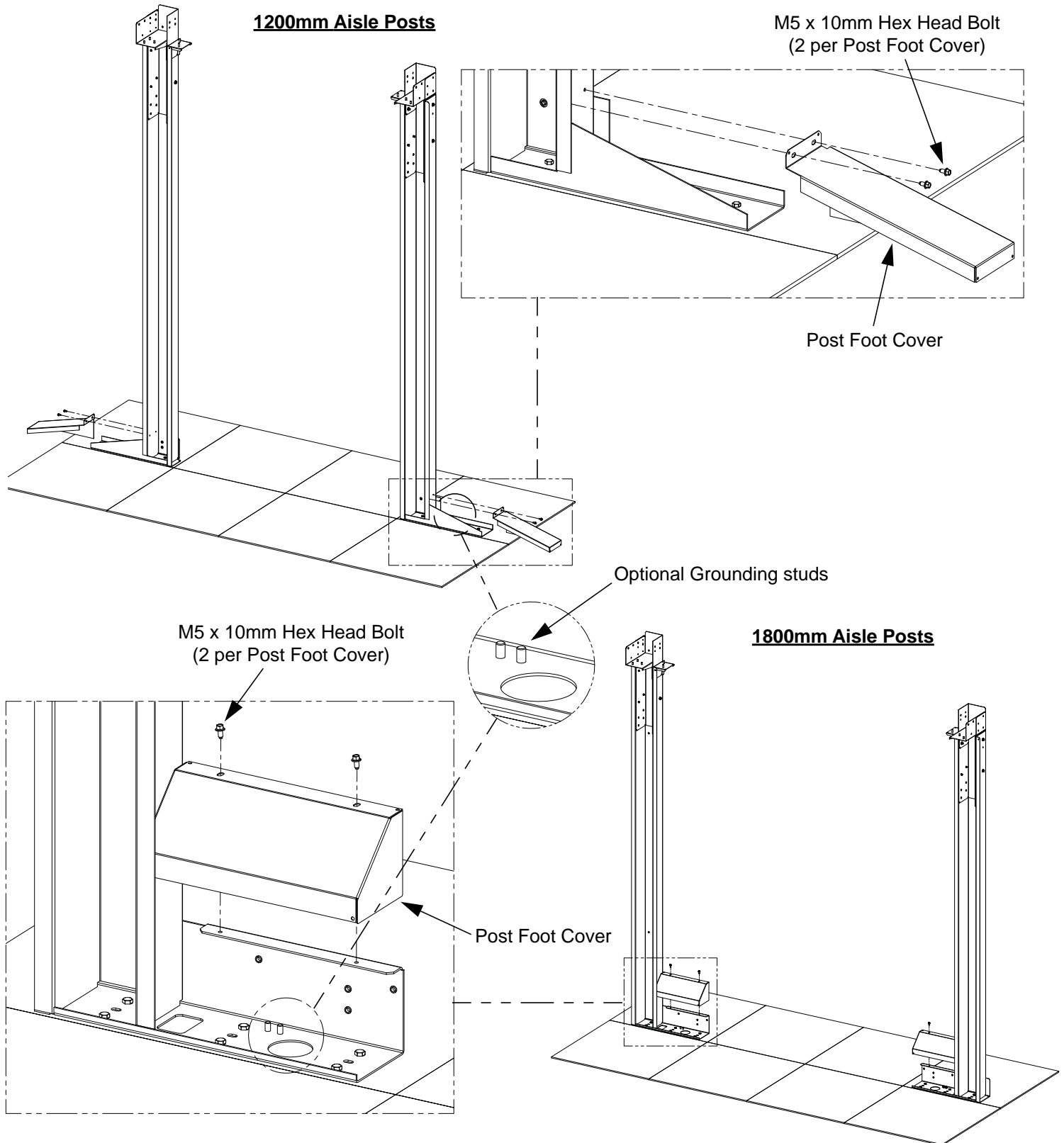
Support Plate

M6 Nut
(6 per Support Plate)

Install Post Foot Cover

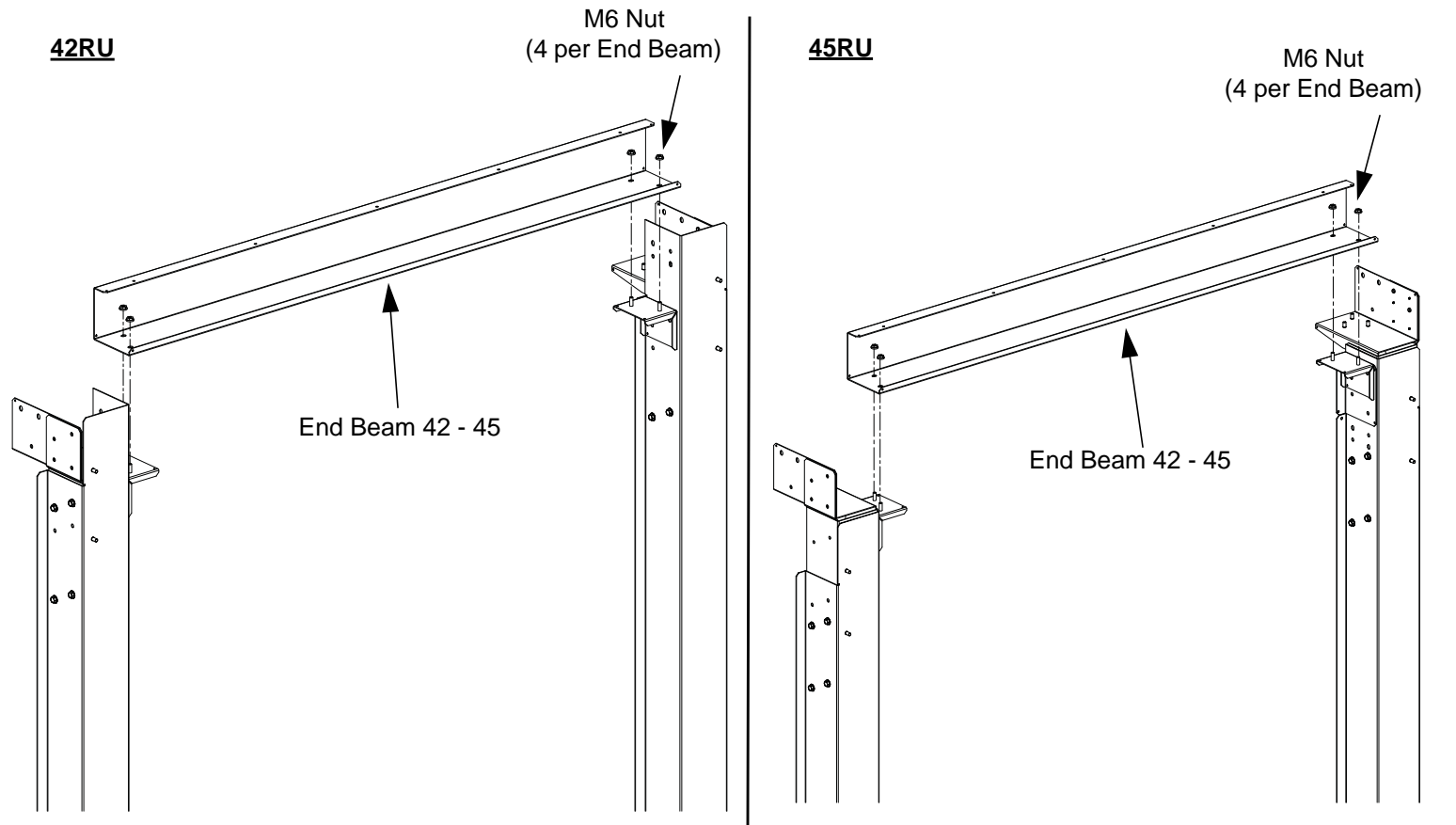
- Slide the foot covers onto the post foot.
- Secure foot covers in place with (2) M5x10mm hex head screws.

Optional: Grounding studs and routing access holes are located in post feet. Complete any grounding prior to installing Post Foot Covers.

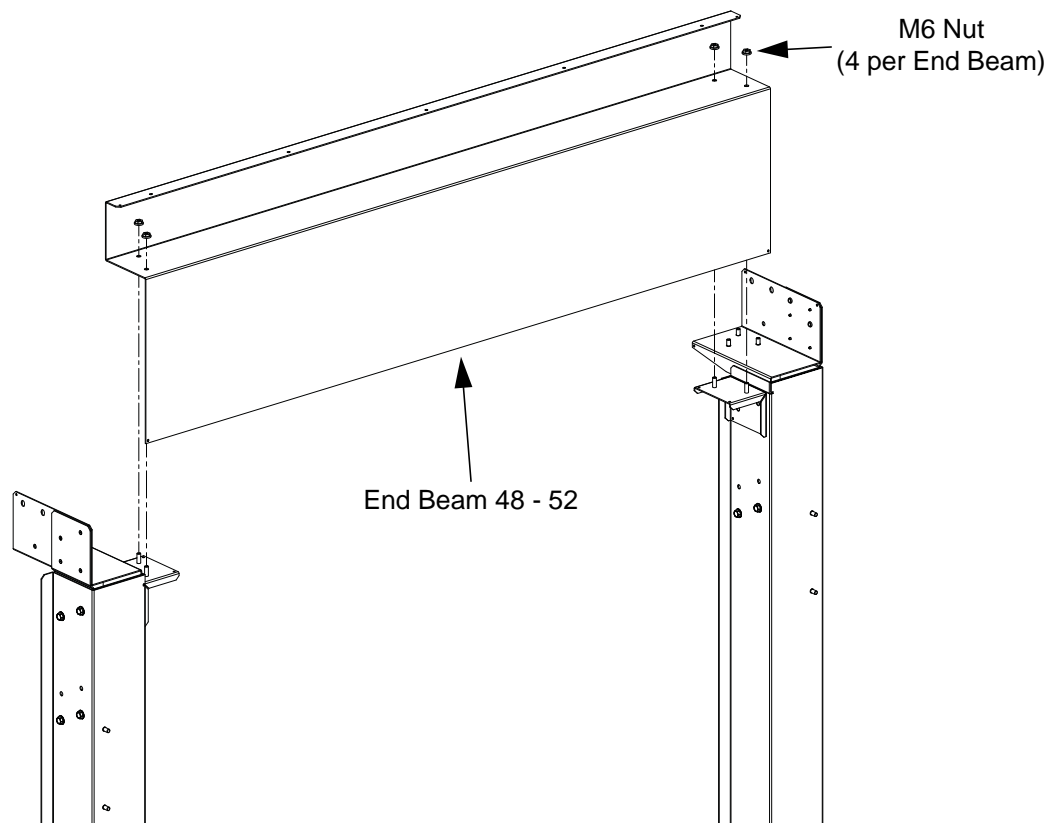


Attaching End of Row Beam (For 52RU Only, DO NOT Install the End Beam at this point)

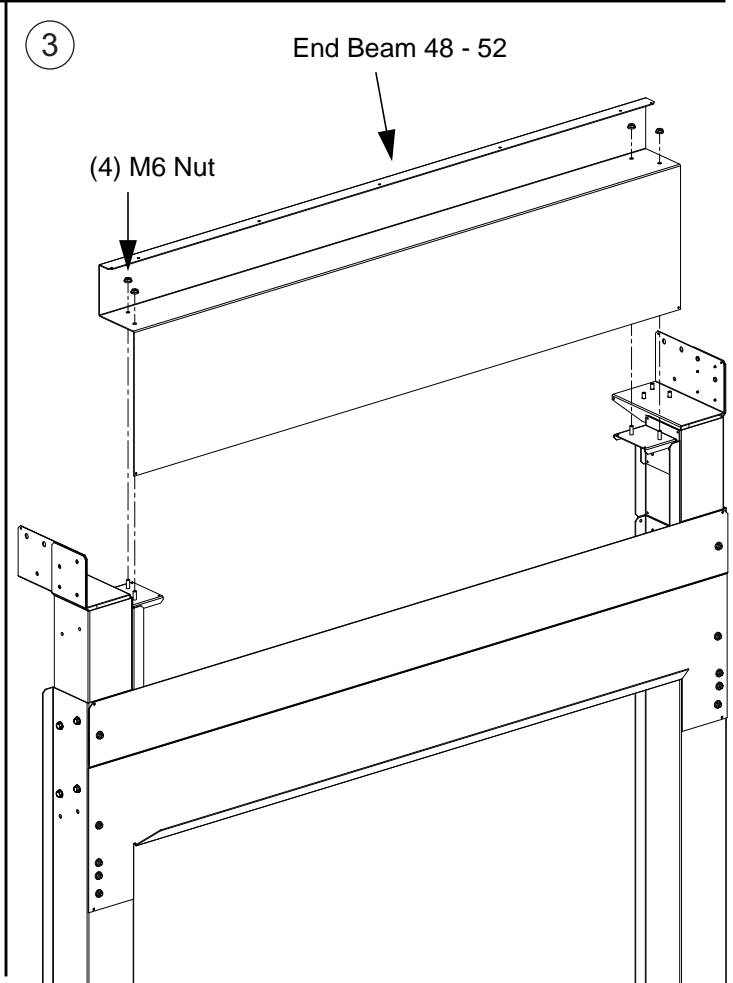
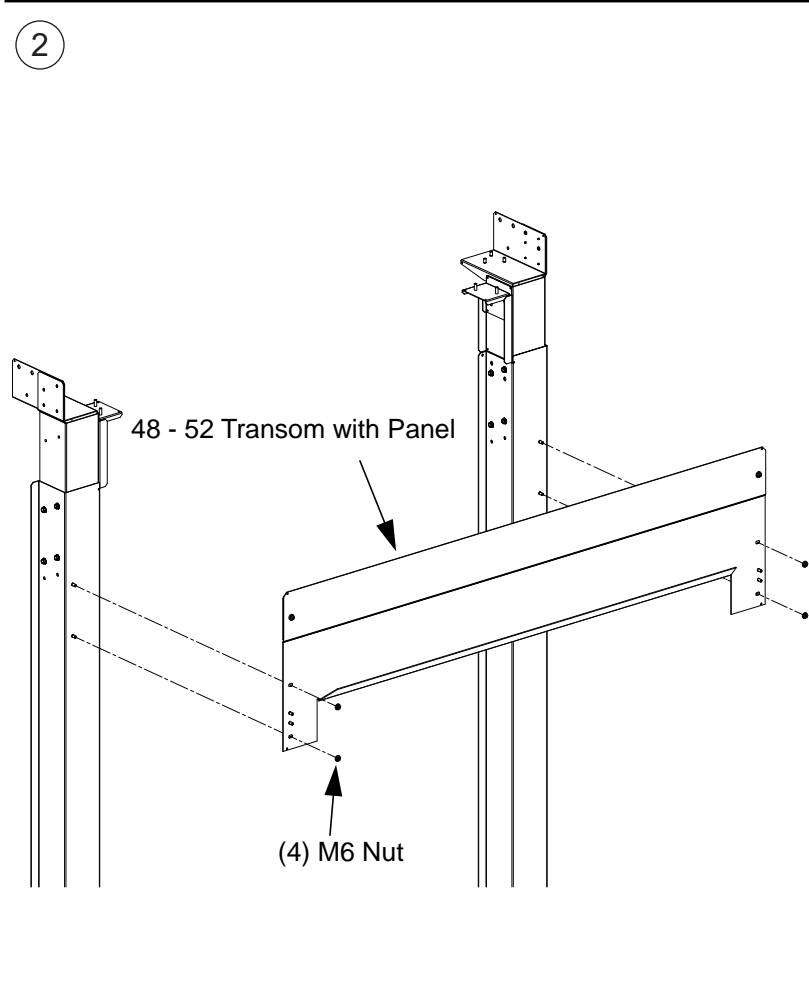
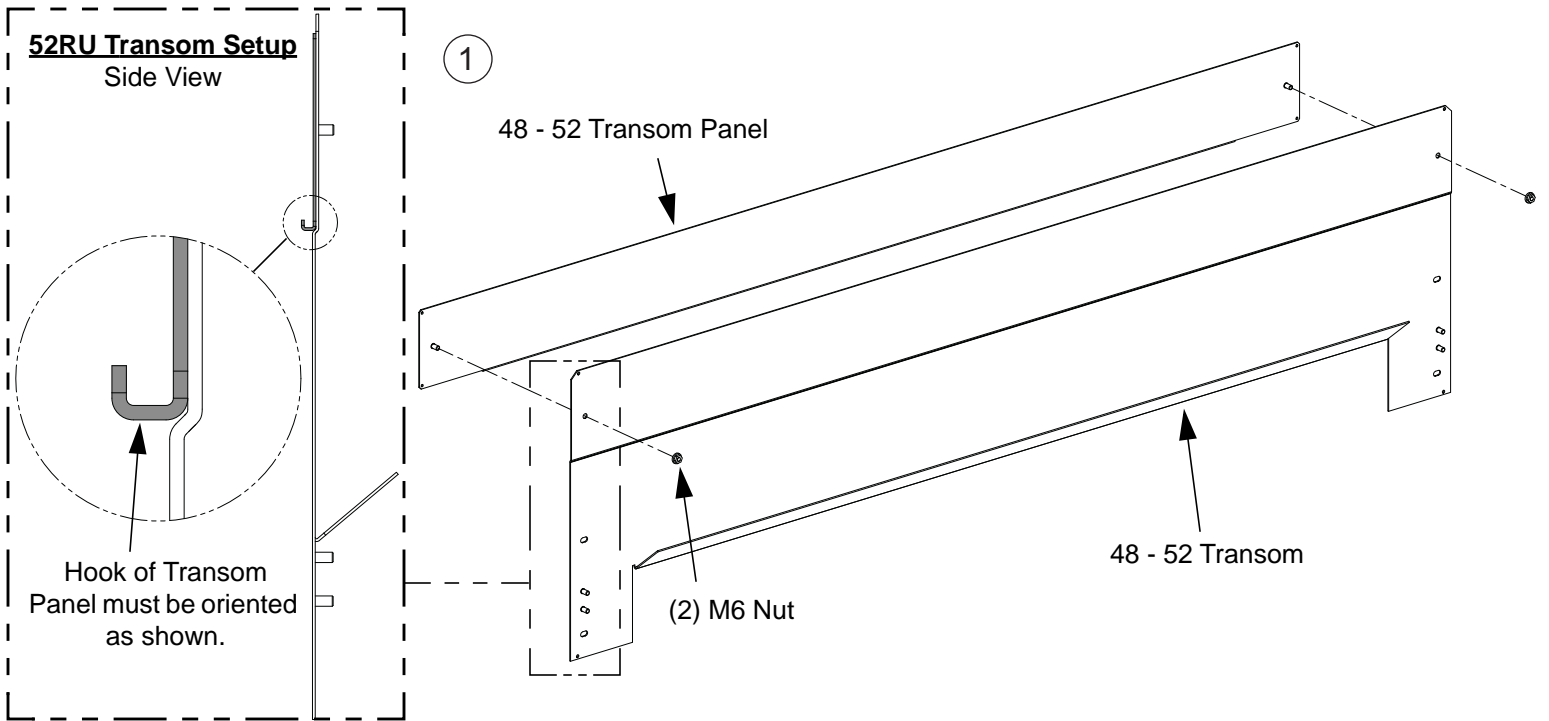
Note: Shown on 1200mm wide post



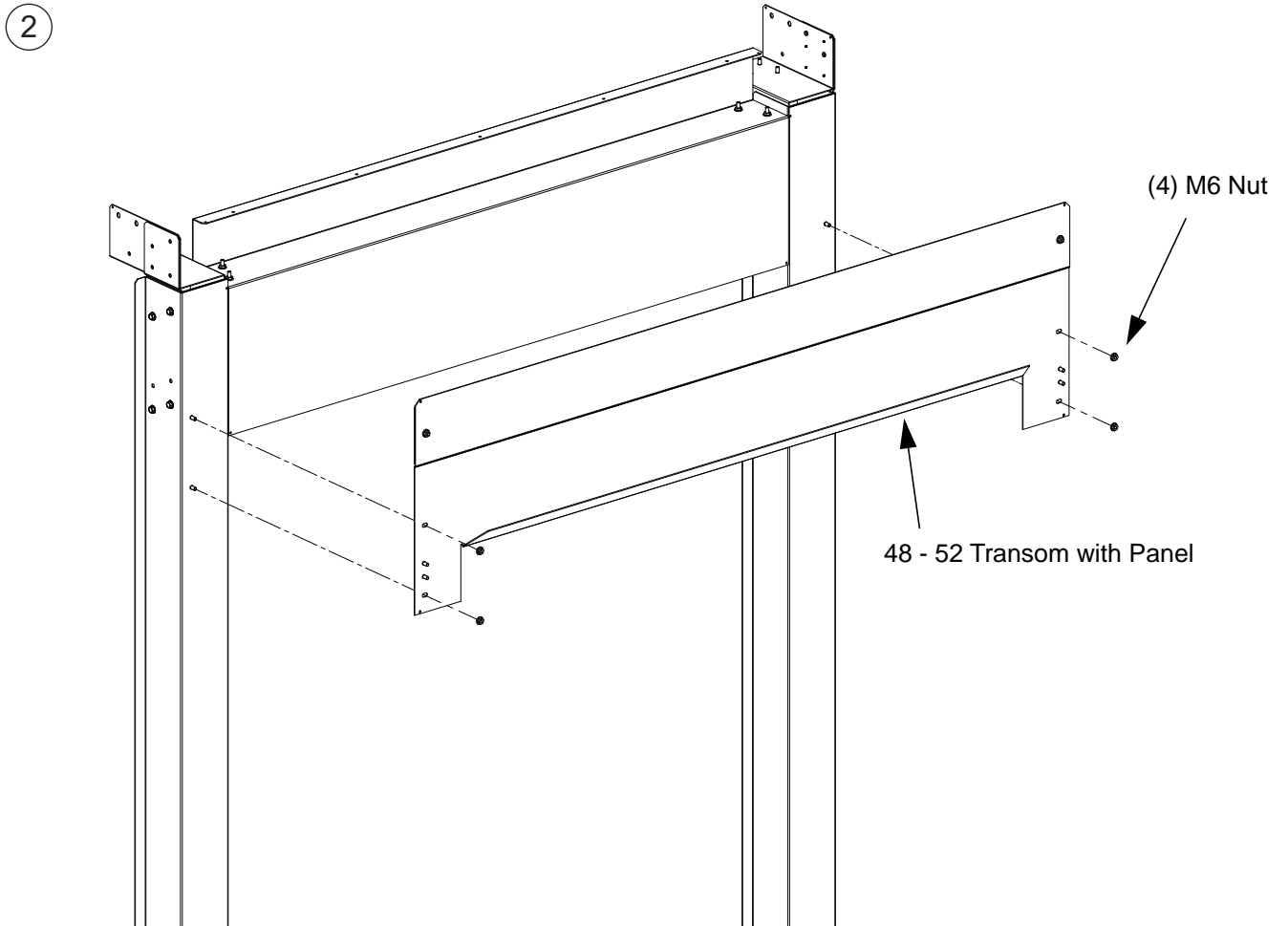
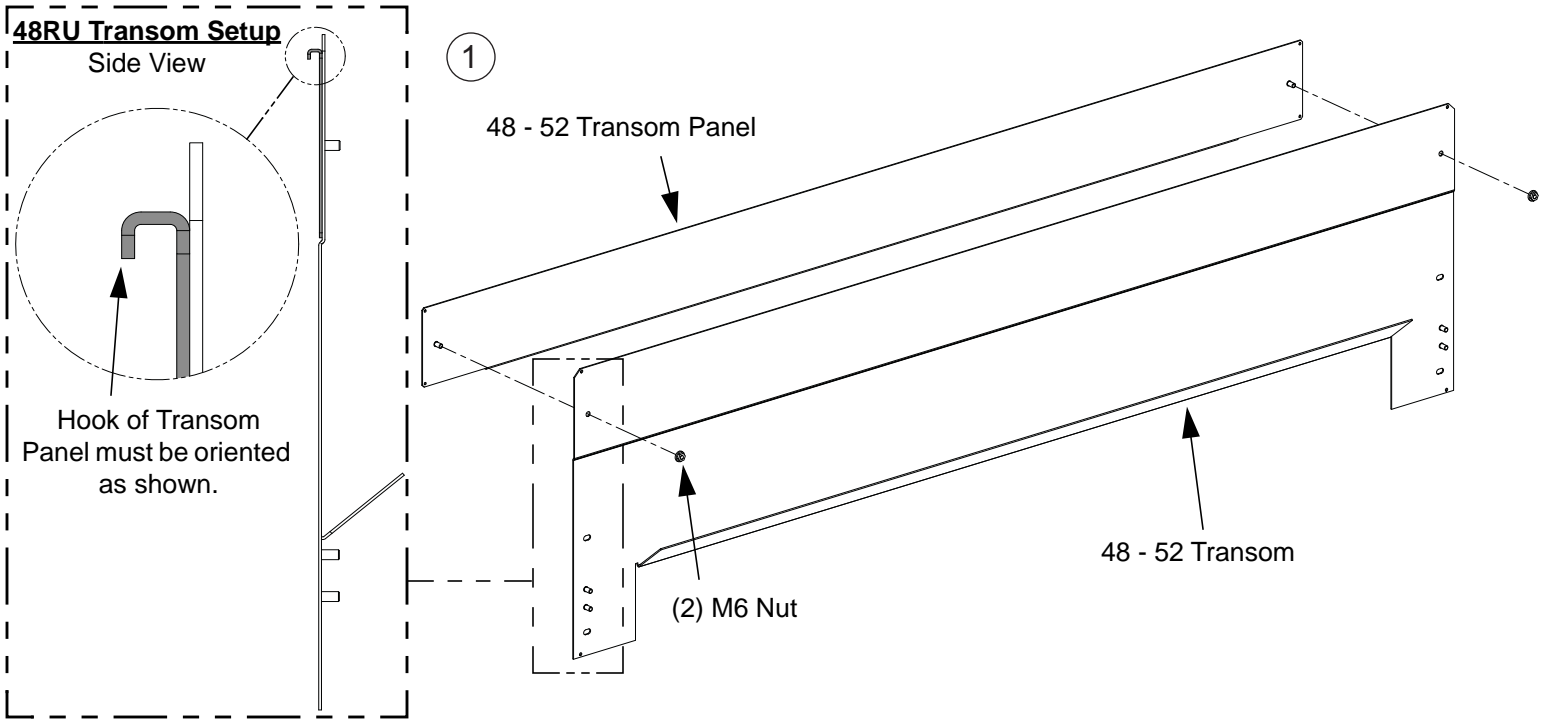
48RU



Attaching Transom with Panel and End of Row Beam (52RU Only)

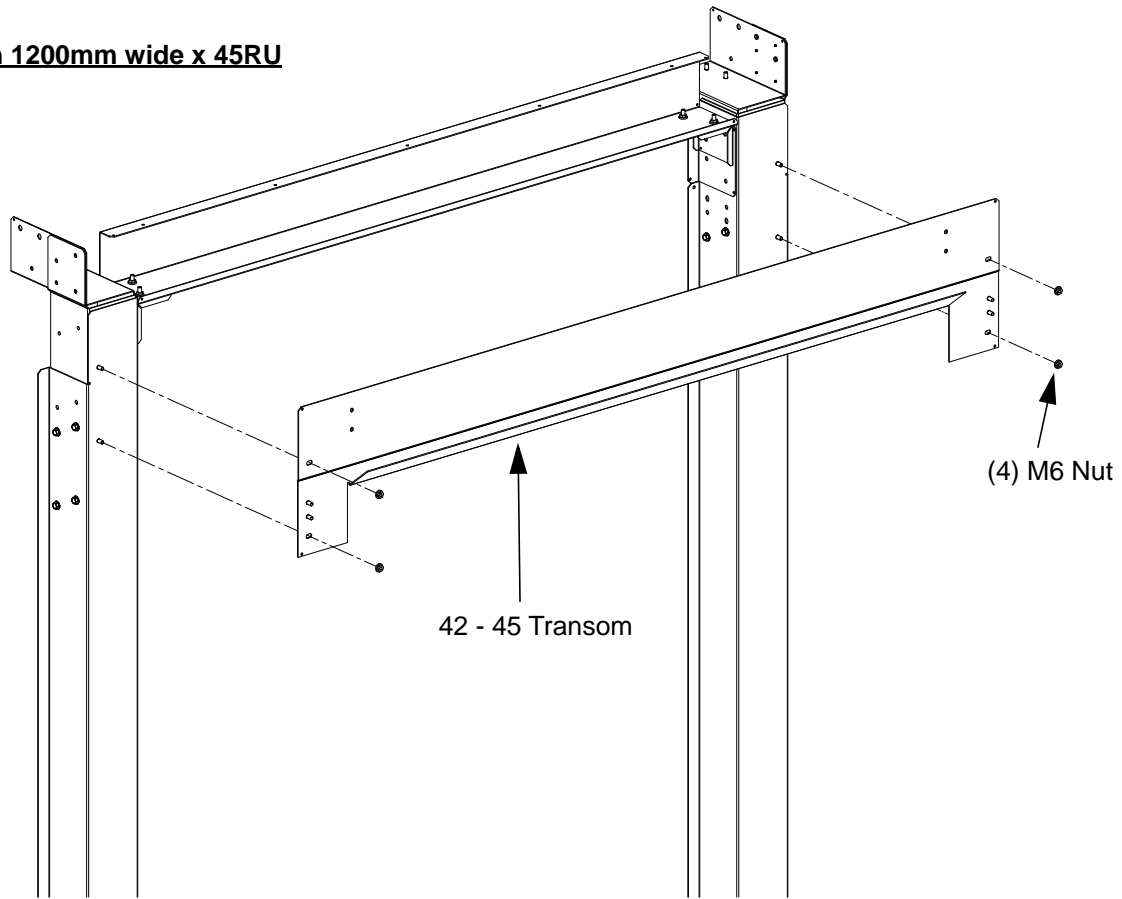


Attaching Transom with Panel (48RU Only)

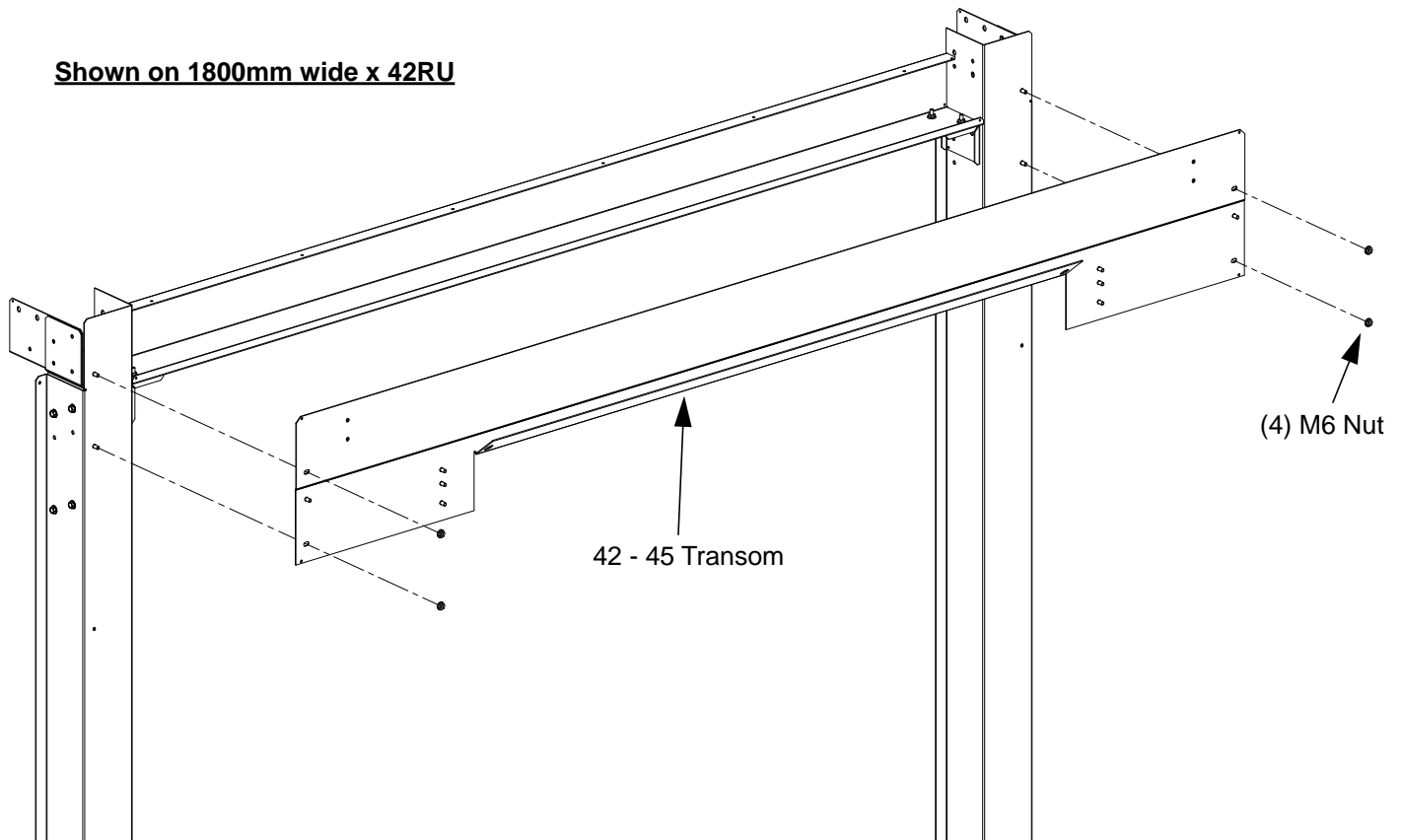


Attaching Transom (42RU - 45RU Only)

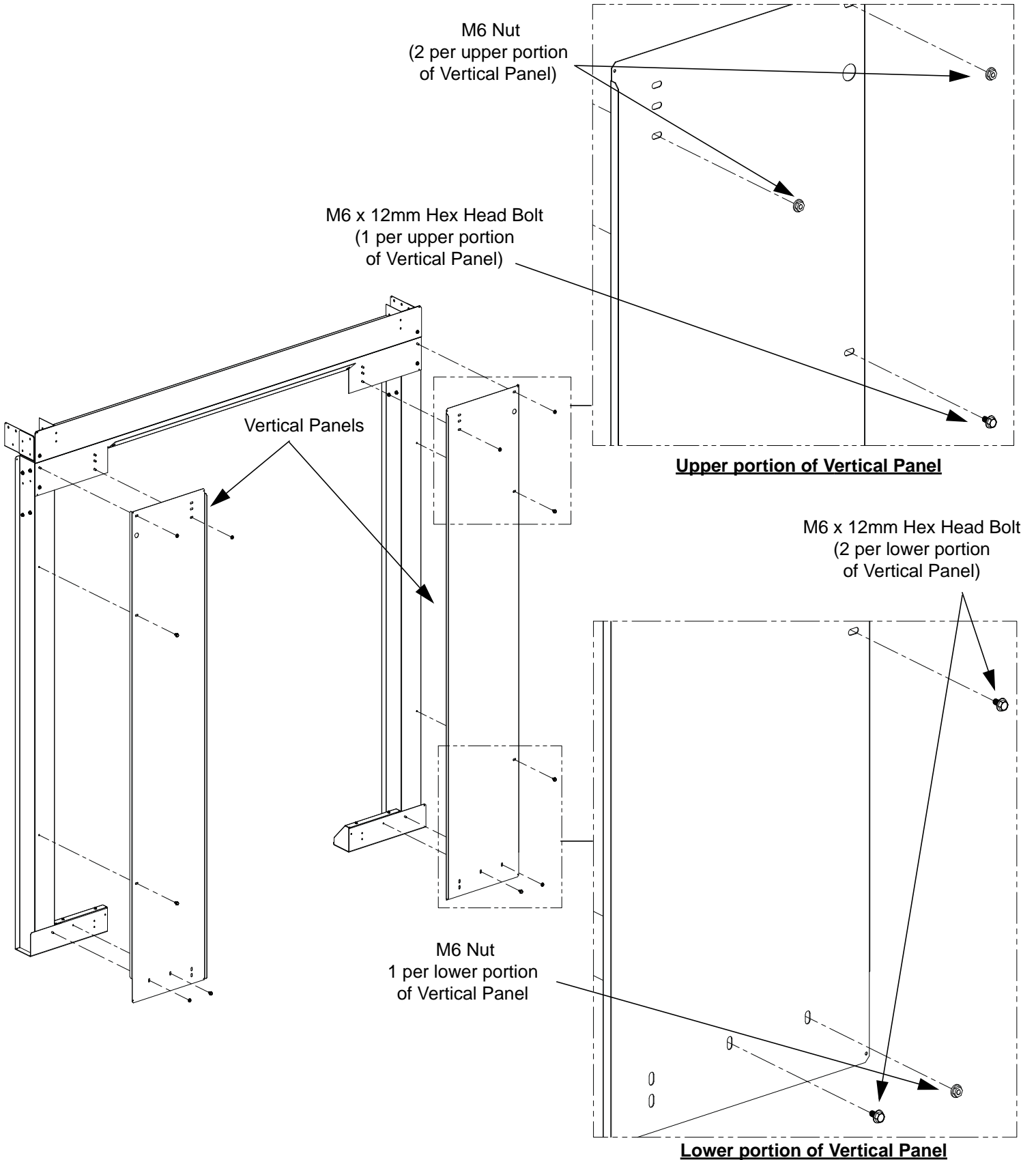
Shown on 1200mm wide x 45RU



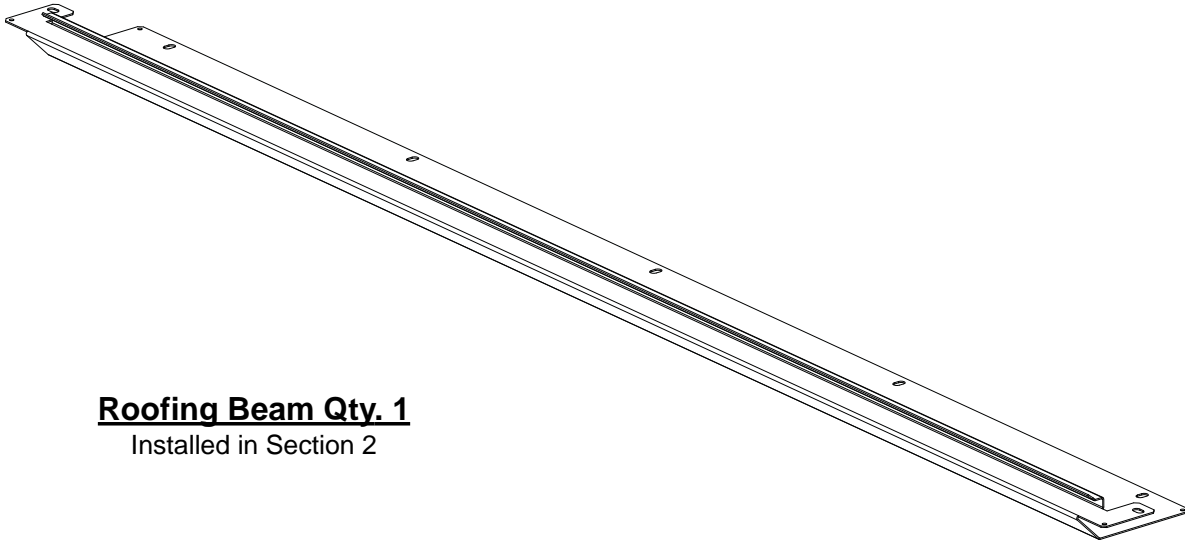
Shown on 1800mm wide x 42RU



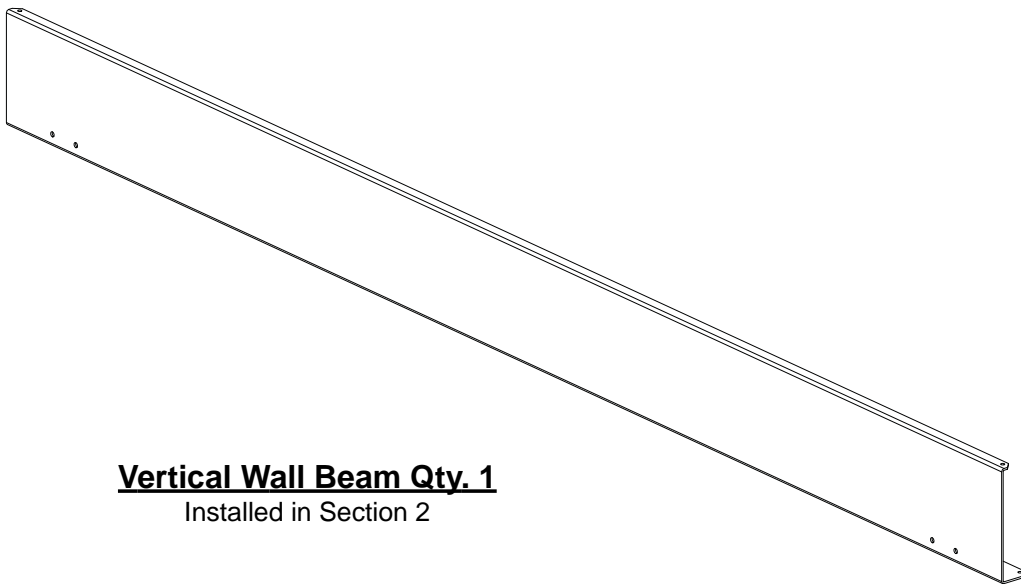
Attaching Vertical Panels (1800mm Wide Only)



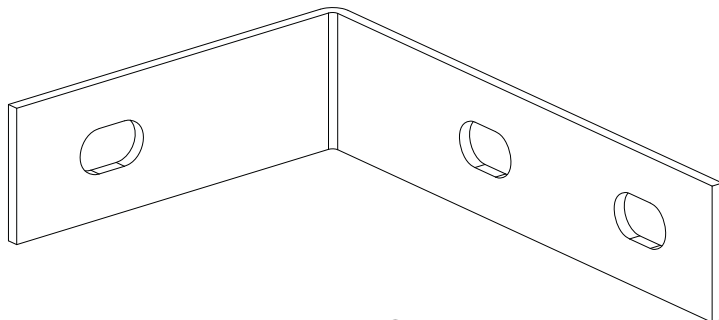
Components from End of Row Frame to be assembled in later steps



Roofing Beam Qty. 1
Installed in Section 2

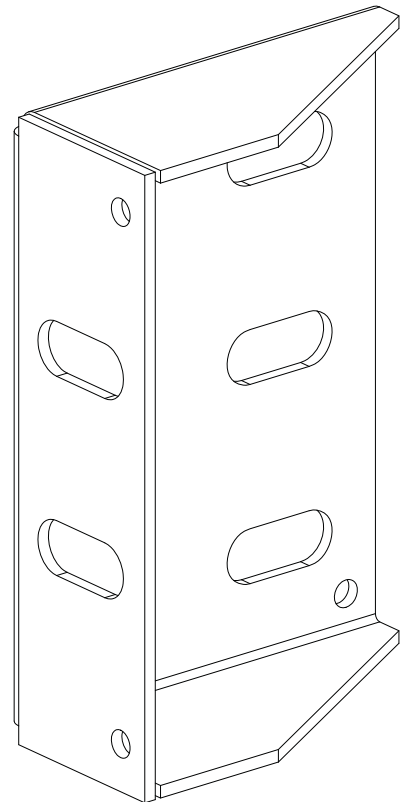


Vertical Wall Beam Qty. 1
Installed in Section 2



1200 Brackets Qty. 2
Installed in Section 2

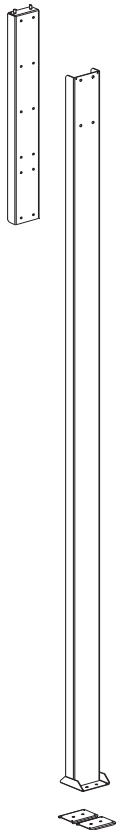
Door Brackets Qty. 4
Installed in Section 6



SECTION 2

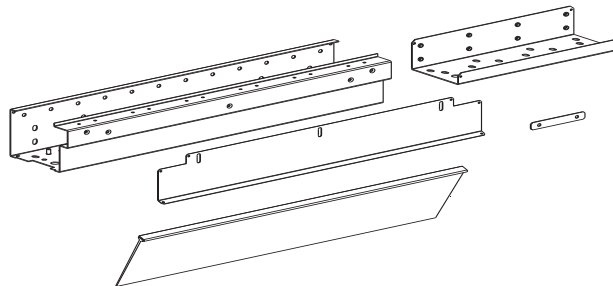
INSTALLATION OF WALL BEAM, MID-SPAN SUPPORT POST AND MID-SPAN CABINET SUPPORT

**Mid-Span Support Post
CUSMPR52ST01****

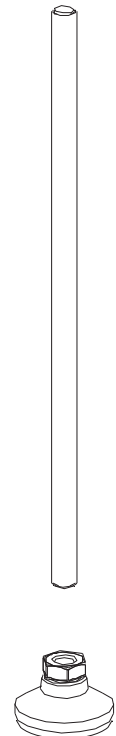


Wall Beam

CUWBSS06ST01 , CUWBPS06ST02**
CUWBSS07ST01** , CUWBPS07ST02**
CUWBSS08ST01** , CUWBPS08ST02**
CUWBSS24ST01** , CUWBPS24ST02****

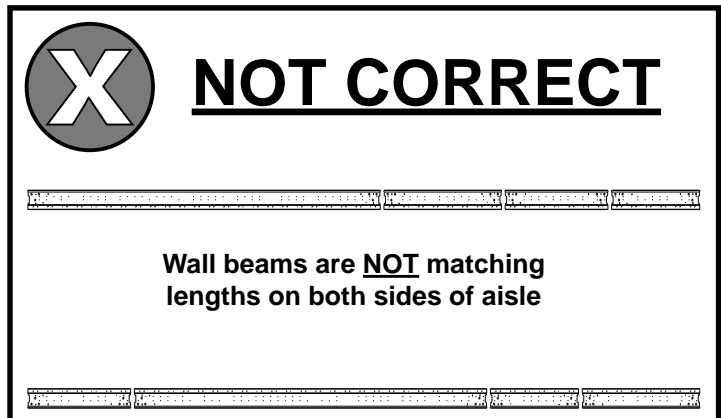
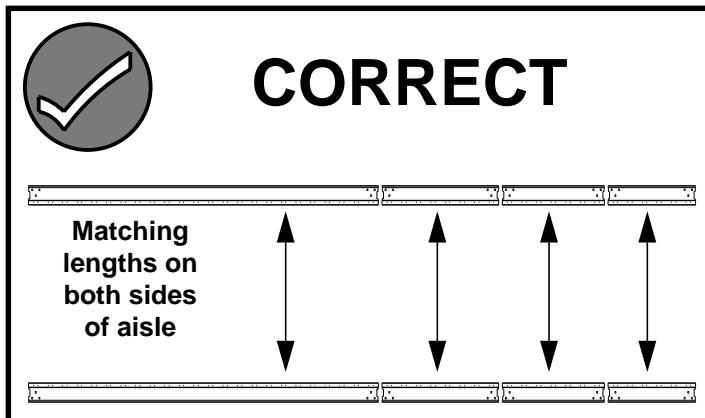
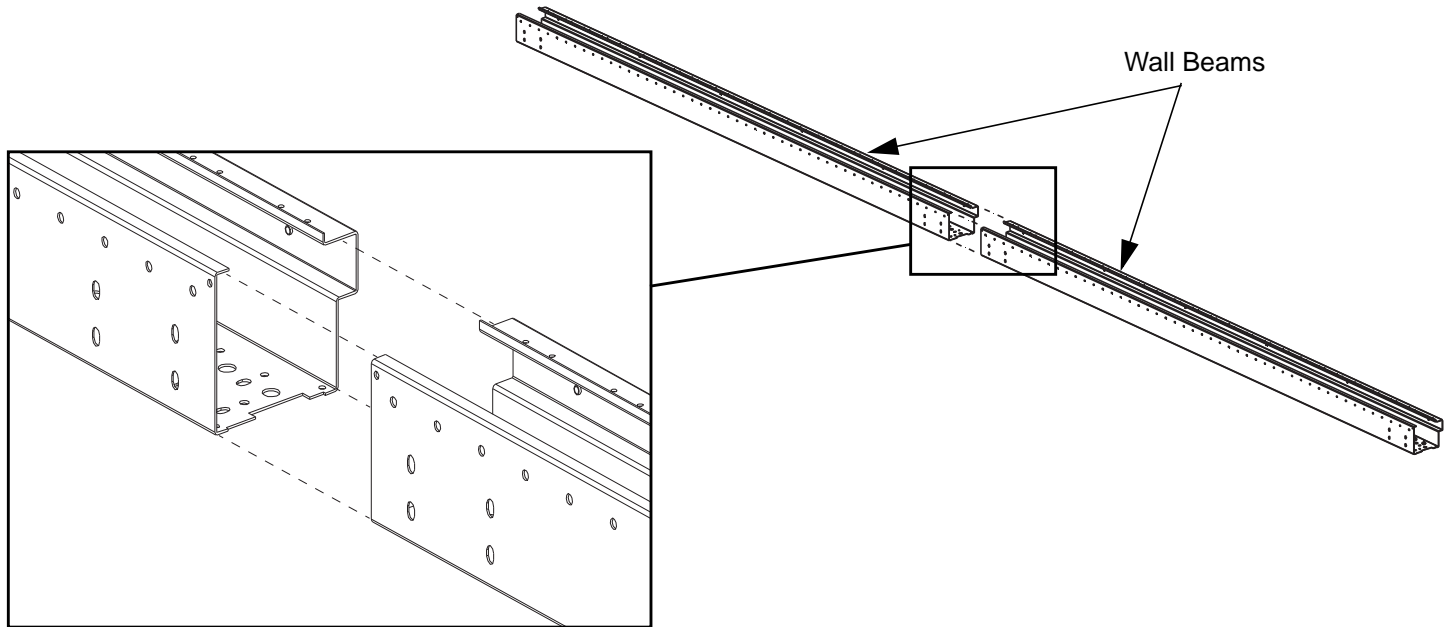


**Mid-Span Cabinet Support
CUCMSS03ST01NC**
CUCMSS06ST01NC****



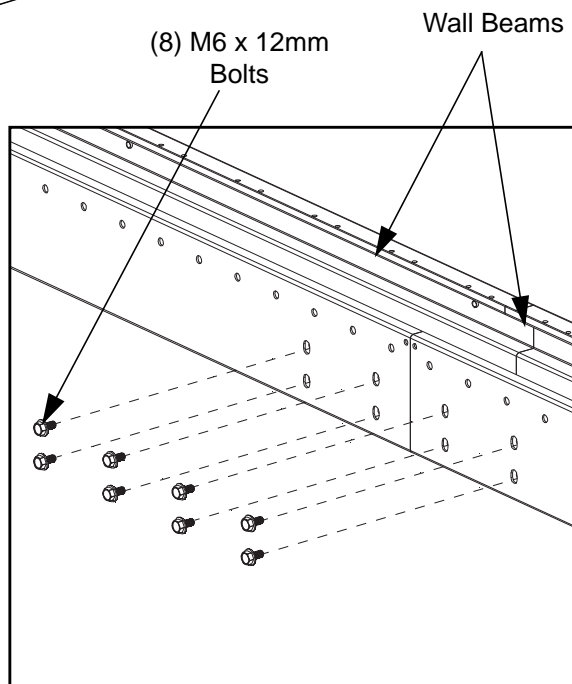
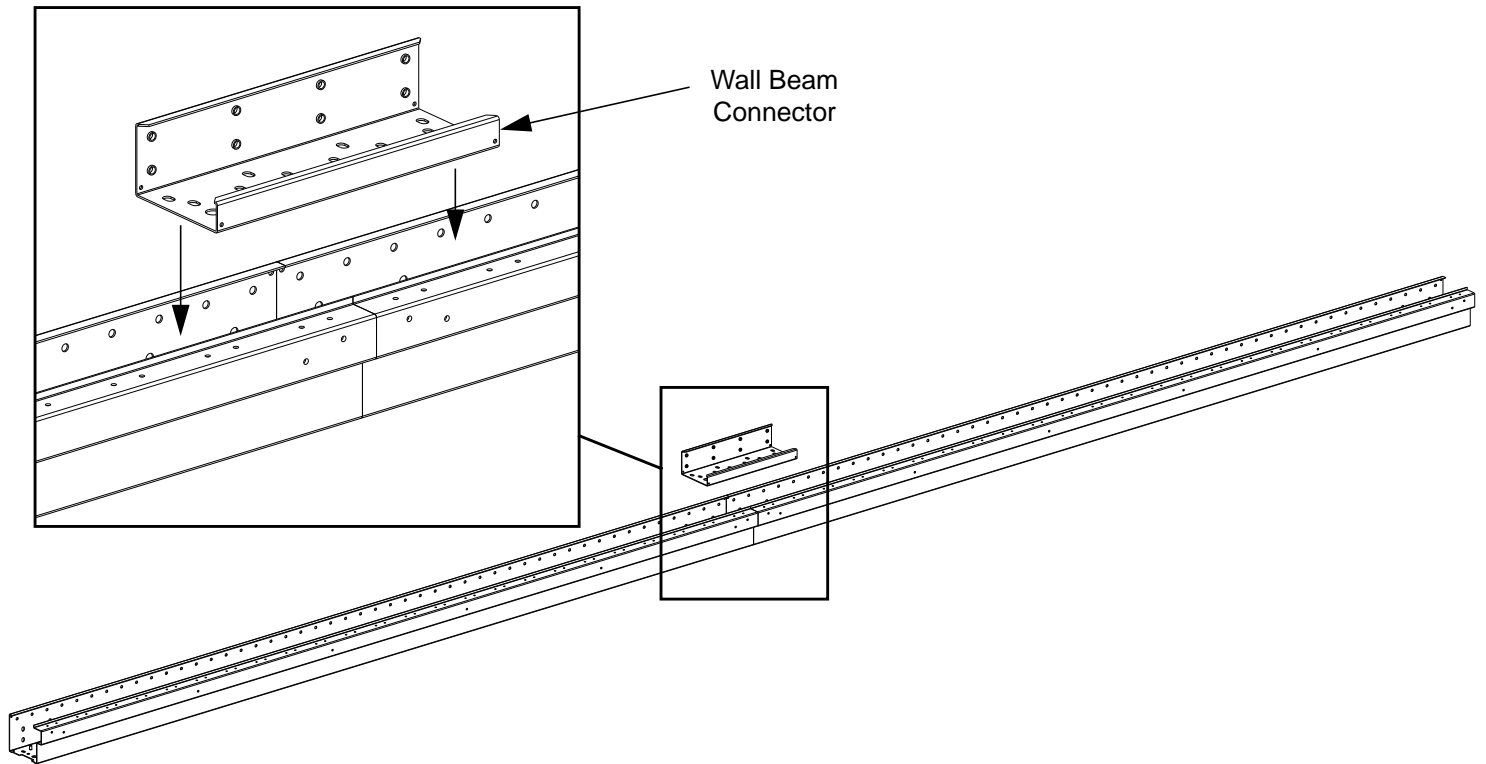
Aligning Wall Beams

- Place the required number of wall beams next to each other, end to end.
- Ensure that wall beams are matching lengths on both sides of the aisle.
- i.e. 600mm wall beam across from 600mm beam; 2400mm wall beam across from 2400mm beam, etc.

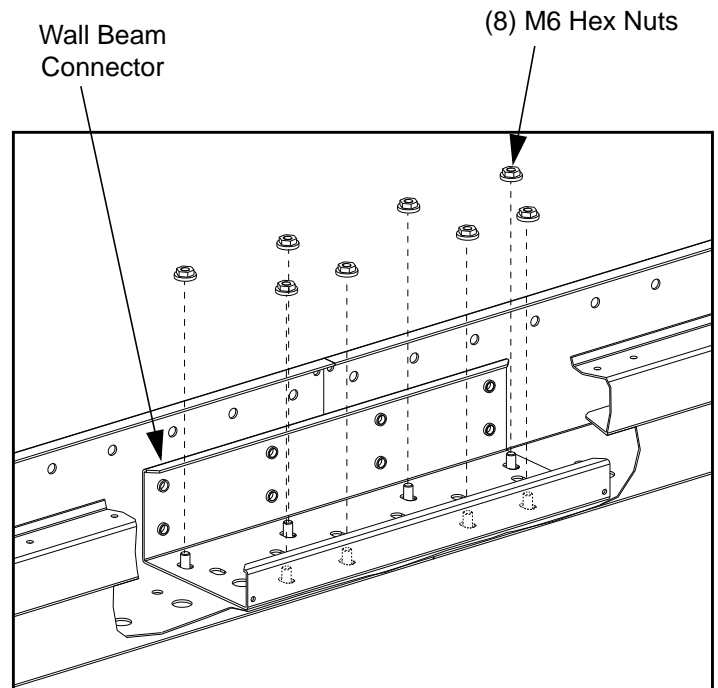


Attaching Wall Beam Connector

- Place the wall beam connector in between (2) wall beams so that the (8) studs pass through the wall beam connector.
- Fasten the wall beam connector to the (2) wall beams with (8) M6x12mm bolts.
- Secure the wall beam connector in place with (8) M6 hex nuts.



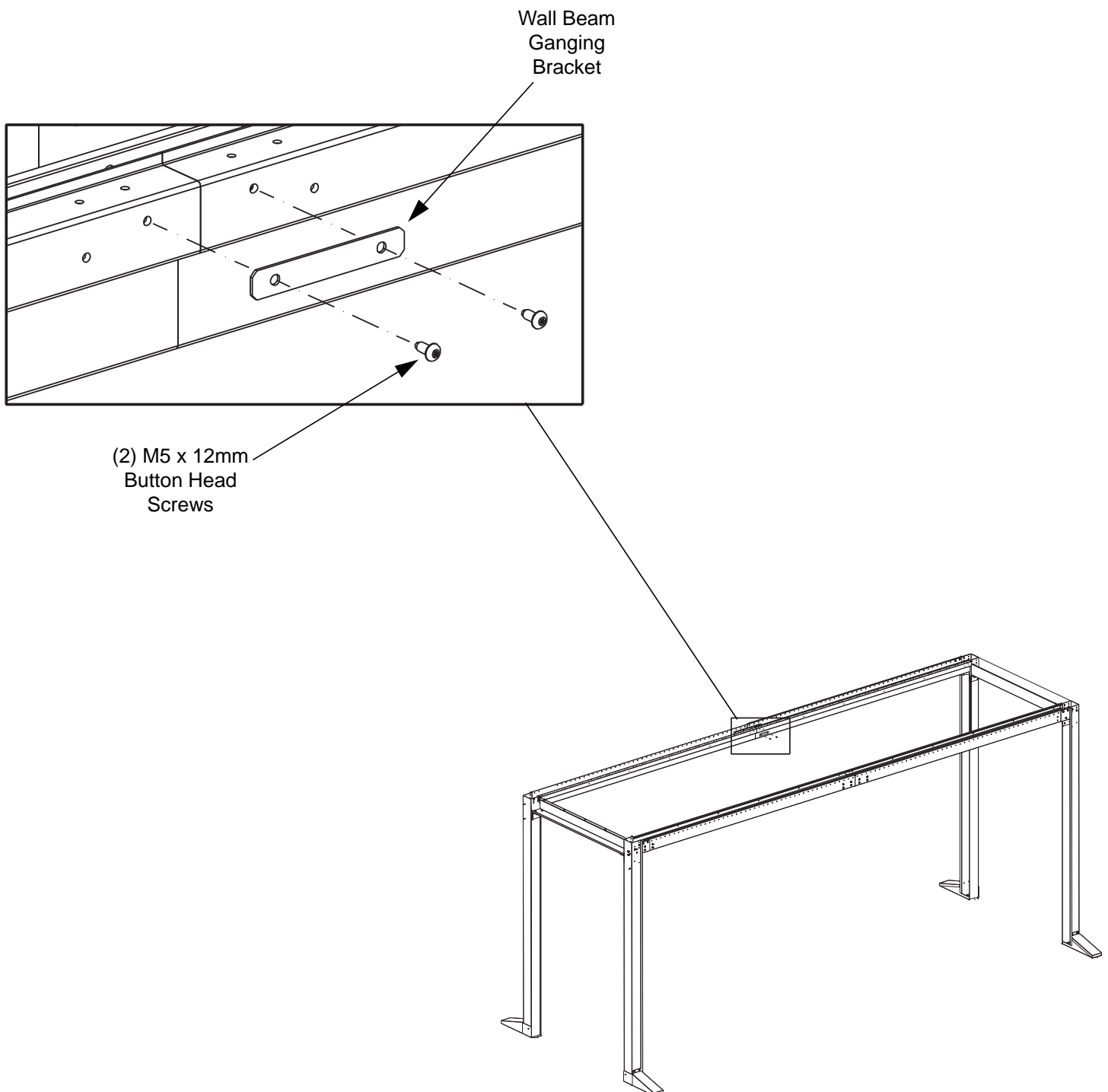
**VIEW SHOWS BACK
OF WALL BEAMS**



**PORTIONS OF WALL BEAMS HAVE
BEEN CUT AWAY TO ENHANCE VIEW**

Attaching Wall Beam Ganging Bracket

- Attach (1) wall beam ganging bracket in between every pair of wall beams with (2) M5x12mm button head screws.

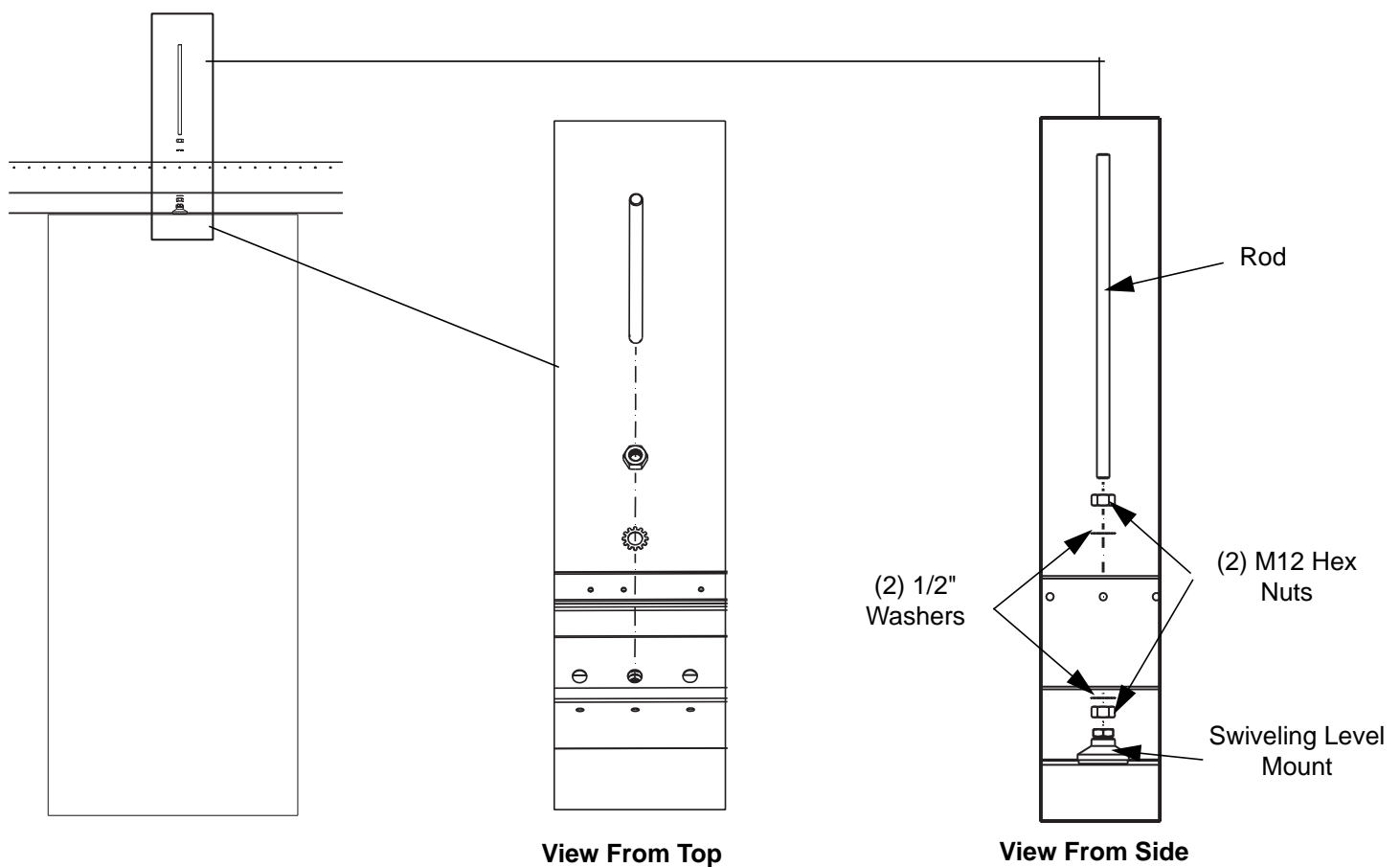


Mid-Span Support for Wall Beams

- Panduit recommends a mid-span support every 3,600mm (11.8'). The maximum distance without a mid-span support is 4,800mm (16').
- Wall beams can be supported using any of the following:
 - Mid-span cabinet support
 - Threaded rod suspended from the ceiling
 - Mid-span support post

Supporting Wall Beams using Mid-Span Cabinet Support

- Thread the mid-span cabinet support rod through a M12 hex nut, a 1/2" washer, the wall beam, then through another 1/2" washer, M12 hex nut and finally into the swiveling level mount.

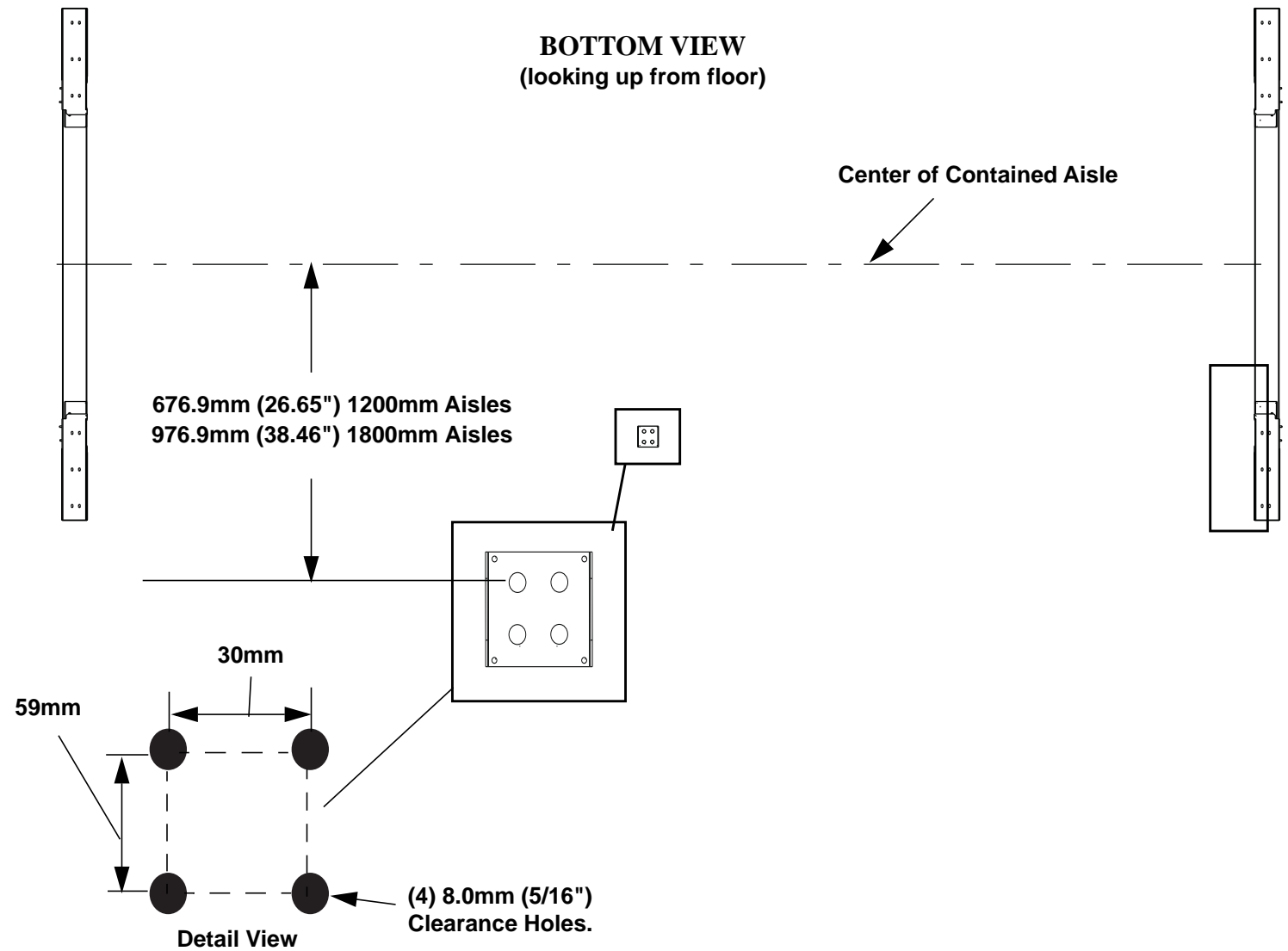


Supporting Wall Beams using Threaded Rod

- Wall beams can be supported using threaded rod suspended from the ceiling. Threaded rod can be attached using the same holes as the Mid-Span cabinet support shown above.

Locating Mid-Span Support Post

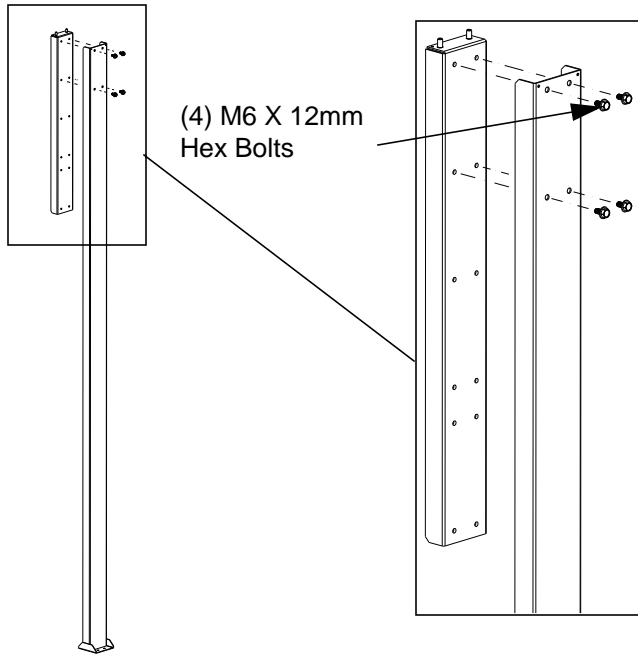
- See detail view shown below for dimensions for drilling pilot holes for Mid-Span support posts.



NOTE: Views are not shown to scale to help illustrate dimensional requirements

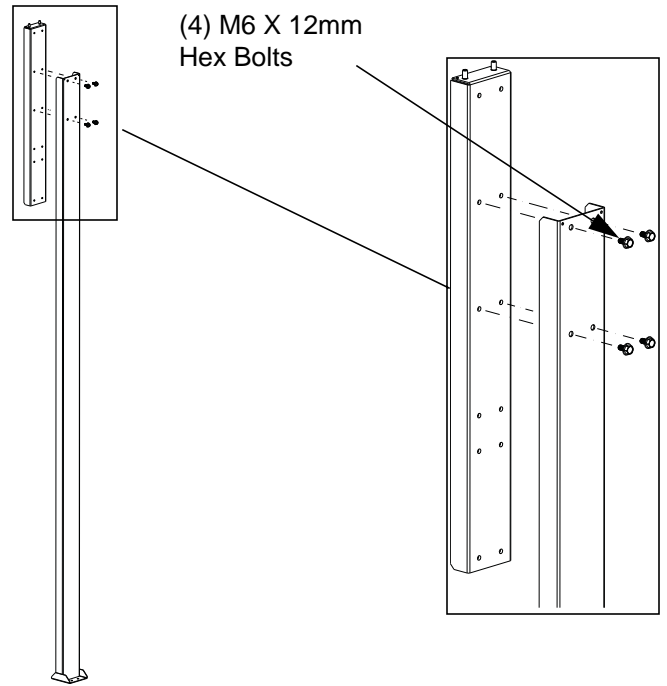
Attaching Support Bracket to Support Post

- Attach support bracket to support post using (4) M6 X 12mm Hex Bolts.
- See chart below for orientation of holes for 42RU, 45RU, 48RU, and 52RU setups.
- Repeat process for every support post required.



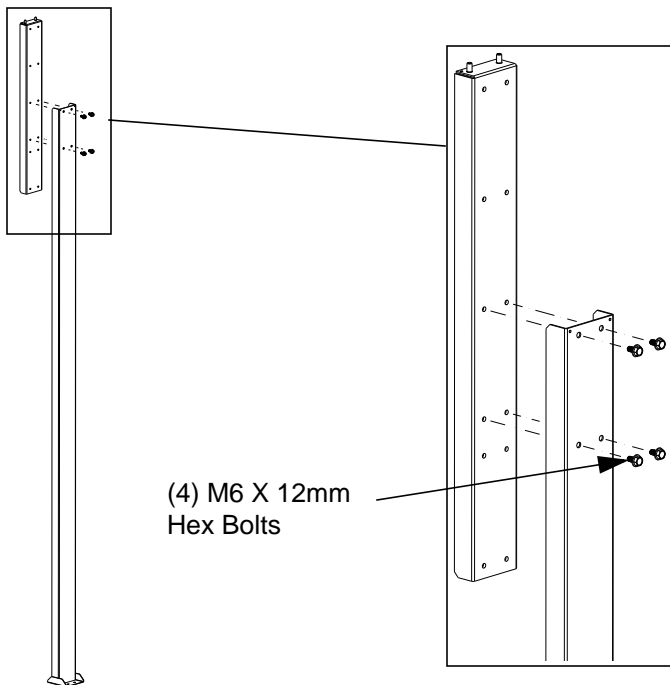
(4) M6 X 12mm
Hex Bolts

42RU Setup



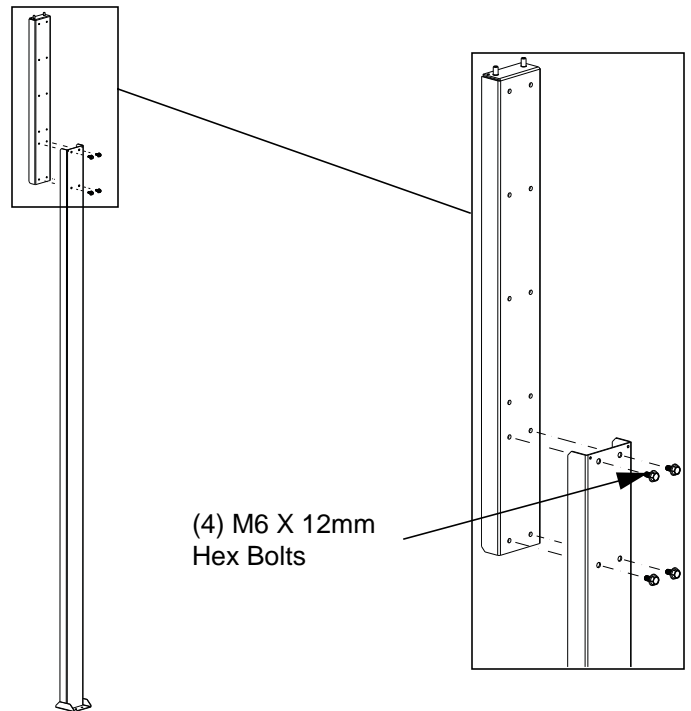
(4) M6 X 12mm
Hex Bolts

45RU Setup



(4) M6 X 12mm
Hex Bolts

48RU Setup

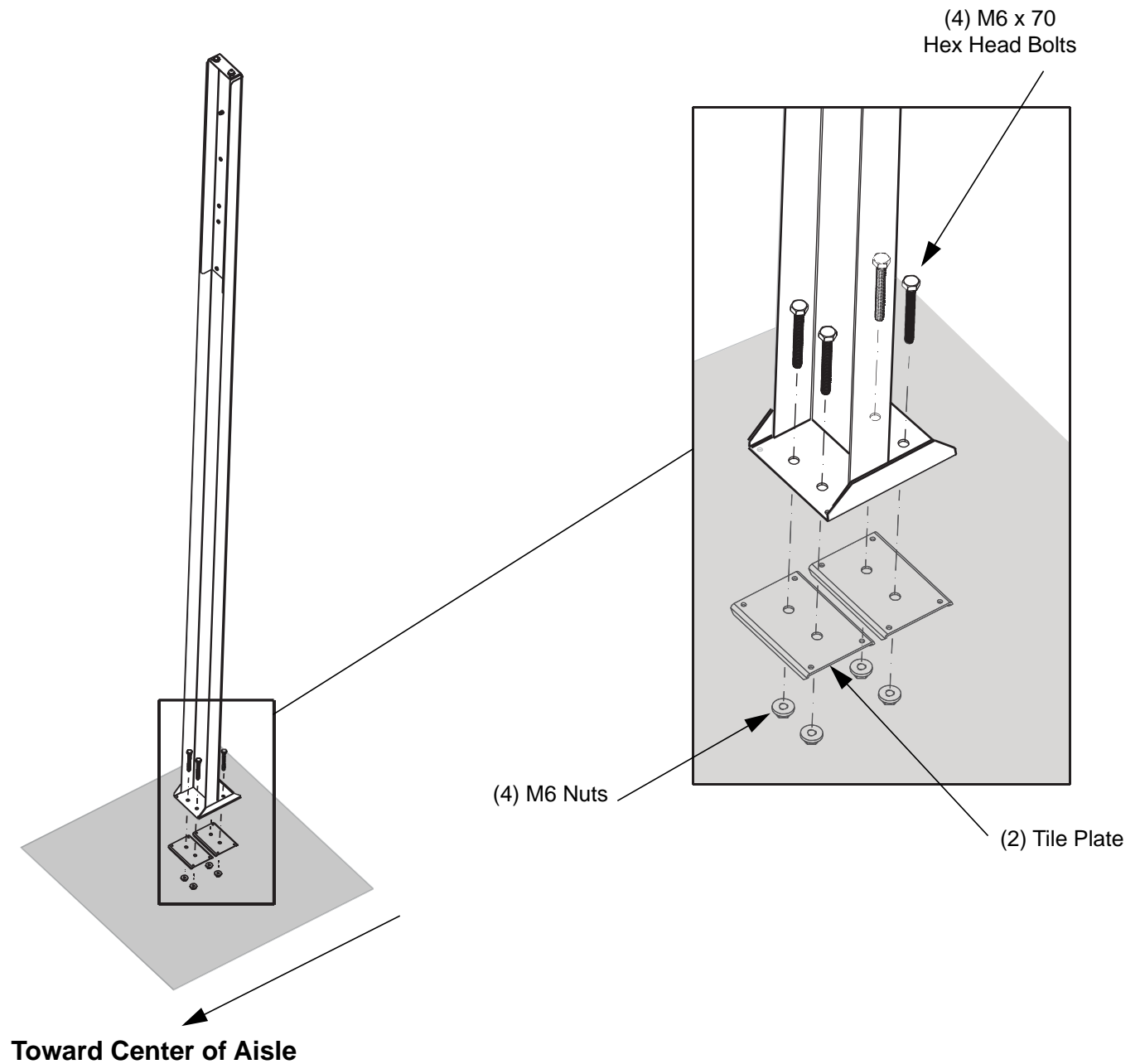


(4) M6 X 12mm
Hex Bolts

52RU Setup

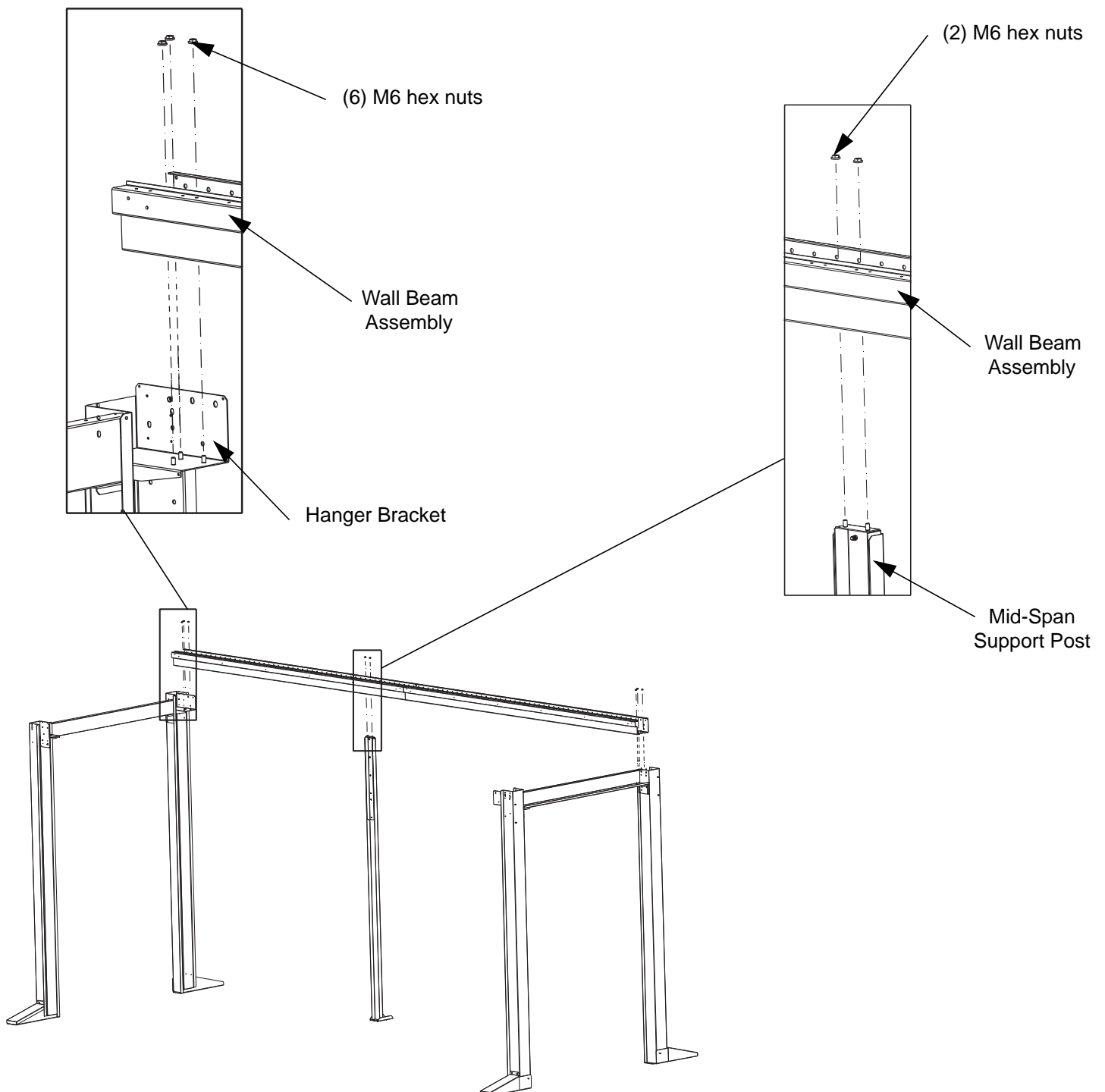
Attaching Support Post to Floor

- From the floor, remove a tile that is directly next to the tile that you will be attaching the support post to.
- Have (1) person hold the support post in place aligning the holes in the foot with the pilot holes in the tile.
- Have another person insert (4) M6x70 hex head bolts through the foot of the support post.
- From underneath the tile slide (2) tile plates over the (4) M6x70 hex head bolts and secure into place with (6) M6 nuts.
- Repeat process for every support post required.



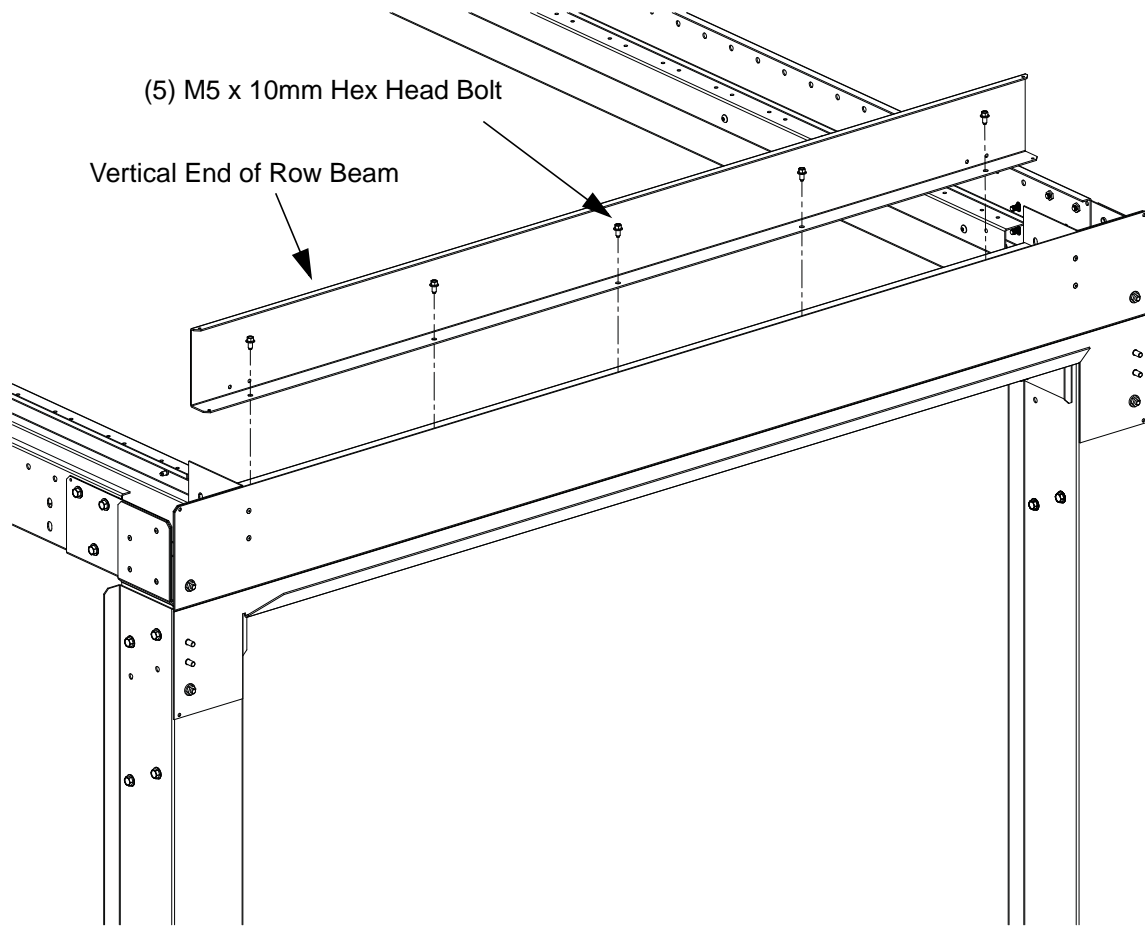
Attaching Wall Beam Assembly to End of Row Frames (A Minimum of 2 People are Required for this Step.)

- Lift (1) wall beam assembly above the end of row frames.
- Lower the wall beam assembly onto the hanger bracket.
- Secure wall beam assembly in to each hanger bracket with a total of (6) M6 hex nuts.
- If required fasten wall beam assembly to mid-span support post with (2) M6 hex nuts.

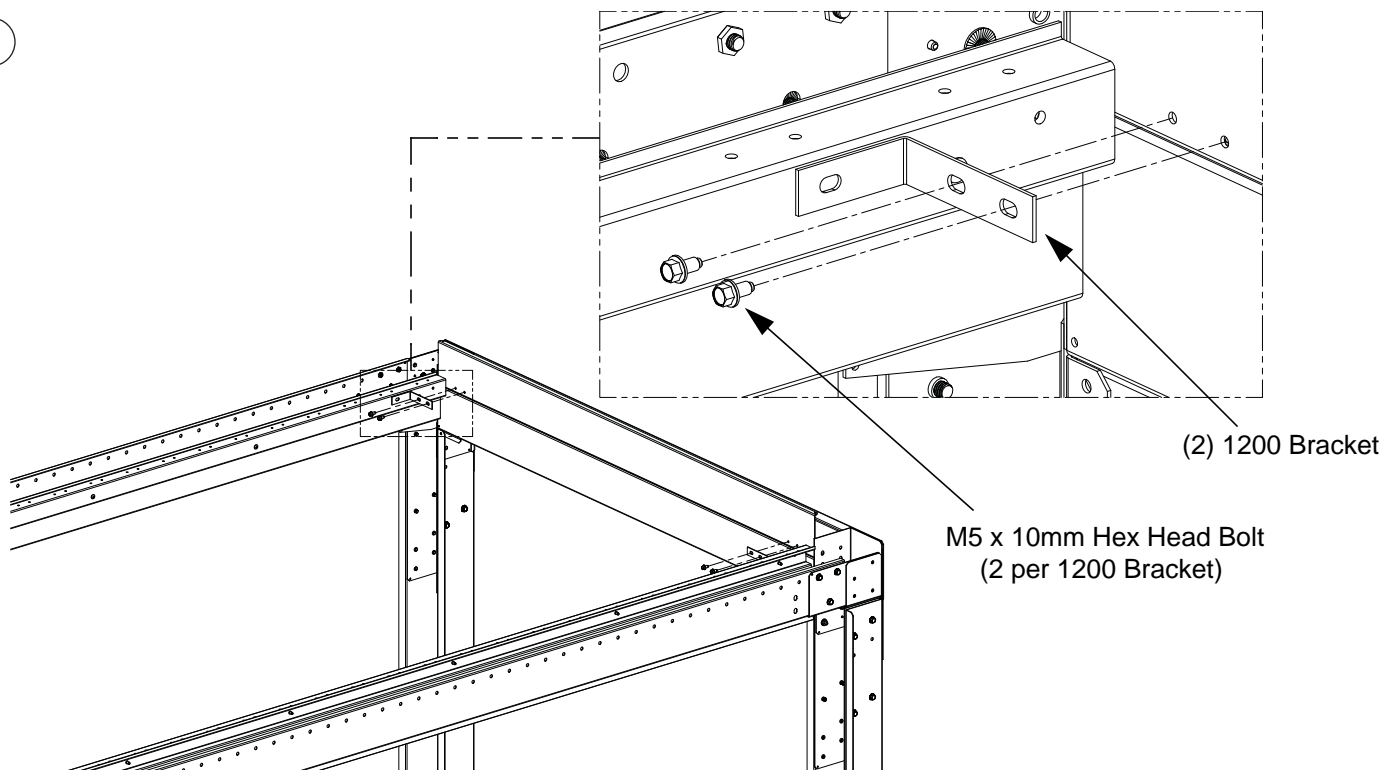


Attaching Vertical Wall End of Row Beam with 1200 Brackets and Foam Seal (For Vertical Wall Set-up - 1200mm wide Only. Included with End of Row Beam)

1

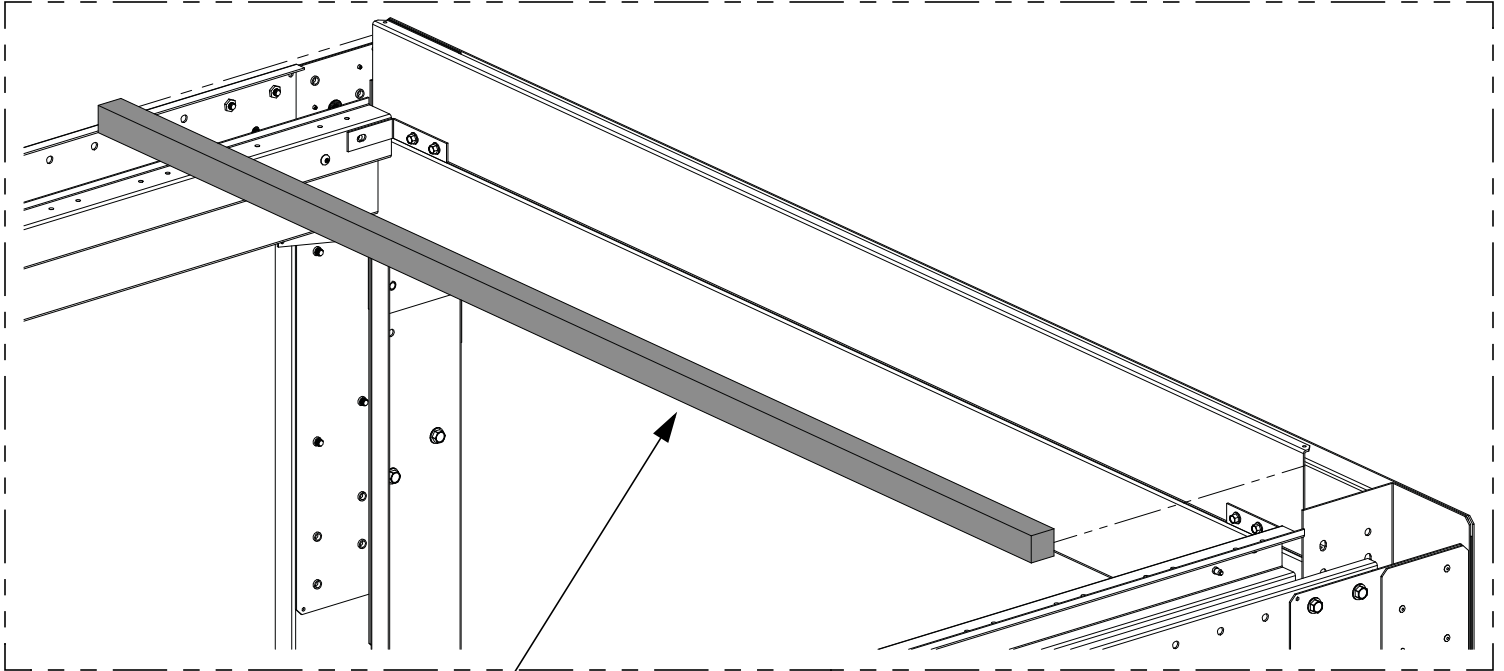


2

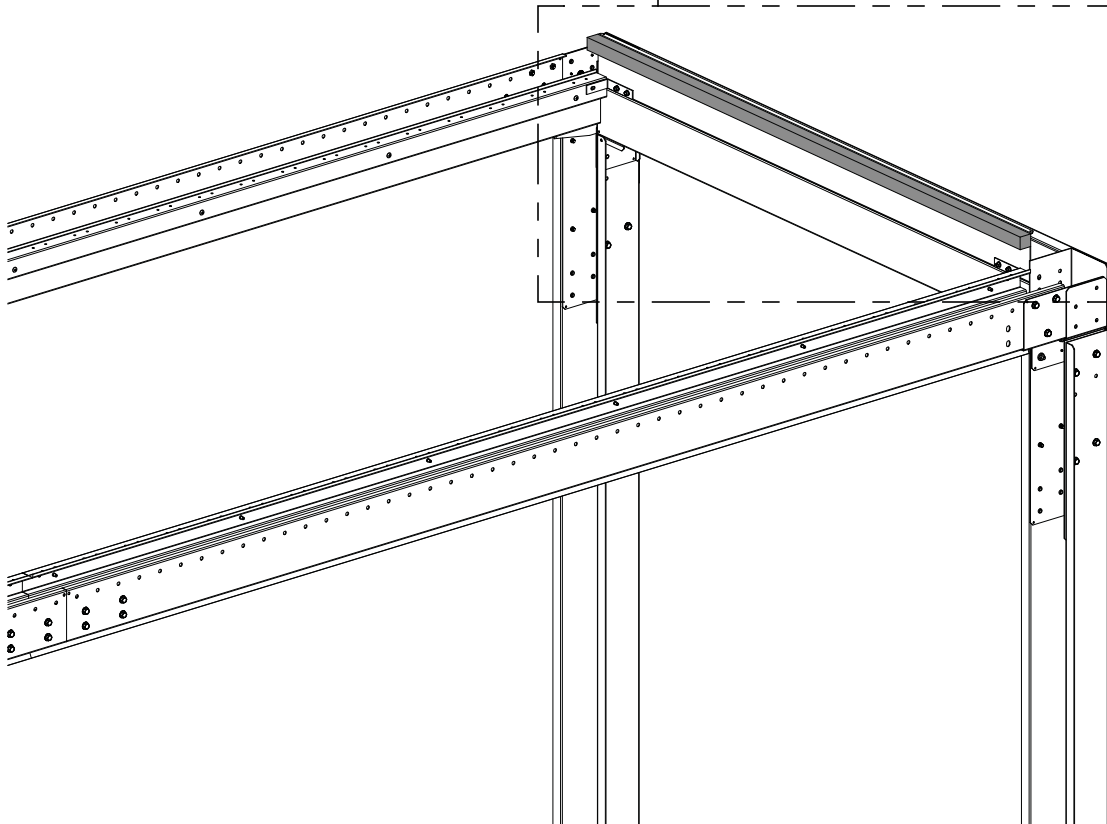


For Technical Support: www.panduit.com/resources/install_maintain.asp

3

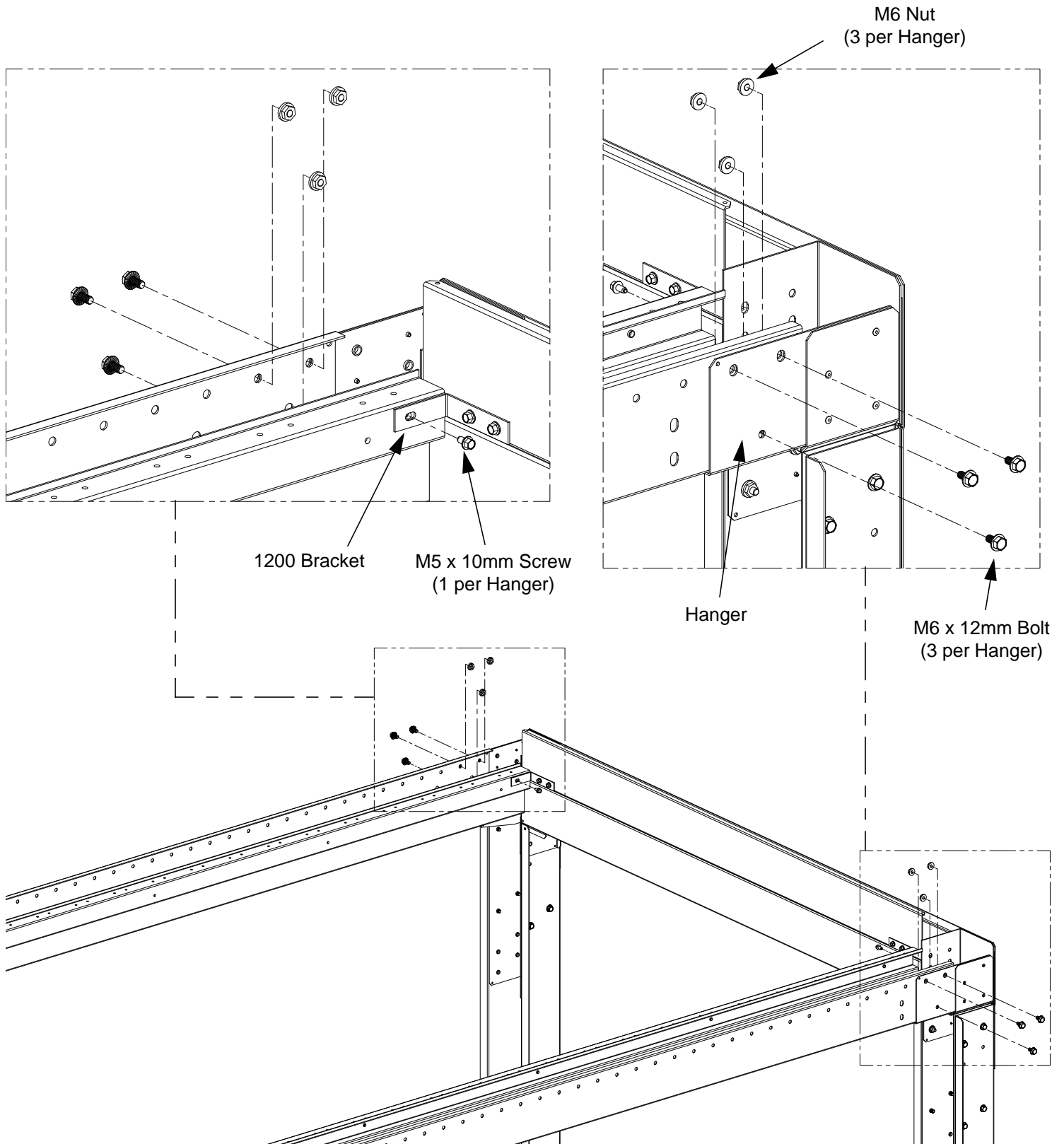


1" x 1" Foam Seal
Attach along entire length and at the
top of Vertical Wall End Beam



Securing Wall Beam (For 1200mm Vertical Wall Containment Set-Up Only)

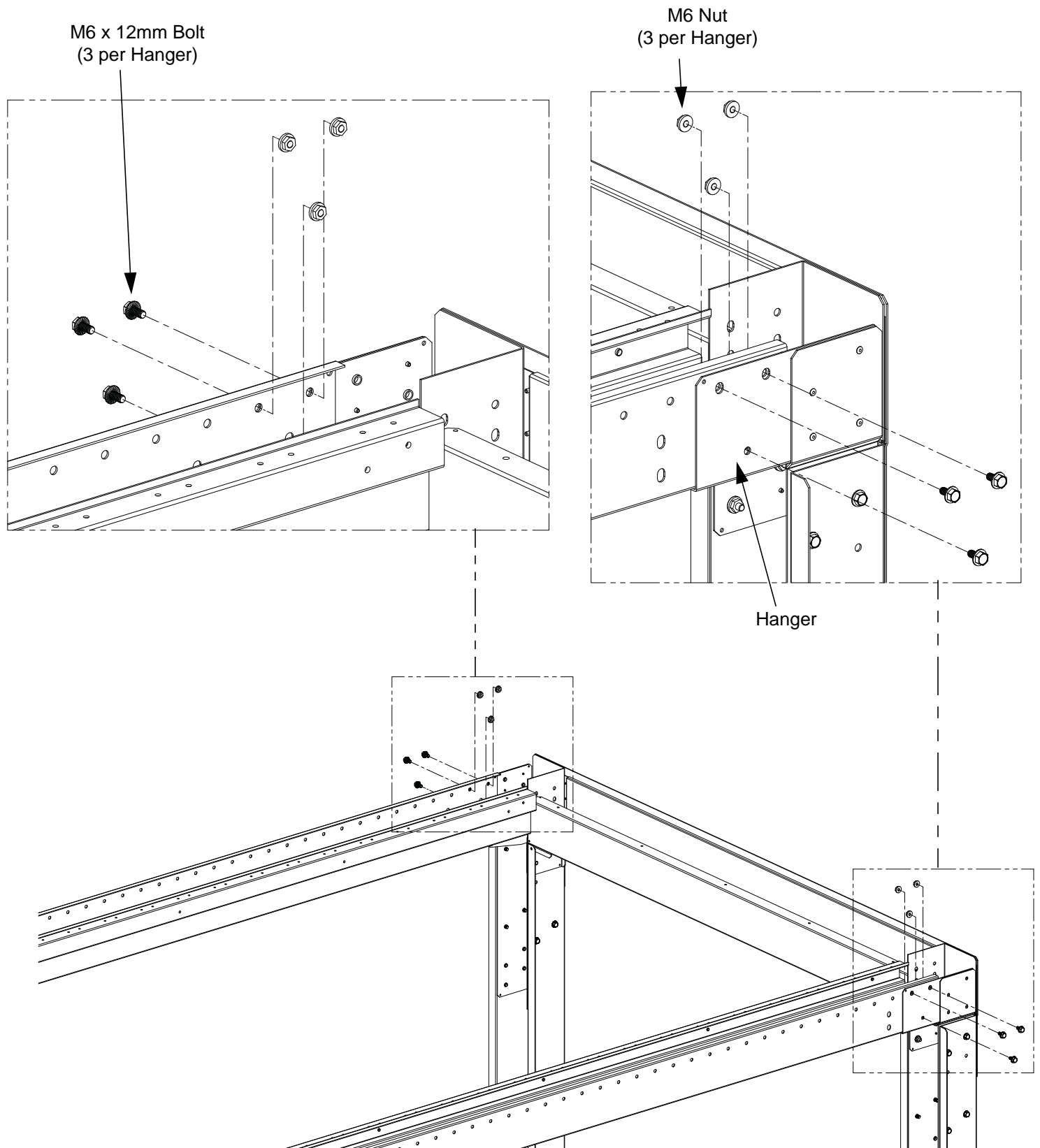
- Fasten (1) M5 x 10mm screw through the wall beam bracket into the wall beam from the inside of the aisle.
- Fasten (3) M6 x 12mm bolts and (3) M6 nuts to the hanger and wall beam.
- Repeat process for every hanger.



For Technical Support: www.panduit.com/resources/install_maintain.asp

Securing Wall Beam (For 1200/1800mm Roofing Containment Set-Up Only)

- Fasten (3) M6 x 12mm bolts and (3) M6 nuts to the hanger and wall beam.
- Repeat process for every hanger.



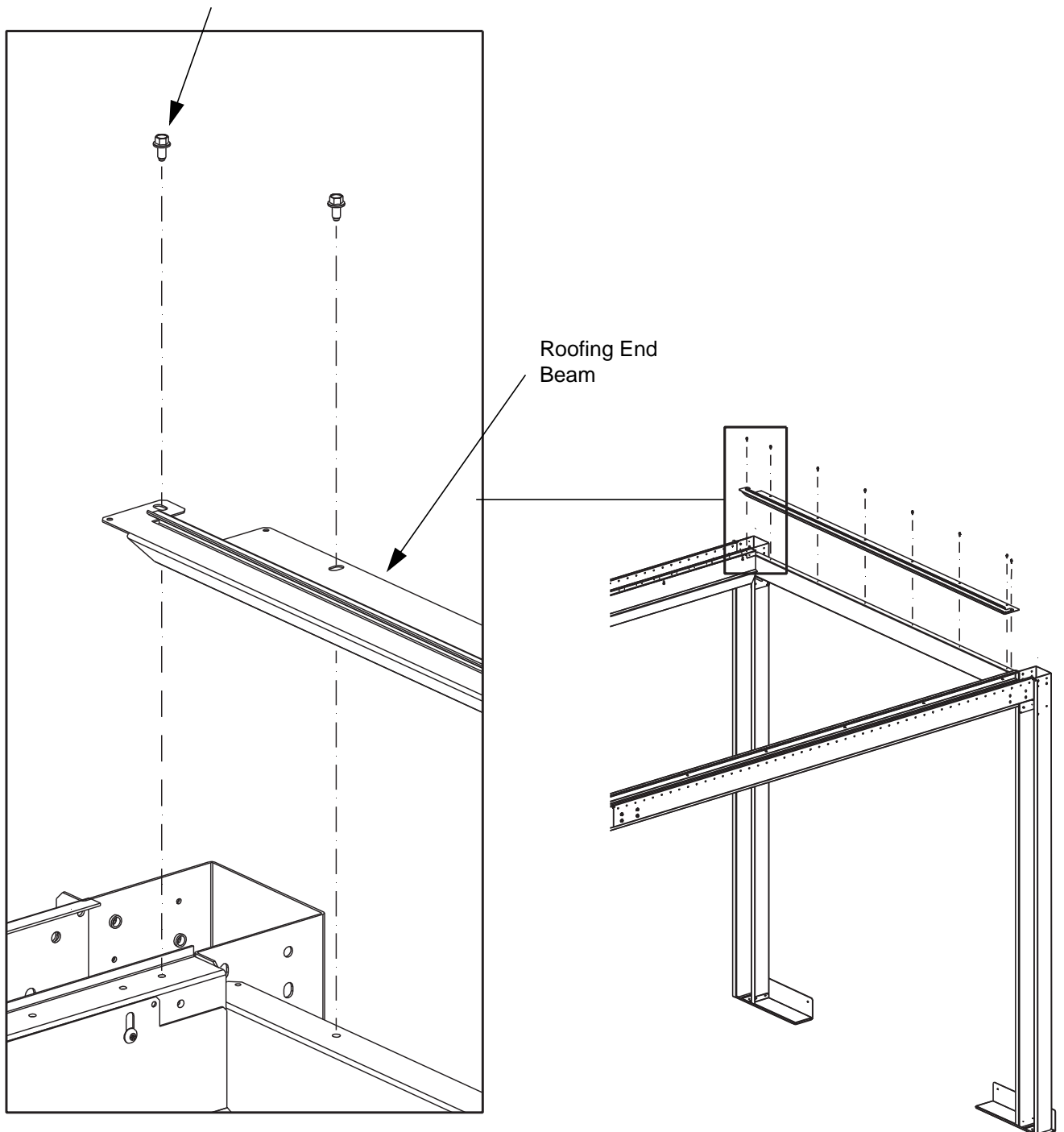
For Technical Support: www.panduit.com/resources/install_maintain.asp

Attaching Roofing Beam (Included with the End of Row Frame) (For Roofing Containment Set-Up Only)

- Attach the roofing beam to the end of row beam with M5x10mm screws.
- Secure the roofing beam to each wall beam with (2) M5x10mm screws.
- Repeat process for opposite side of POD.

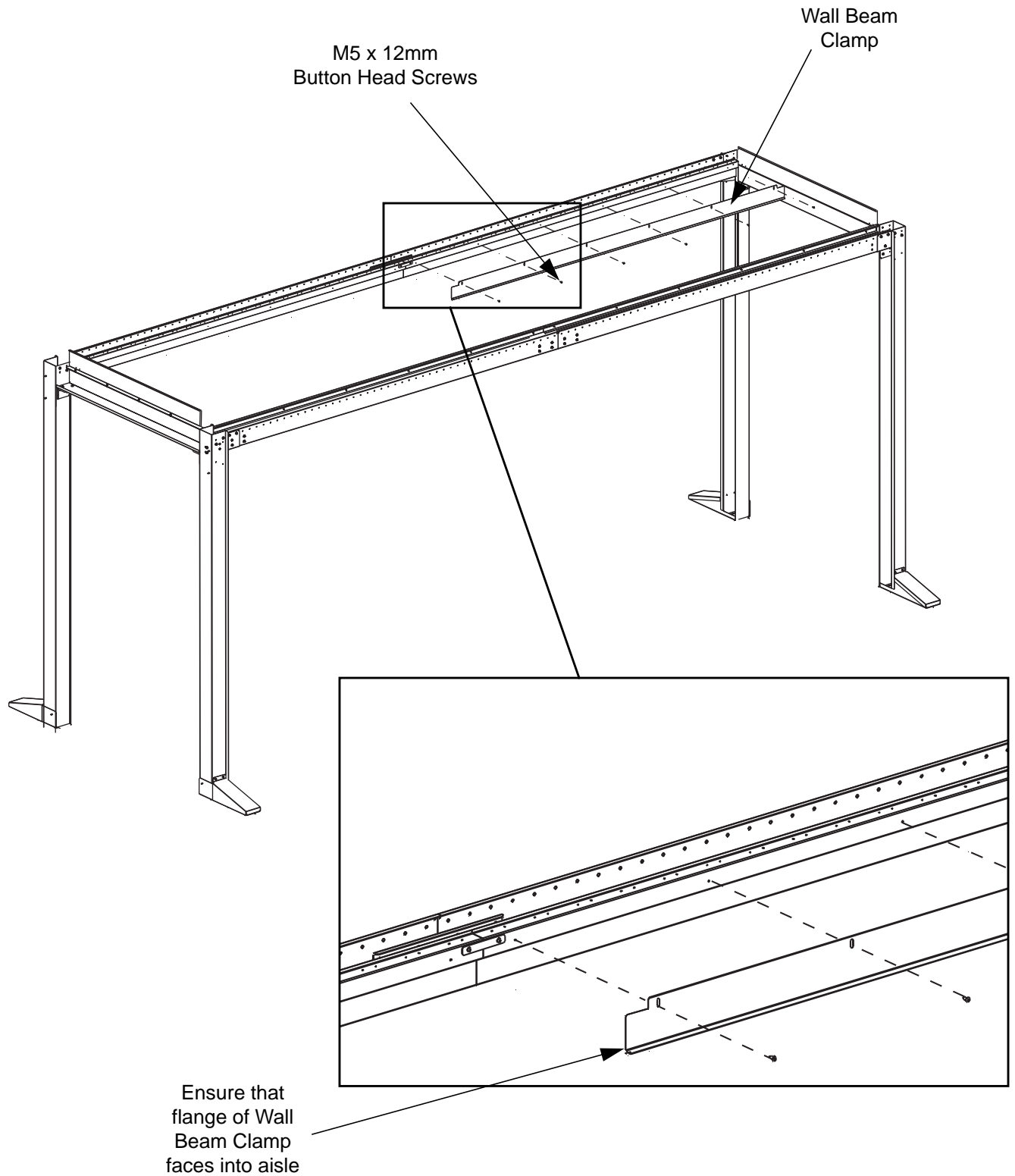
(7) M5x10mm Hex Head Screws (1200mm aisle)

(8) M5x10mm Hex Head Screws (1800mm aisle)



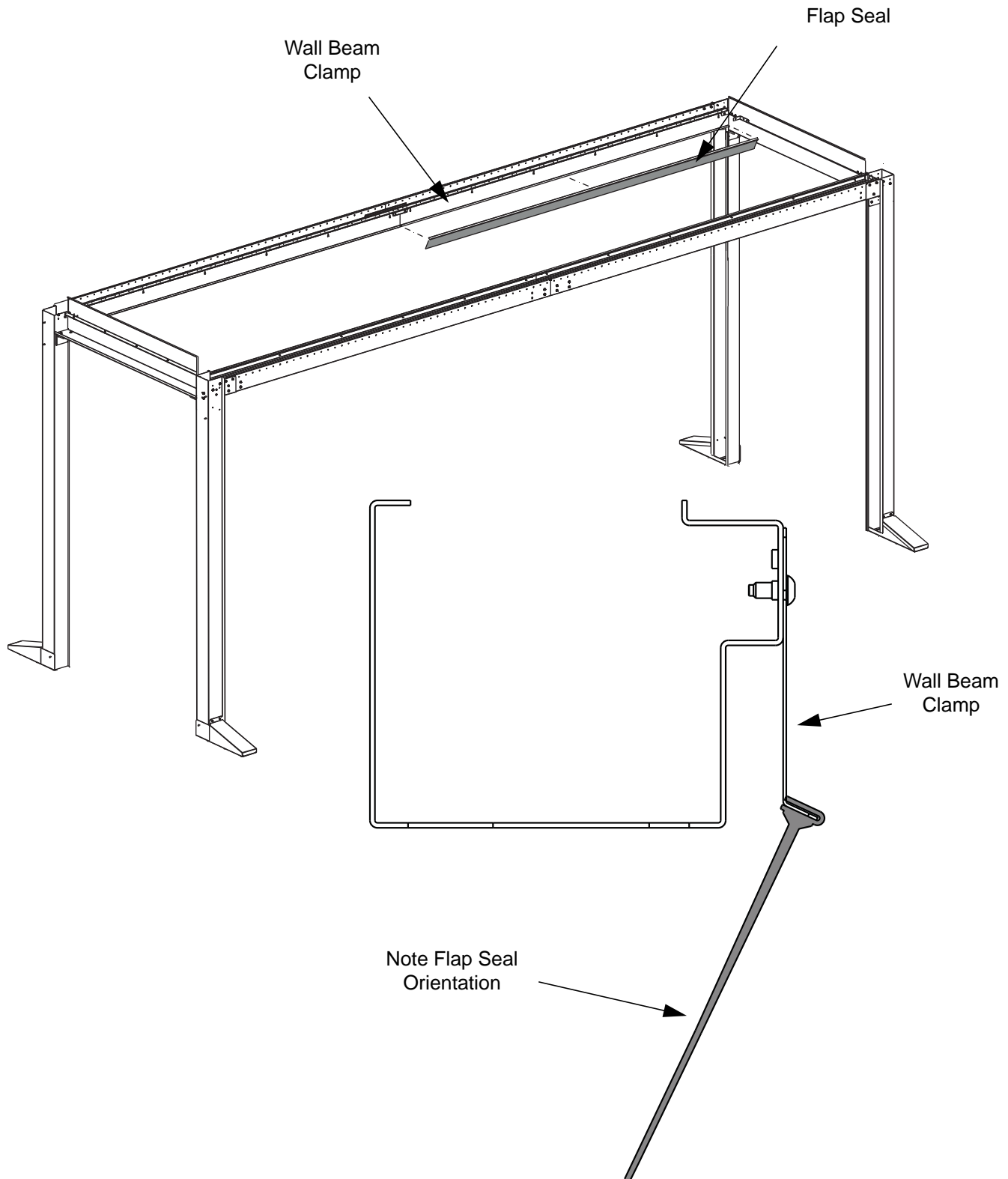
Installing Wall Beam Clamp

- Attach the required number of beam clamps to span the length of the aisle with M5x12mm button head screws.



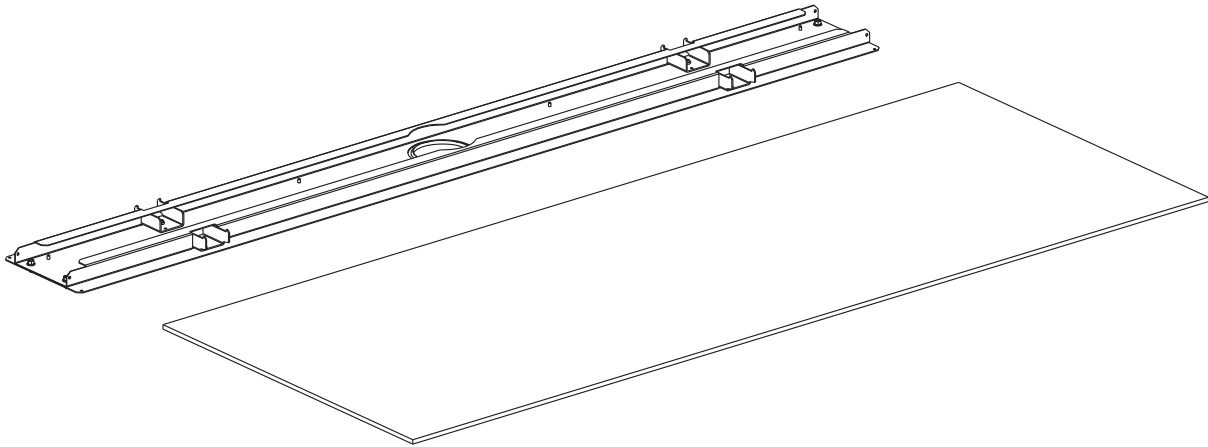
Attaching Flap Seal to Wall Beam Clamp

- Install the flap seal onto the wall beam clamp for each wall beam as shown.



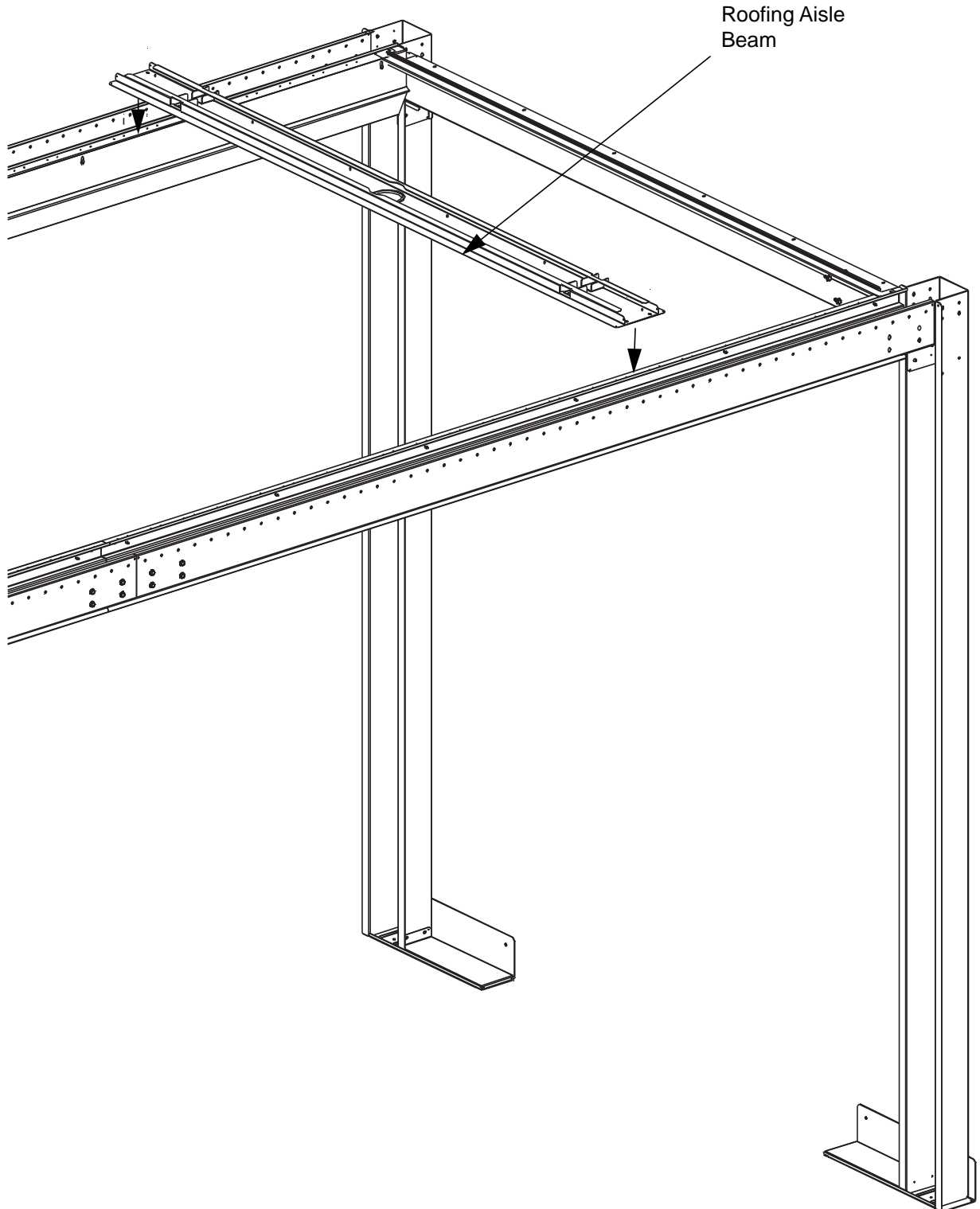
SECTION 3

INSTALLATION OF
AISLE CONTAINMENT ROOFING
CURFS06F04HB** CURFS06F06HB**
CURFS07F04HB** CURFS07F06HB**
CURFS08F04HB** CURFS08F06HB**



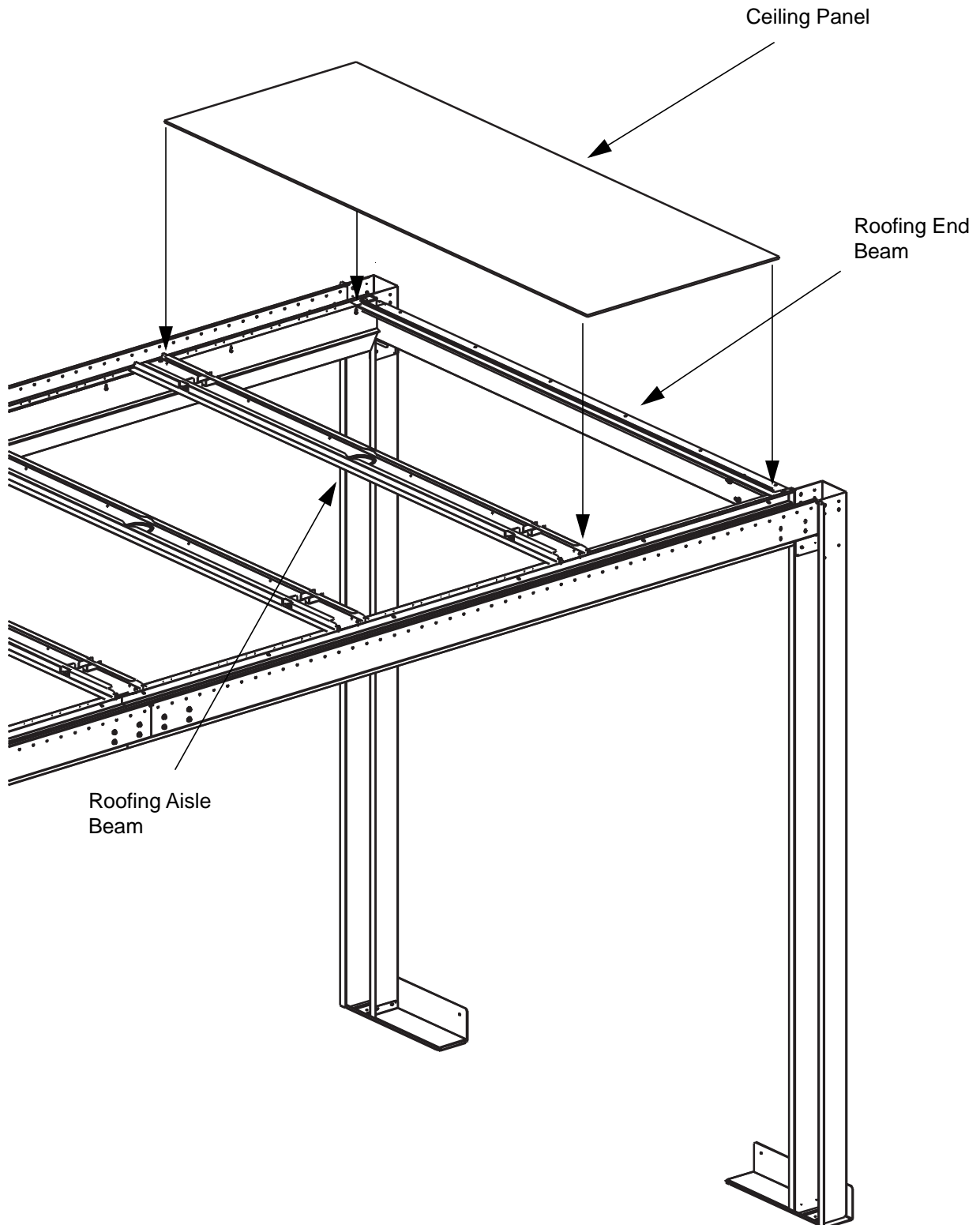
Installing Aisle Containment Roofing Aisle Beam

- Position the roofing aisle beam on the (2) wall beams at approximate location(s).



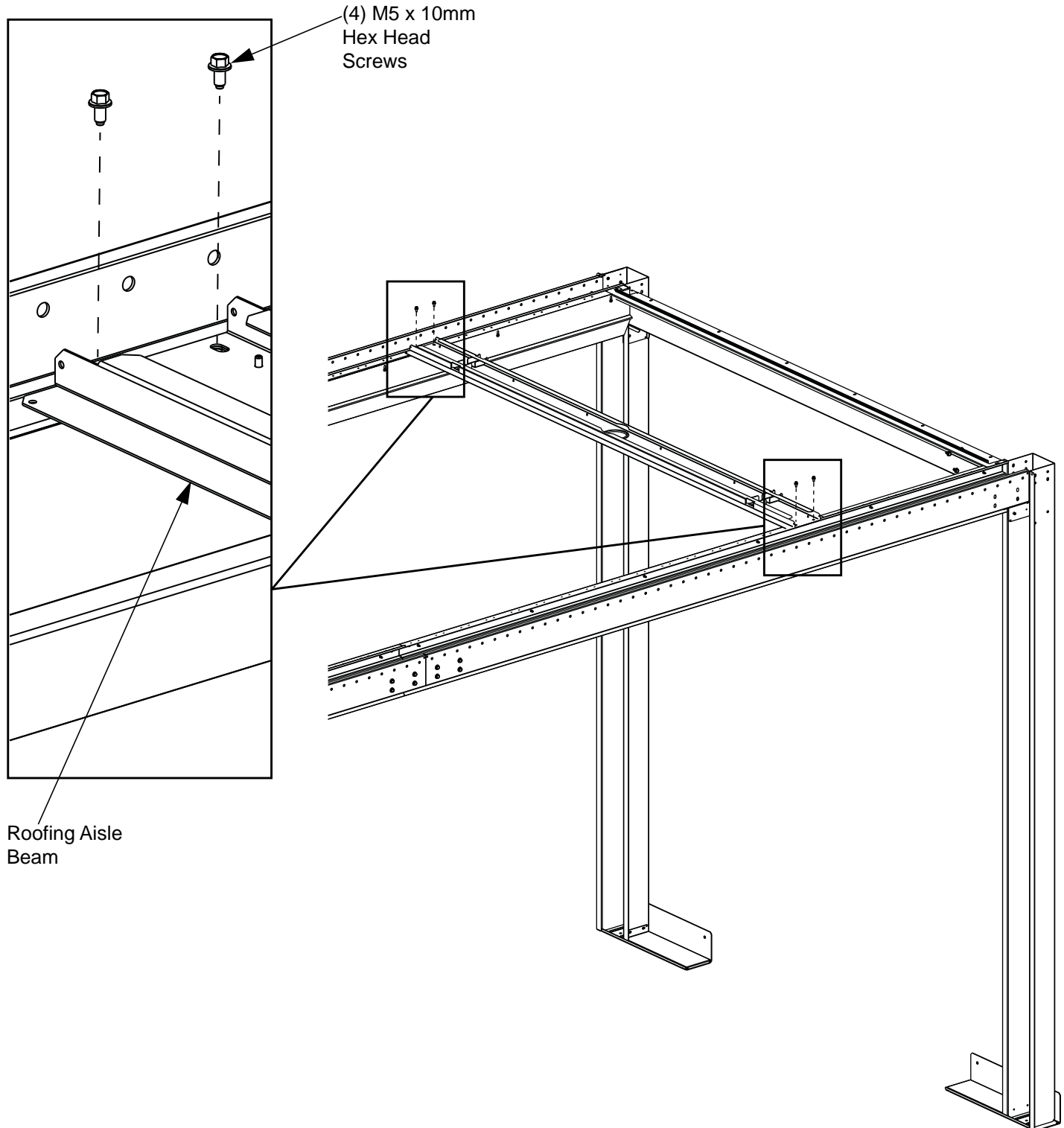
Placing Ceiling Panel

- Lower (1) ceiling panel between the roofing end beam and the roofing aisle beam.
- Adjust the position of the roofing aisle beam using the ceiling panel as a guide.



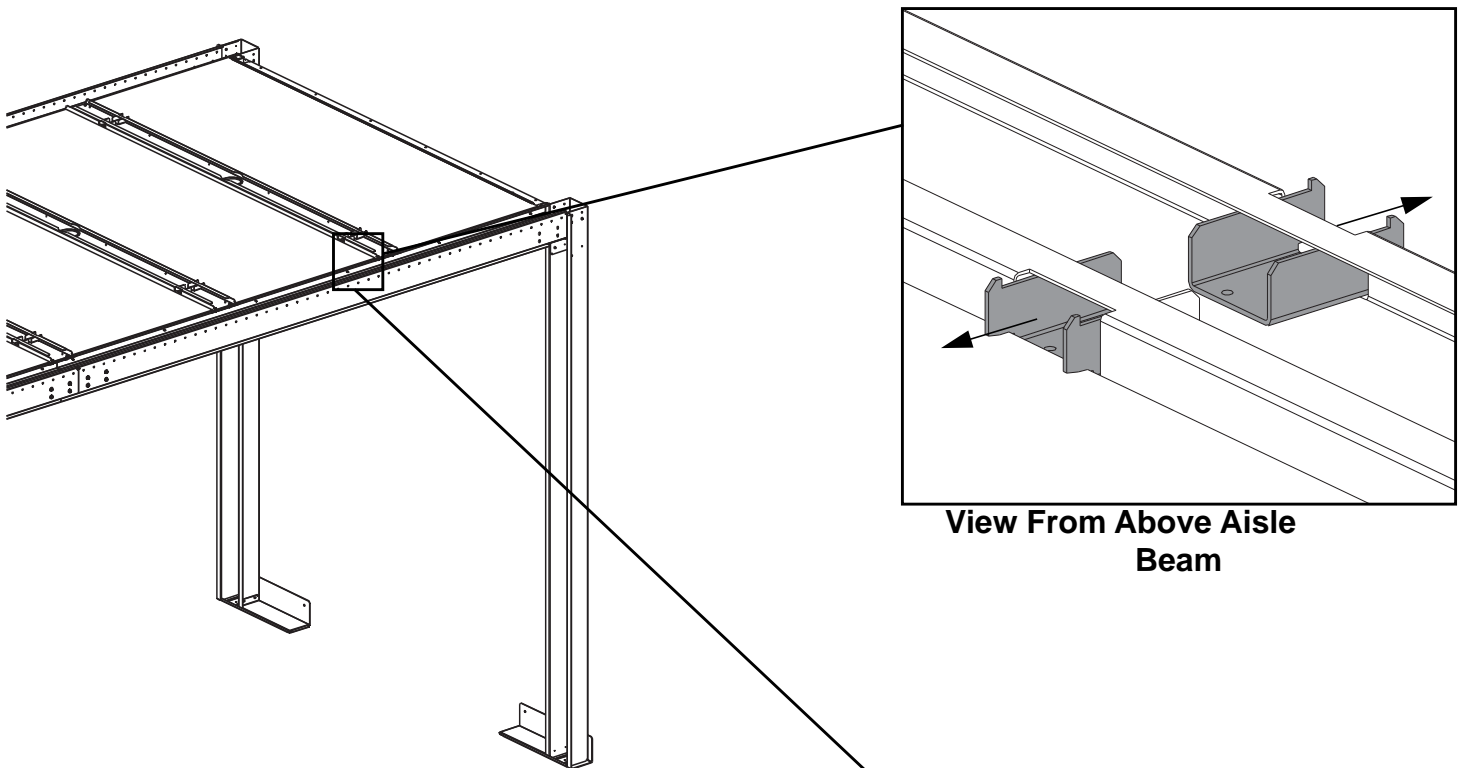
Securing Aisle Containment Roofing Aisle Beam

- Attach the roofing aisle beam to the (2) wall beams with (4) M5x10mm hex head screws.
- Repeat process for each roofing aisle beam.

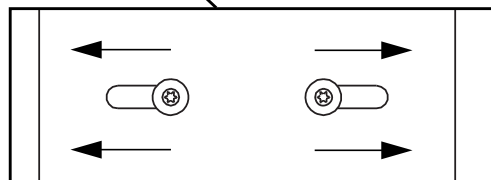


Securing Ceiling Panel

- From underneath the roofing aisle beam, loosen the (4) M5 button head screws.
- Slide the (4) M5 button head screws out causing the ceiling panel hold down to slide over the ceiling panel securing it in place.
- Re-tighten the (4) M5 button head screws in the roofing aisle beam.
- Repeat process for every roofing aisle beam in pod.



View From Above Aisle Beam



View From Under Aisle Beam

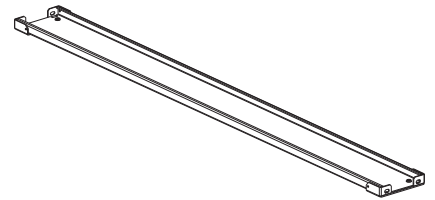
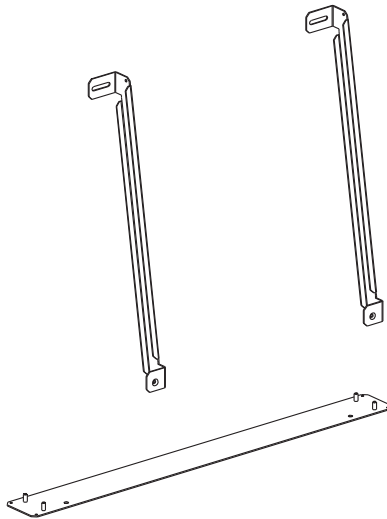
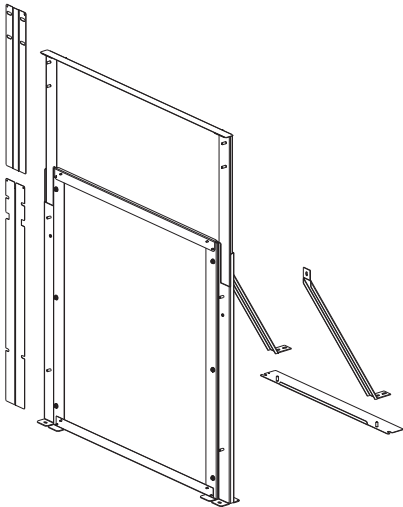
SECTION 4

INSTALLATION OF AISLE CONTAINMENT VERTICAL WALLS, VERTICAL WALL ADAPTERS, AND VERTICAL WALL BRACE

C2HAC06I1626**
C2HAC07I1626**
C2HAC08I1626**
C2HAC06I2638**
C2HAC07I2638**
C2HAC08I2638**
C2HAC06I3866**
C2HAC07I3866**
C2HAC08I3866**

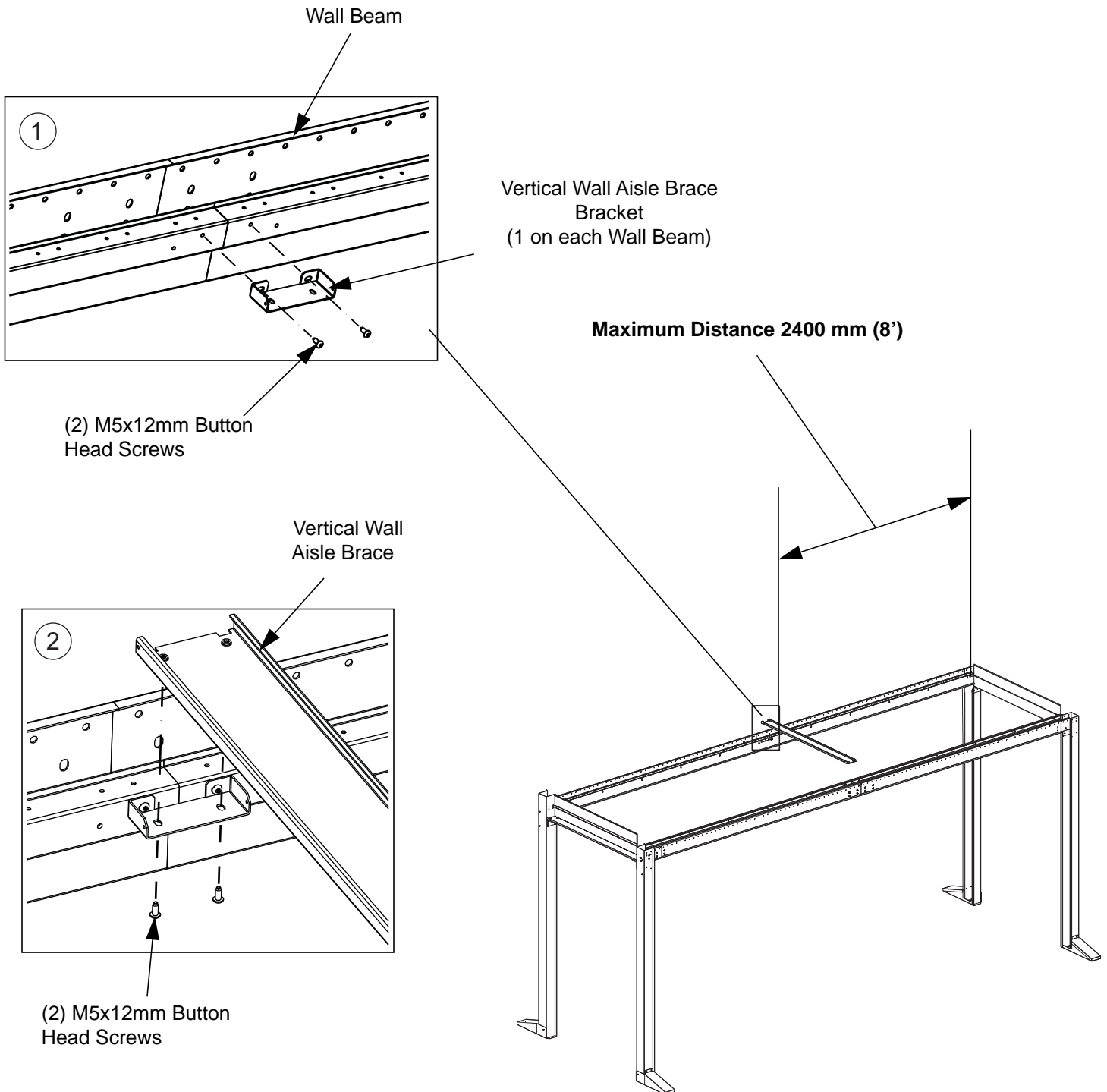
CUSRVWA06**
CUSRVWA07**
CUSRVWA08**

CUSRVWB12S12ST**



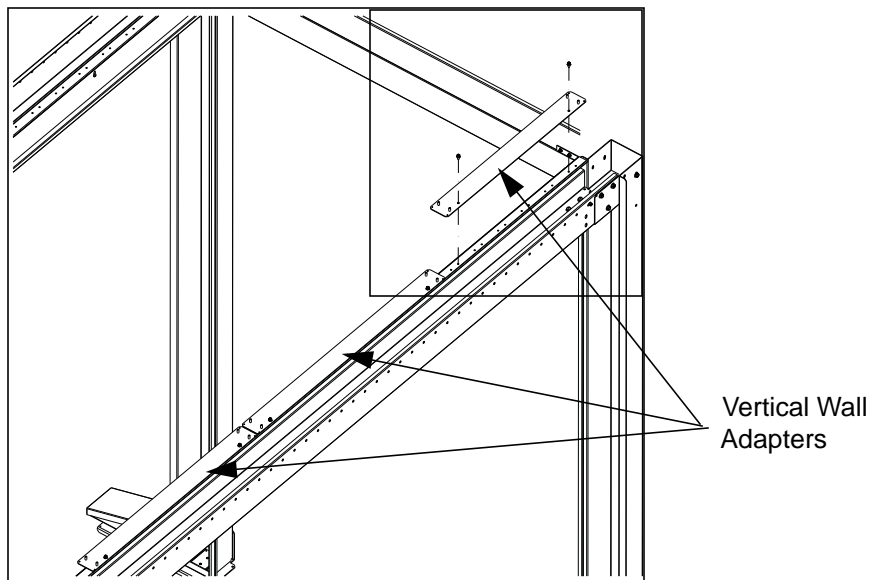
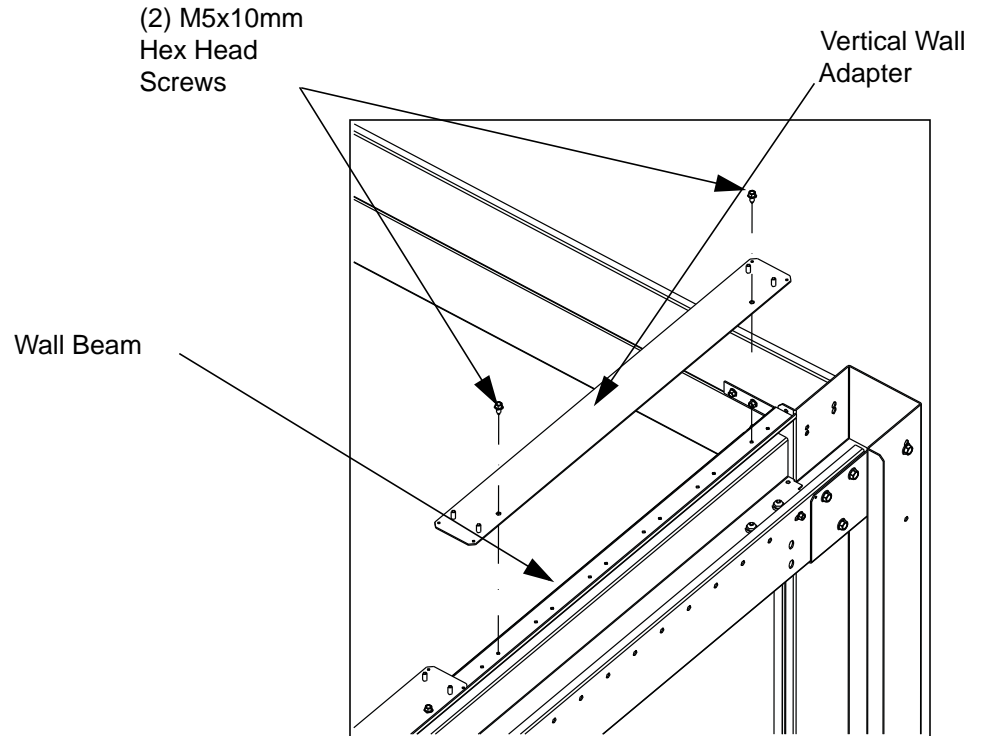
Installing Vertical Wall Brace

- **NOTE:** The max distance without a vertical wall brace is 2,400mm (8').
- Install bracket for vertical wall brace to each wall beam using (2) M5 X 12mm Button Head Screws each as shown.
- Install vertical wall brace to both vertical wall brace brackets using (2) M5 X 12mm Button Head Screws on each side as shown.



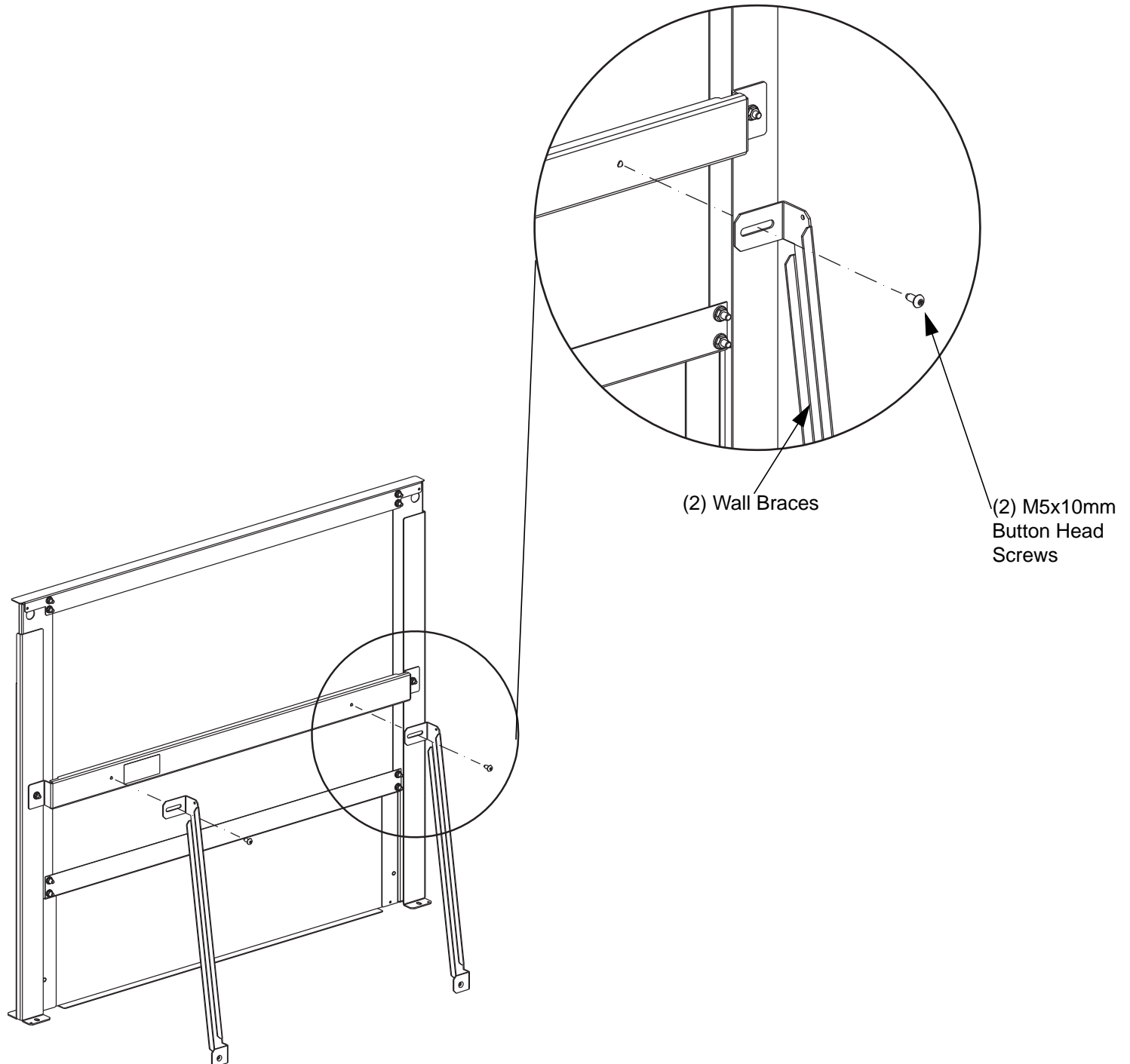
Installing Vertical Wall Adapter

- Using (2) M5x10mm hex head screws, attach the vertical wall adapter to the wall beam.
- Repeat process for all of vertical wall adapters required.



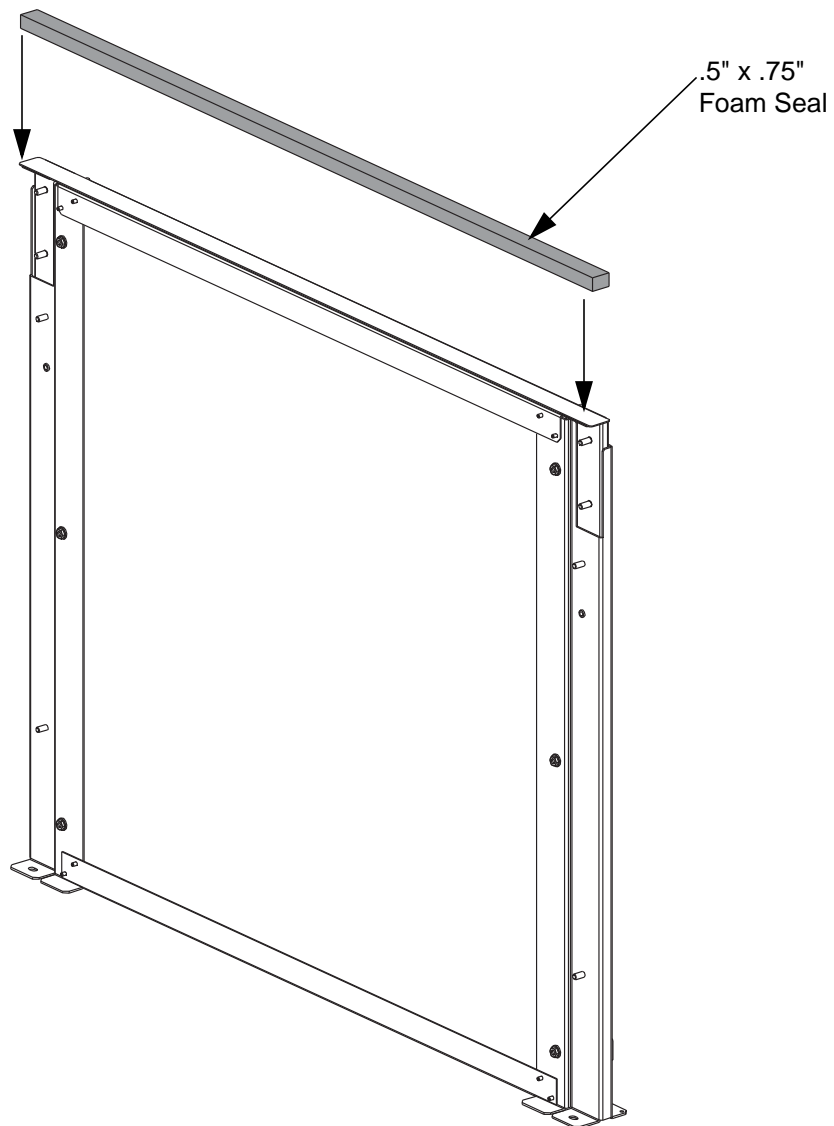
Attaching Wall Brace to Vertical Wall

- Using (2) M5x10mm button head screws, attach (2) wall braces to the vertical wall.
- Discard the diagonal braces that come with the vertical walls.
- Repeat process for all vertical walls required.



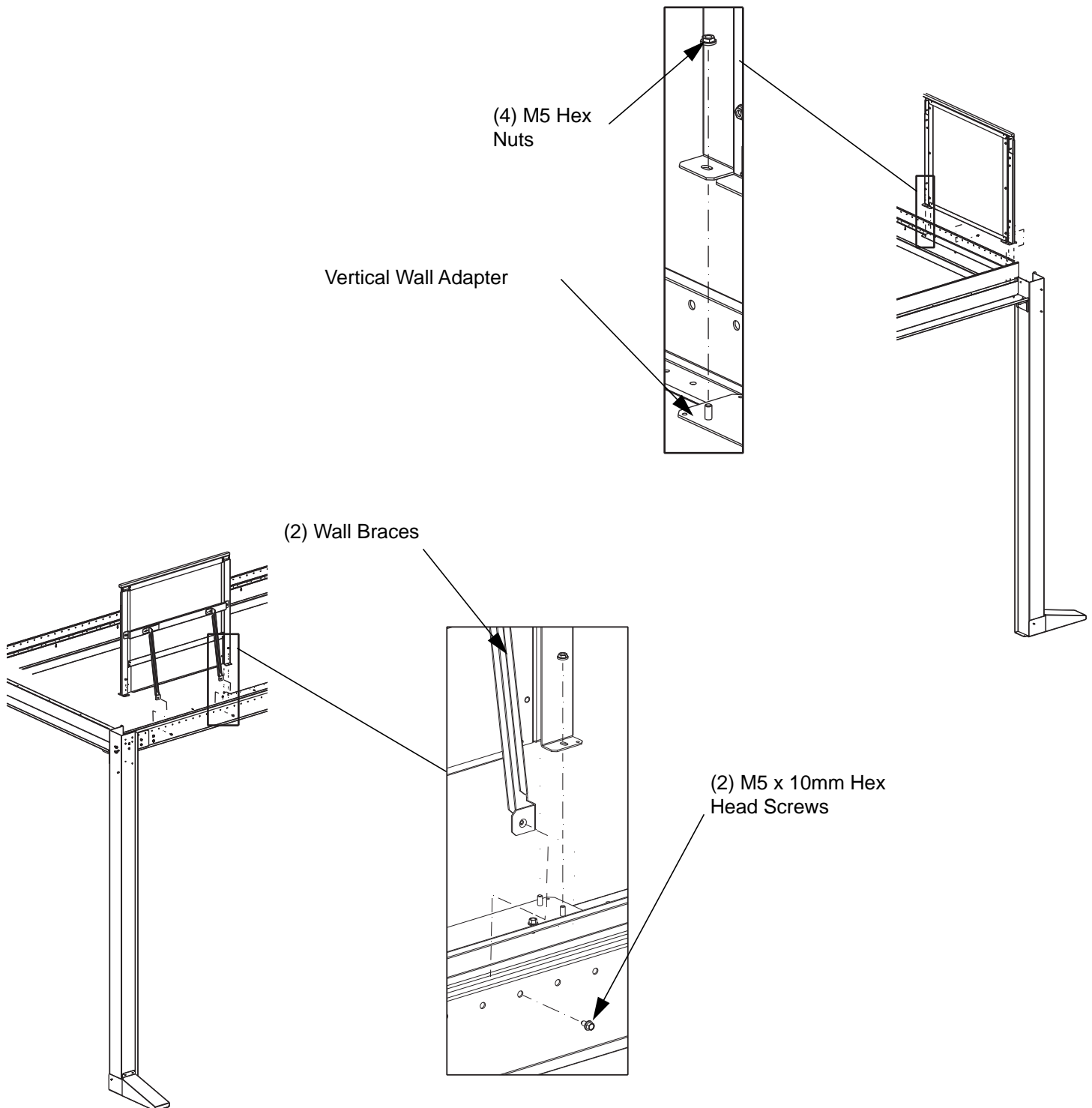
Applying Foam Seal to Vertical Wall

- Apply (1) strip of .5" x .75" foam seal across the top flange of the vertical wall.
- Repeat process for all vertical walls required.



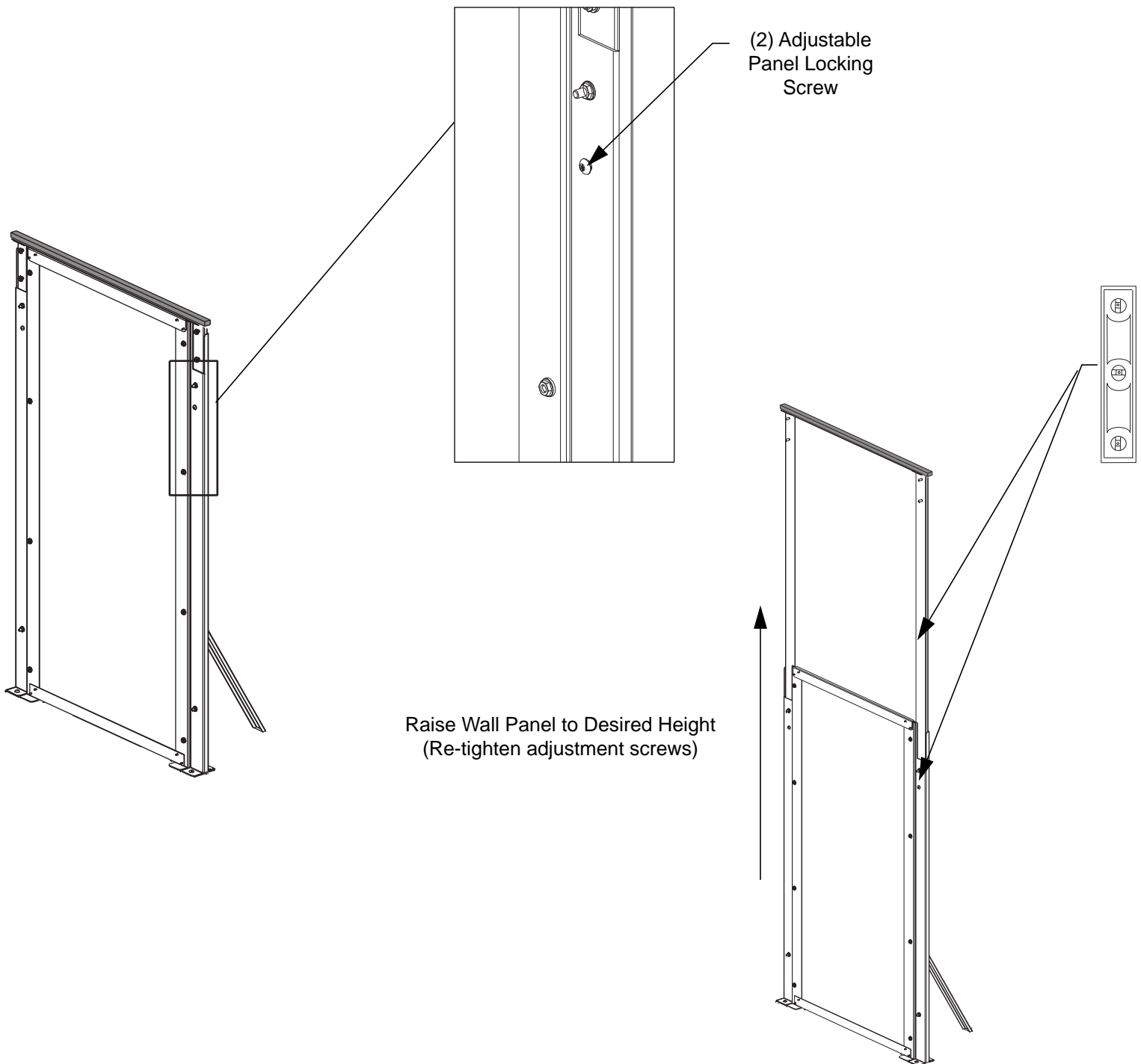
Installing Vertical Wall

- Place the vertical wall on top of the vertical wall adapter passing the studs on the adapter through the slots in the feet of the wall.
- Secure the vertical wall to the vertical wall adapter with (4) M5 hex nuts.
- Fasten the (2) wall braces to the wall beam with (2) M5 x 10mm hex head screws.
- Repeat process for each vertical wall required.



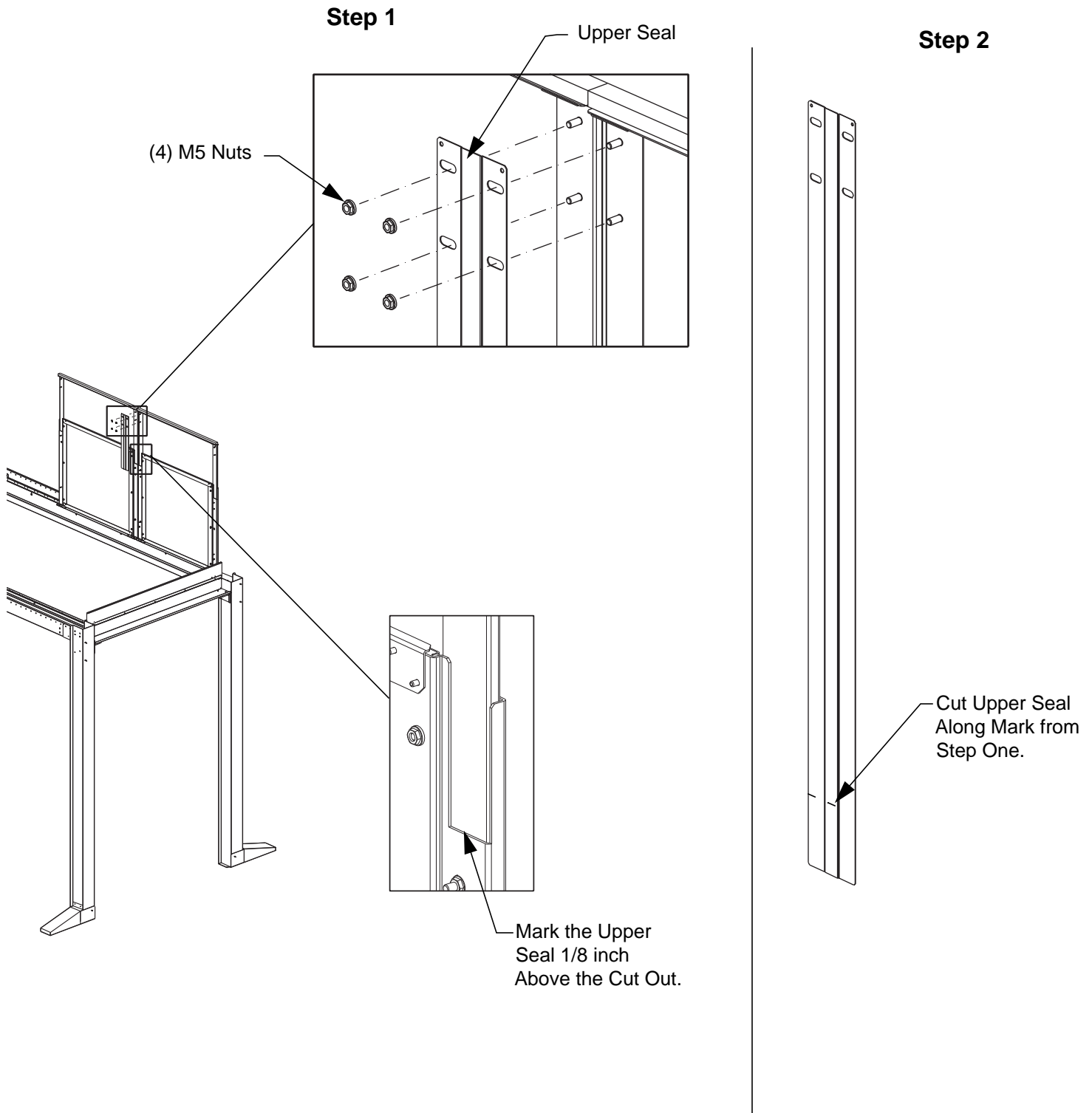
Setting Wall Panel Height

- Once wall panel is secured to cabinet, raise wall panel to desired height.
- Loosely, install the (2) adjustment screws on the front of the wall panel.
- Level relative to lower wall.
- Tighten adjustment screws to secure wall panel to desired height.



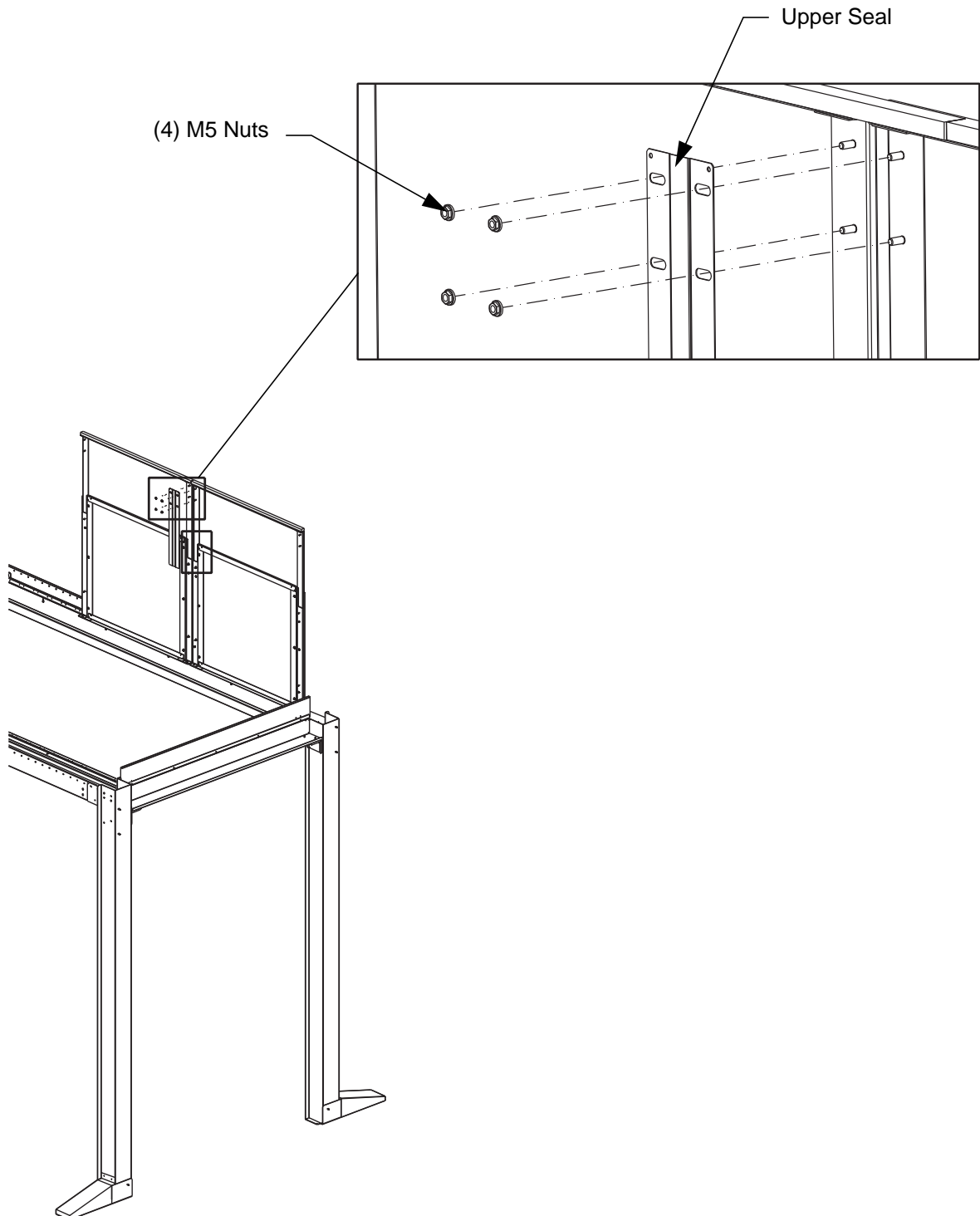
Sizing Upper Seal

- With wall panel in raised position, attach the upper seal to the wall panel with (4) M5 nuts and mark 1/8 inch above the cut out as shown in Step 1.
- Cut top seal along mark as shown in Step 2.



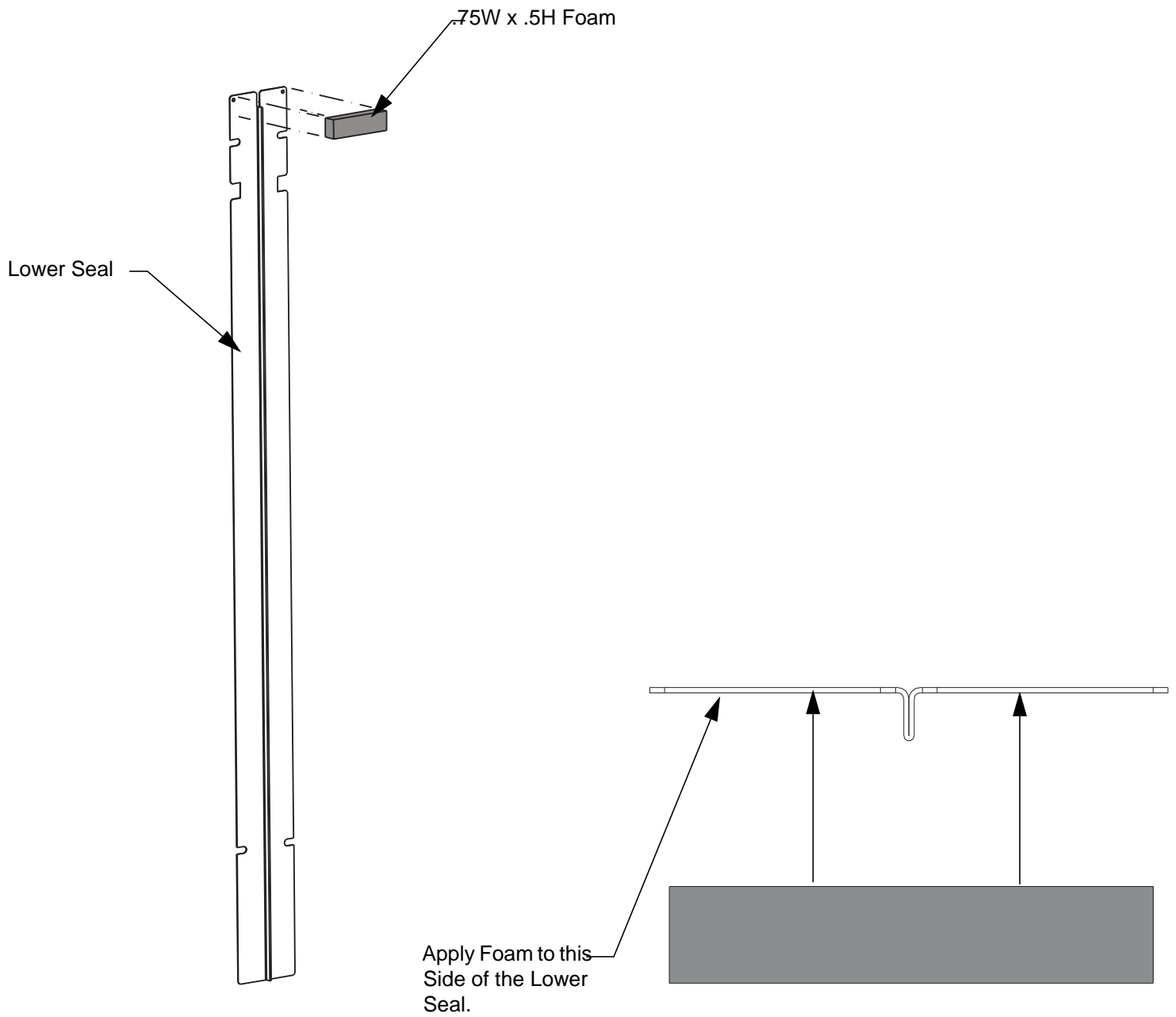
Attaching Upper Seal

- Attach the top seal in between (2) wall panels with (4) M5 nuts.



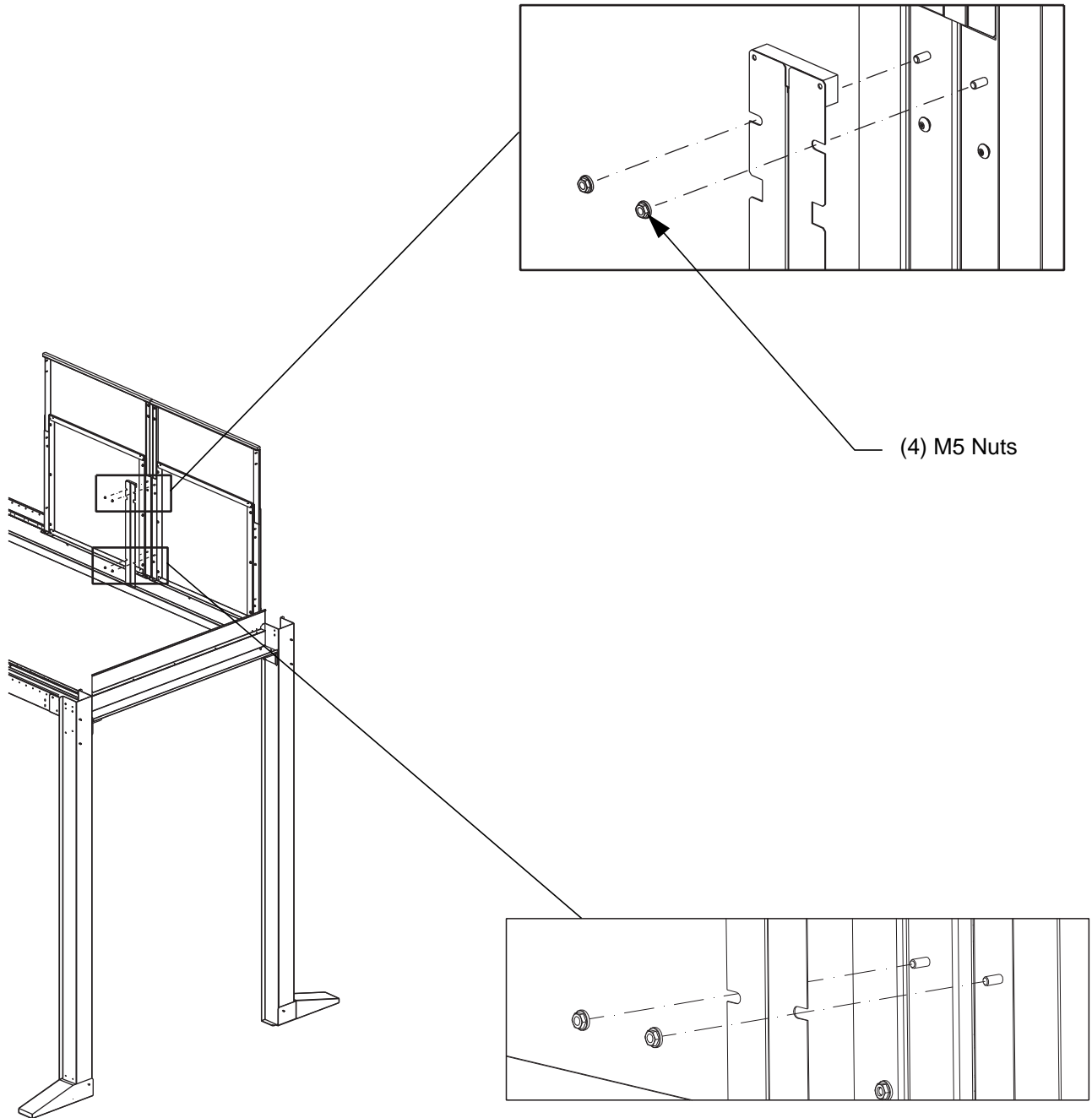
Attaching Foam to Lower Seal

- Attach the provided strip of .75W x .5H foam seal to the width of the bottom seal.



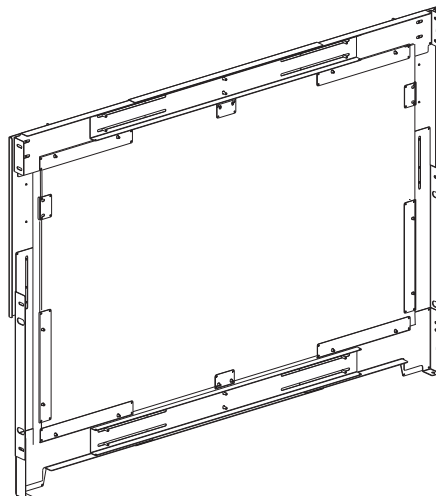
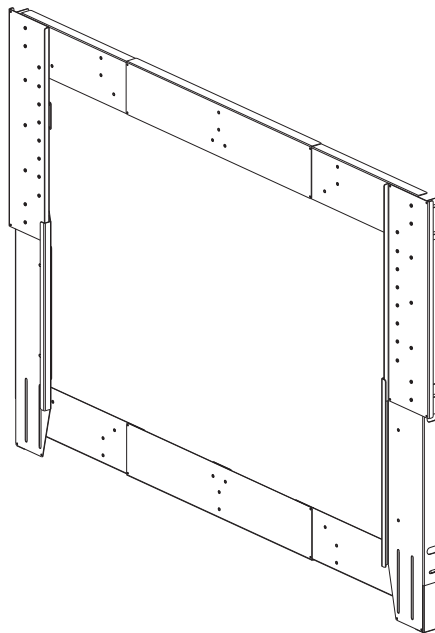
Attaching Lower Seal

- Using (4) M5 nuts, attach bottom seal with foam strip in between (2) wall panels.



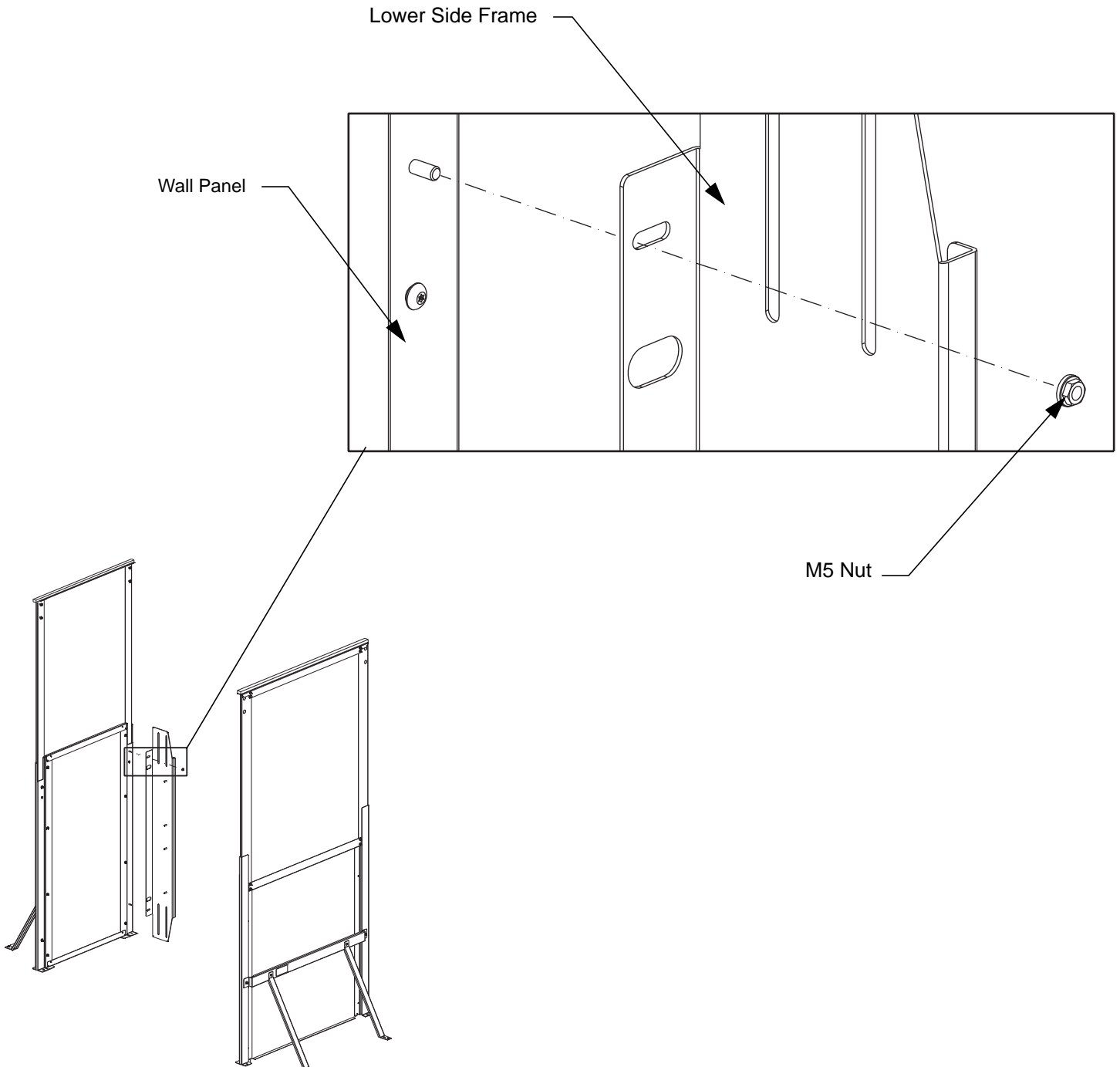
SECTION 5

INSTALLATION OF
END OF ROW VERTICAL WALL
C2HACERI1626**
C2HACERI2638**
C2HACERI3866**



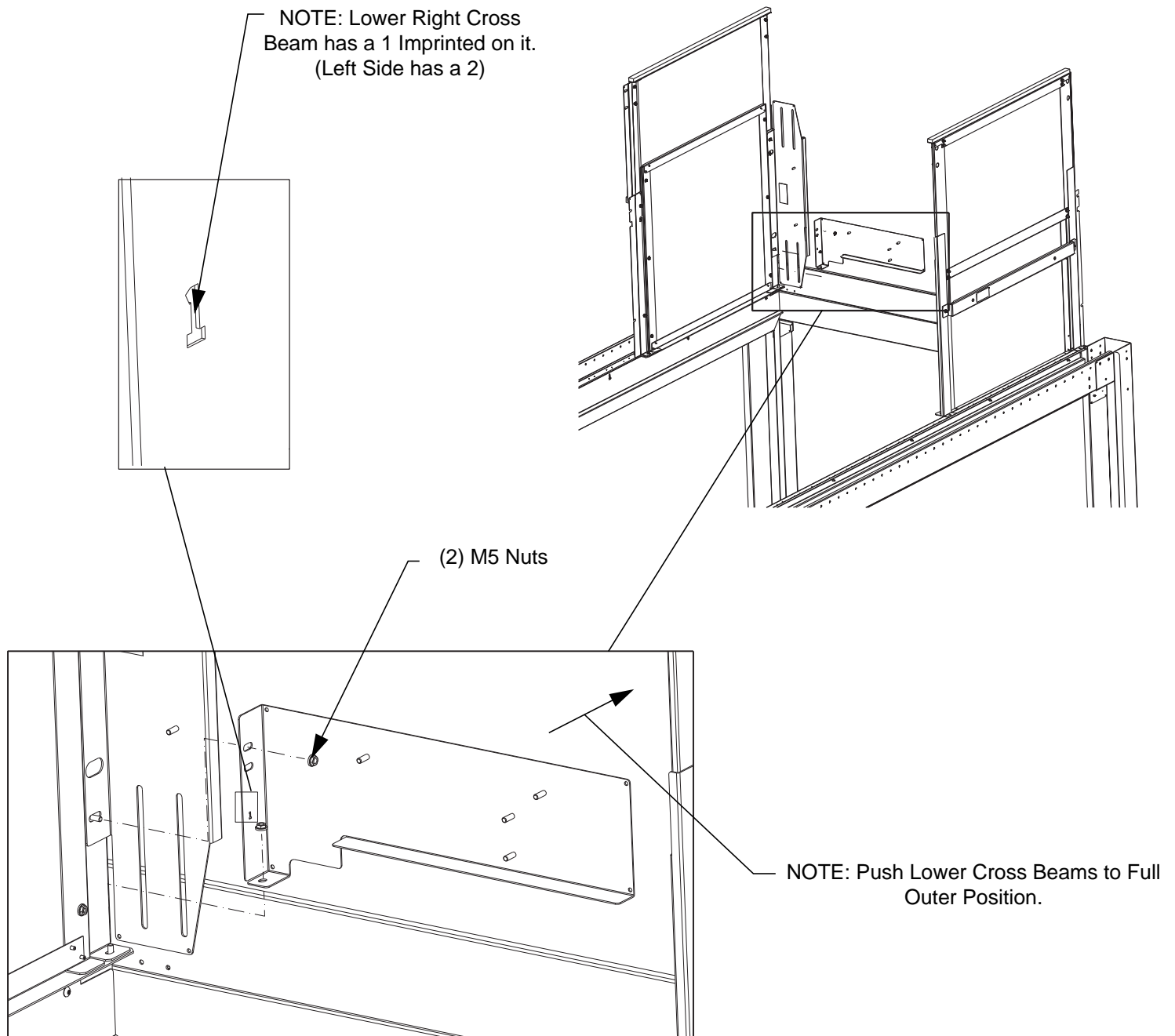
Attaching Lower Side Frame

- Attach lower side frame to the right wall panel with (1) M5 nut.
- Repeat process for left side.



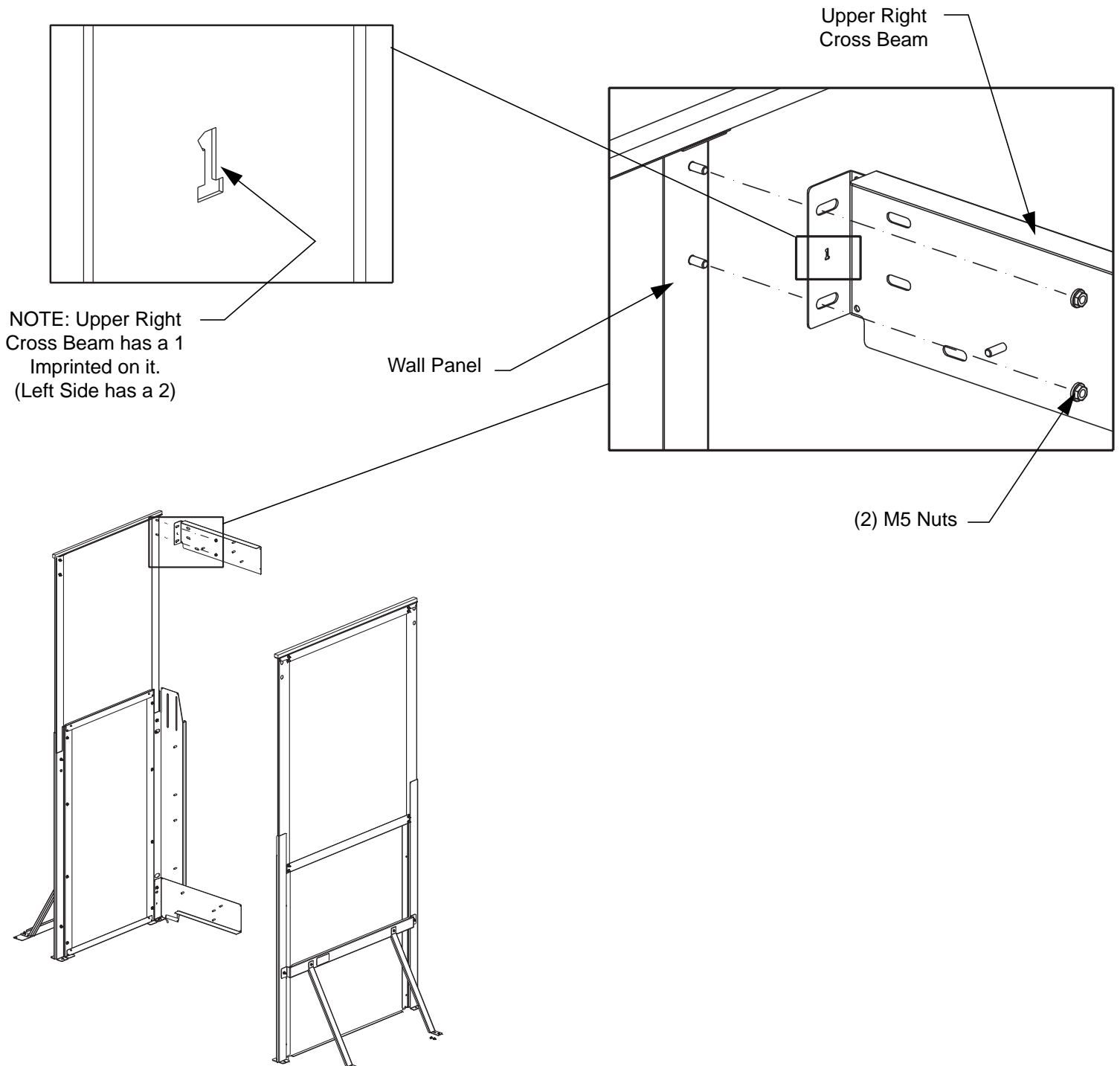
Attaching Lower Cross Beams

- Attach lower right cross beam to the bottom of the right wall panel with (2) M5 nuts.
- Secure lower right cross beam to the top of the vertical wall adapter.
- Repeat process for left side.



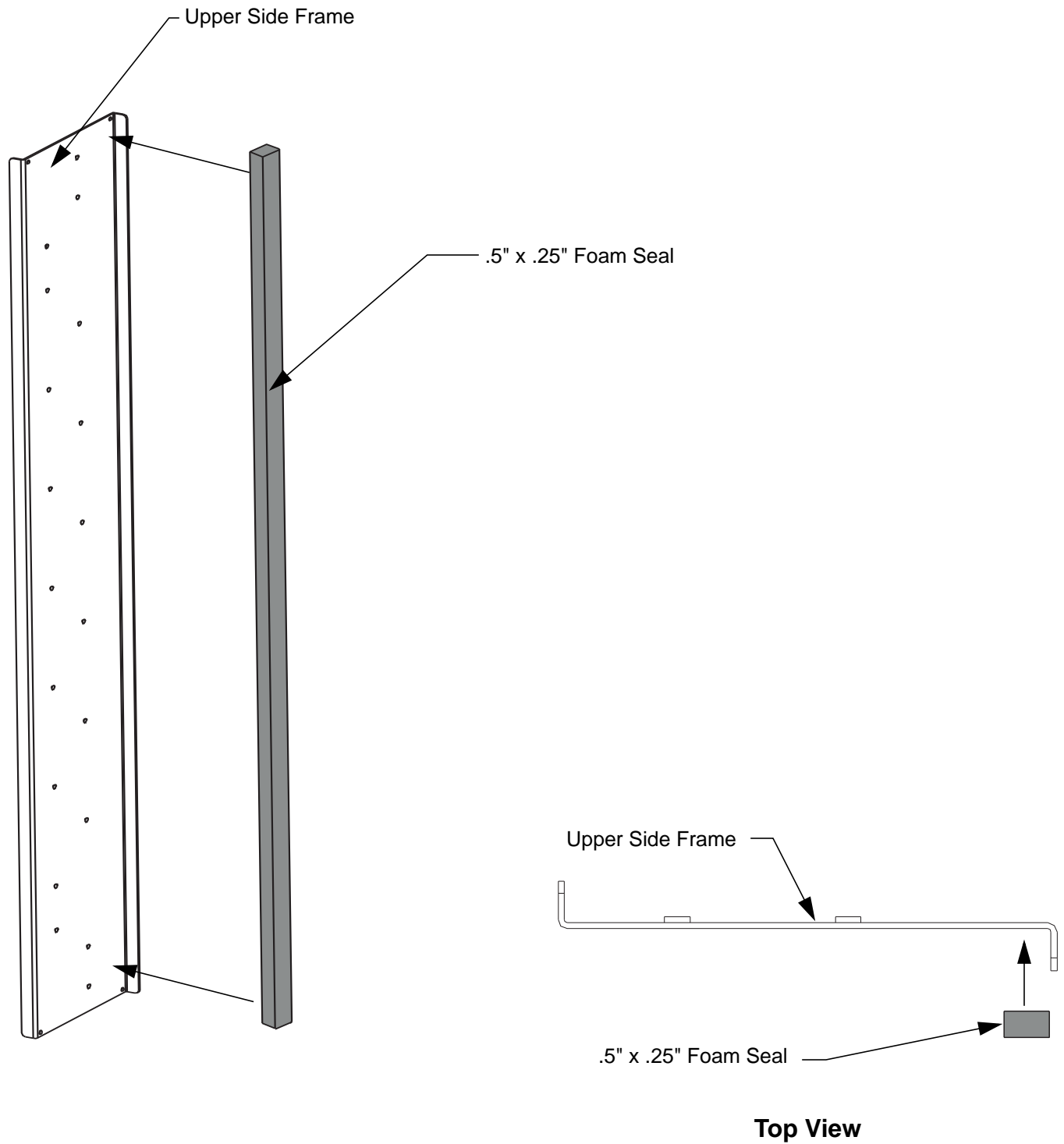
Attaching Upper Cross Beams

- Secure the upper right cross beam to the top of the right wall panel with (2) M5 Nuts.
- Repeat process for upper left cross beam.



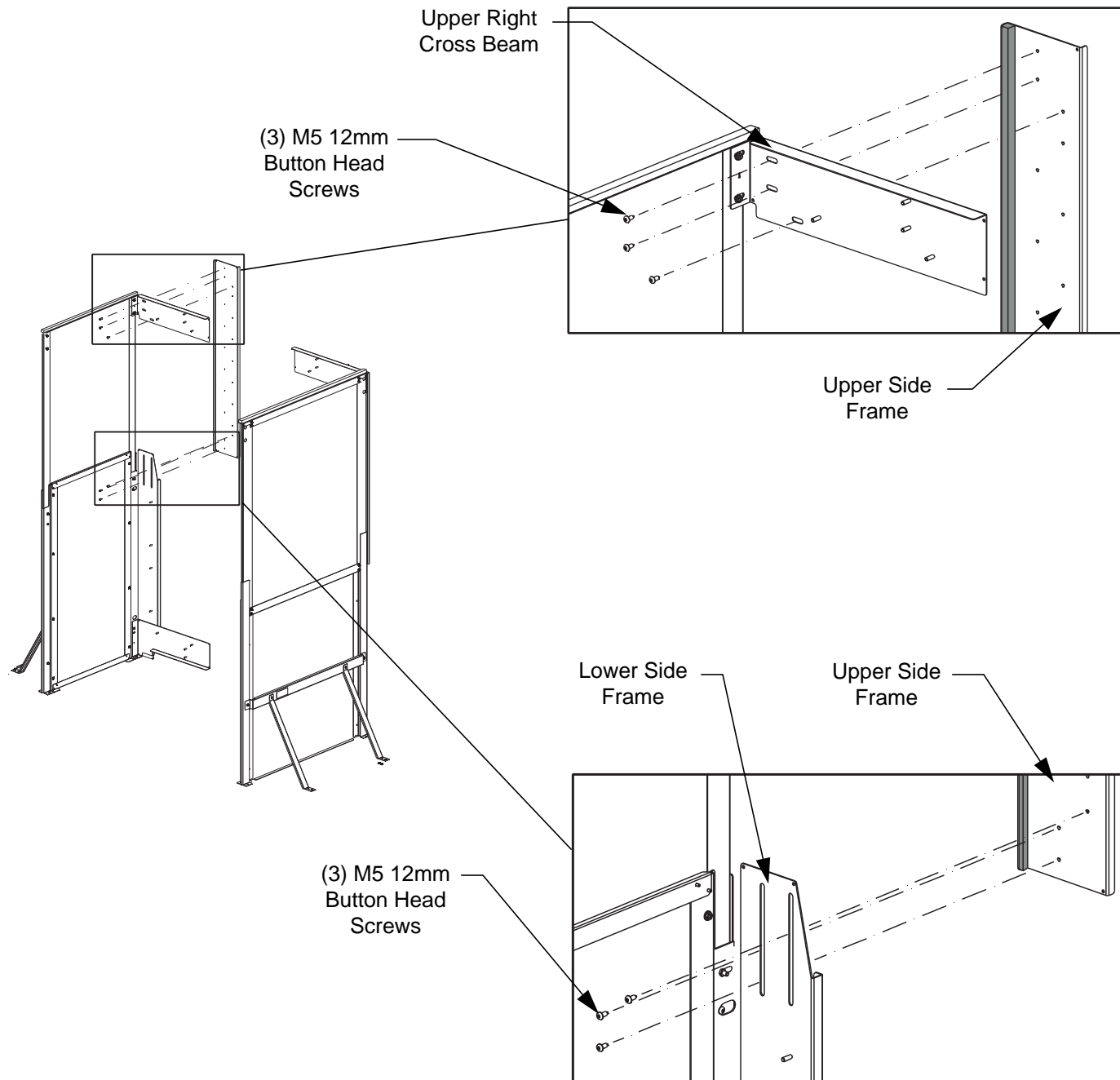
Attach Foam Seal to Upper Side Frame

- Attach (1) strip of .5x.25 inch foam next to the inside flange of each of the upper side brackets.



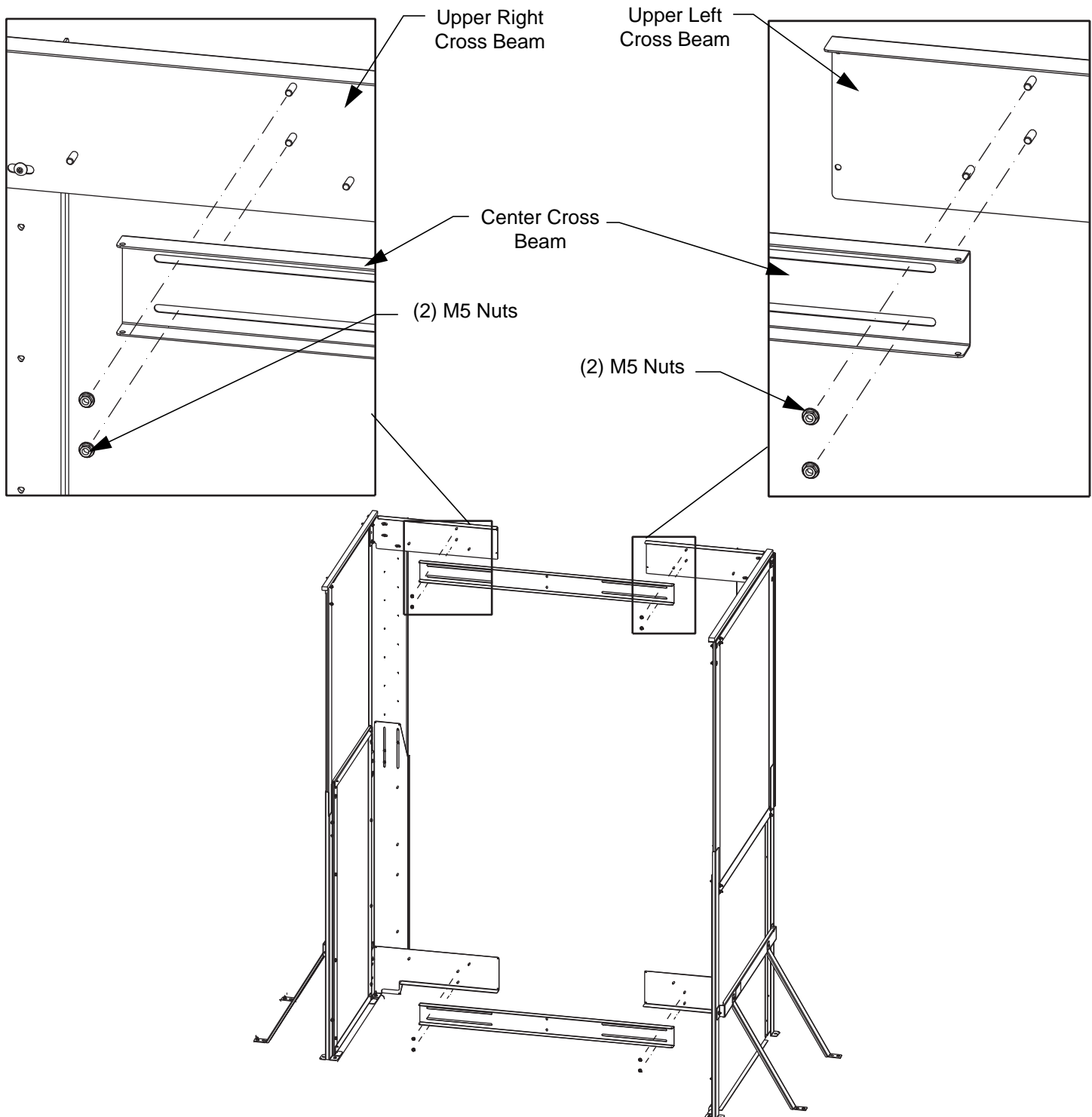
Attaching Upper Side Frame

- Attach (1) upper side frame to the upper right cross beam with (3) M5 12mm screws
- Secure upper side frame to lower side frame with (3) M5 12mm screws
- Repeat process for left side.



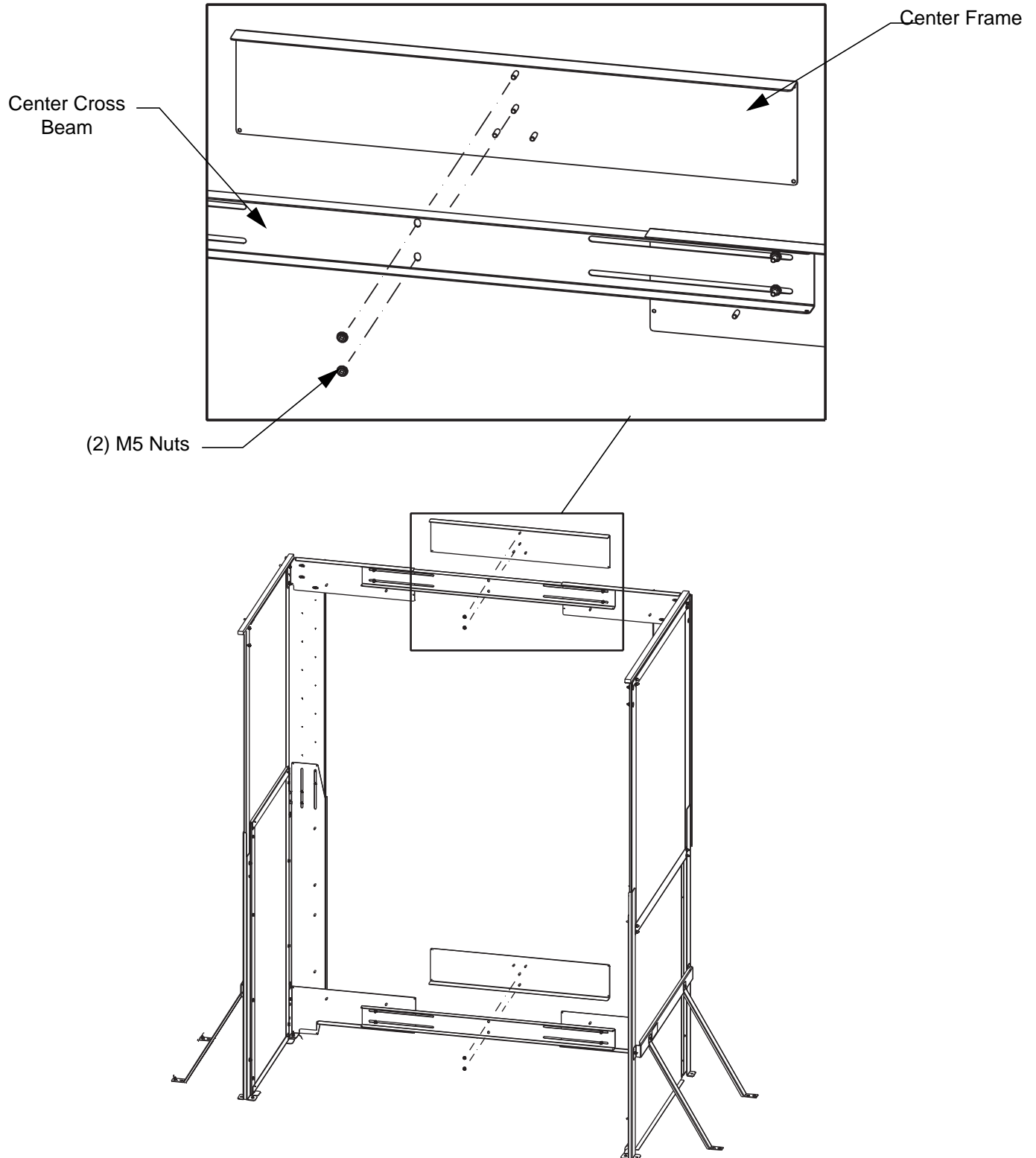
Attach Center Cross Beams

- Attach (1) center cross beam to upper right cross beam with (2) M5 nuts (do not tighten).
- Attach same center cross beam to upper left cross beam with (2) M5 nuts (do not tighten).
- Make sure the center cross beam is centered between the upper left cross beam and the upper right cross beam.
- Tighten nuts.
- Repeat process for lower right and lower left cross beams.



Attach Center Frames

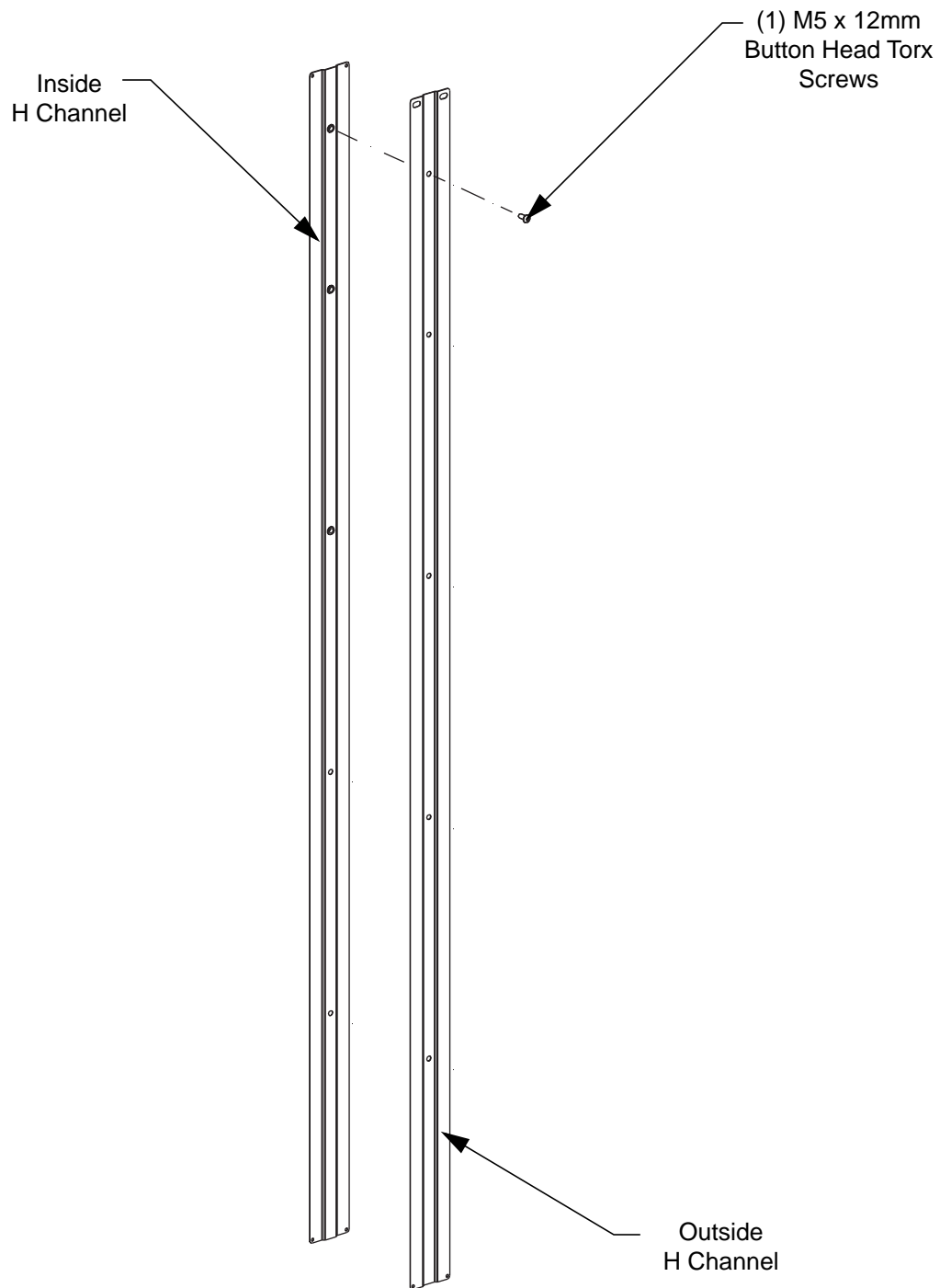
- Attach (1) center frame to the upper center cross beam with (2) M5 nuts.
- Repeat process for lower center cross beam.



Assemble H Channel

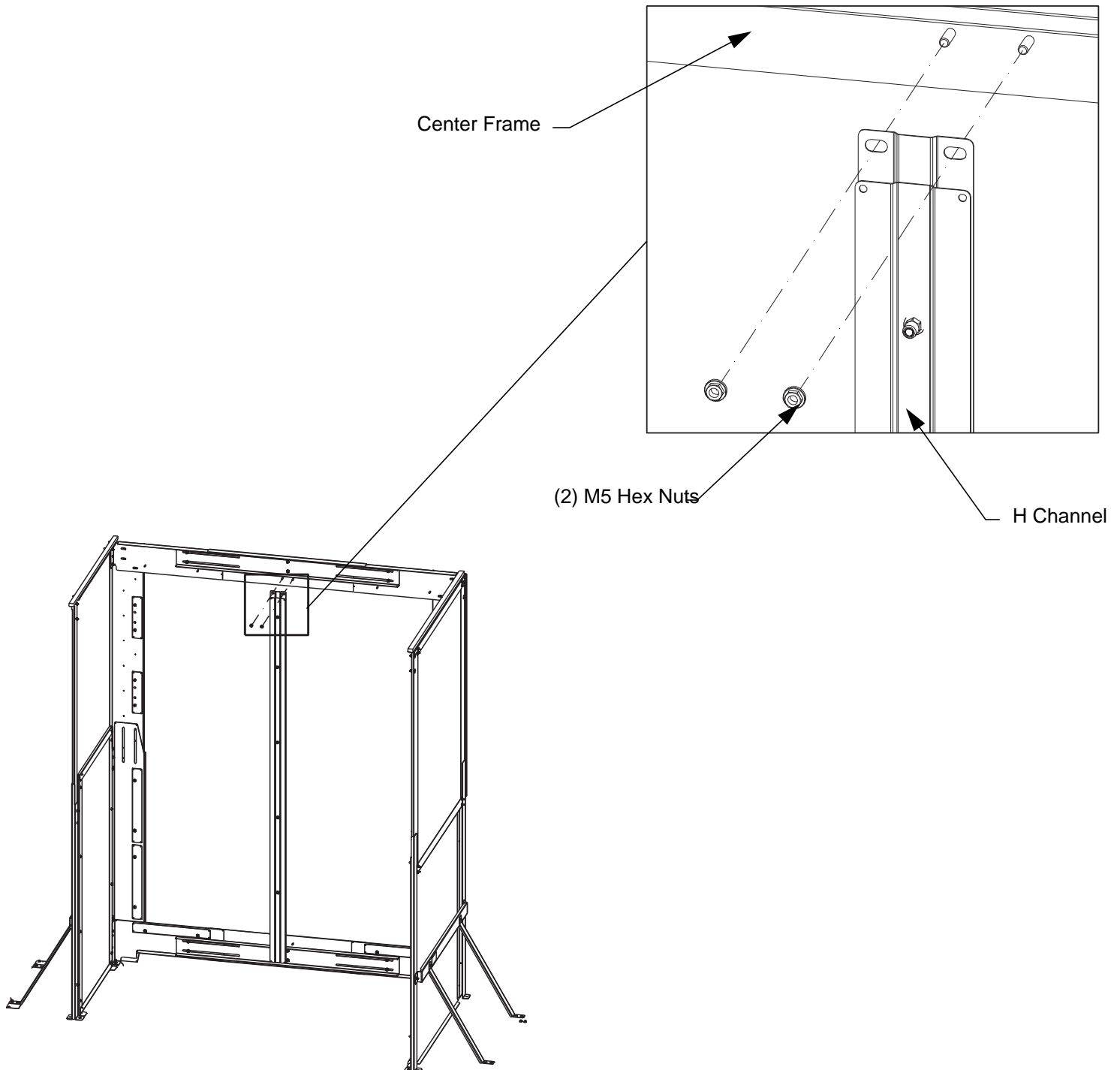
[For End of Row Adjustable Vertical Wall, 38" - 66" (C2HACERI3866) Only]

Using (1) M5 x 12mm button head torx screws, attach the inside H Channel to the outside H channel.



Attach H Channel to Center Frame [For End of Row Adjustable Vertical Wall, 38"- 66" (C2HACER13866) Only]

- Attach H channel to the center frame with (2) M5 hex nuts.

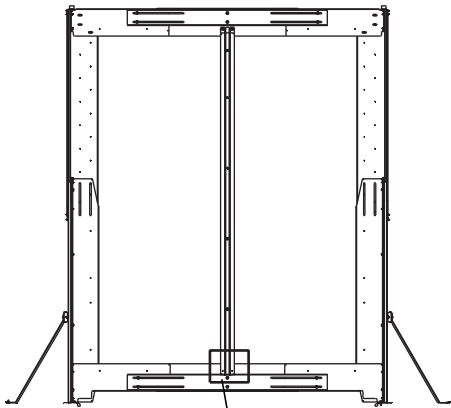


Mark and Cut H Channel

[For End of Row Adjustable Vertical Wall, 38" - 66" (C2HACERI3866) Only]

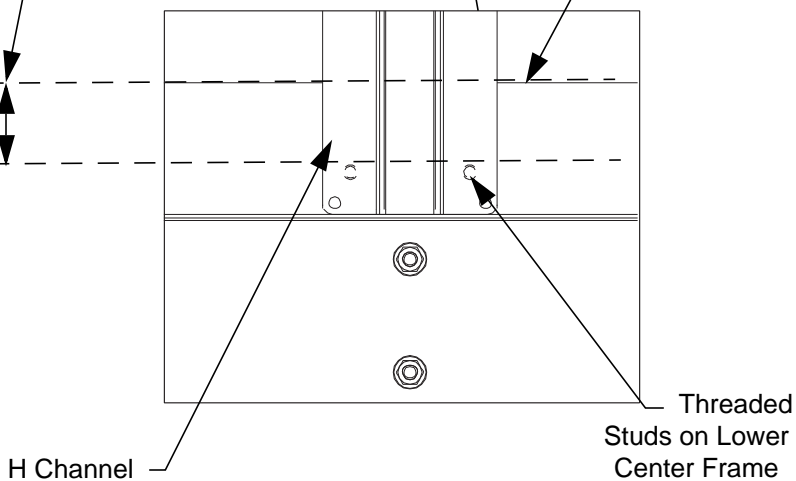
- Make a mark on the inside and outside H Channels above the threaded studs on the lower center frame and below the edge of the lower center frame.
- Detach H Channel assembly from top center frame.
- Separate the inside H Channel from the outside H Channel.
- Cut inside H Channel and outside H Channel along mark made in Step 1.

Step 1



Mark the H Channel Above Studs on Lower Center Frame and Below the Edge of the Lower Center Frame.

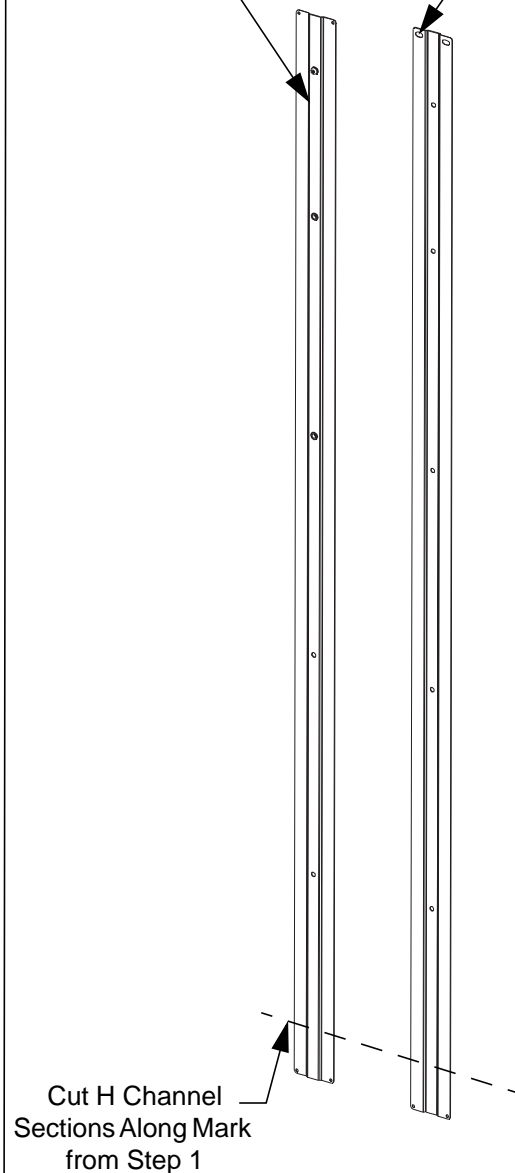
Edge of Lower Center Frame



Step 2

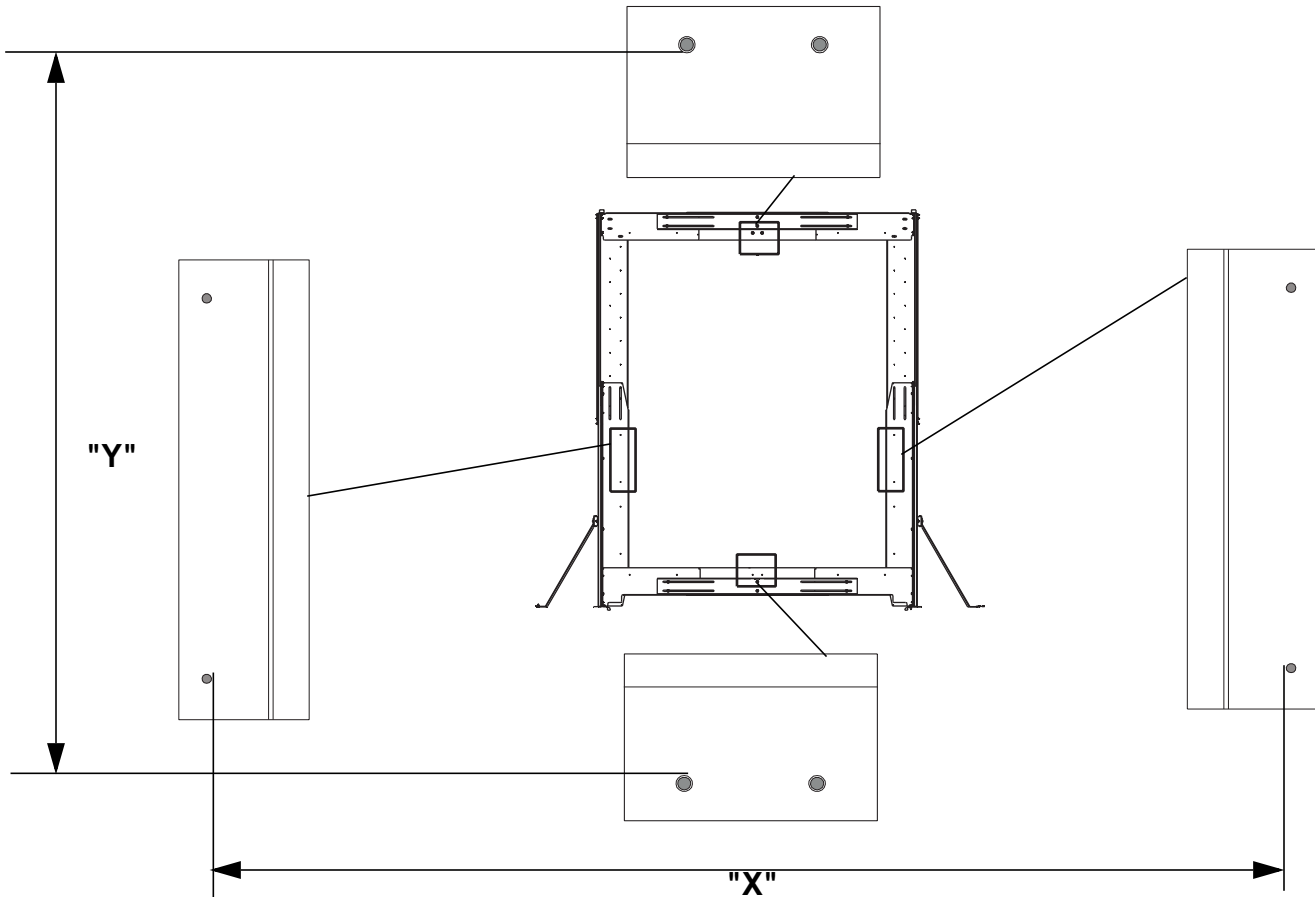
Inside H Channel

Outside H Channel



Measure and Cut Wall Panel

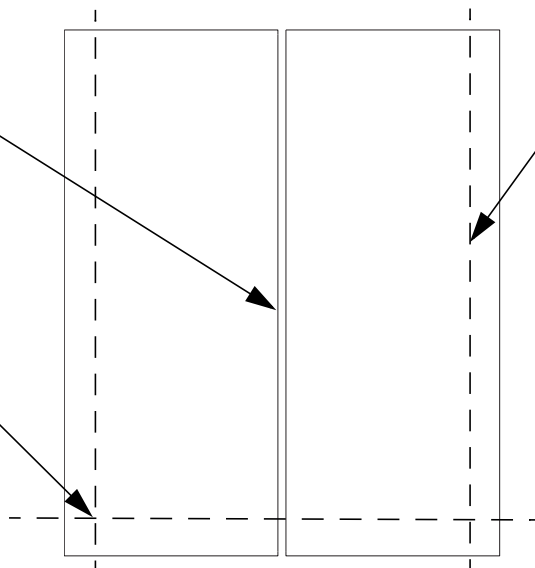
- Measure distance between top and bottom studs in frame. (Shown as distance "Y")
- Measure distance between left and right studs in frame. (Shown as distance "X")
- Cut wall panel to match lengths "X" and "Y" using a sharp knife and a straight edge.
- Note: For End of Row Adjustable Vertical Wall, 38"- 66" (C2HACERI3866) the combined width of wall panels and H Channel should total length "X". When trimming length "X", trim the sides equally to keep the H Channel centered.



H Channel Only Used with End of Row Adjustable Vertical Wall, 38"- 66" (Part # C2HACERI3866)

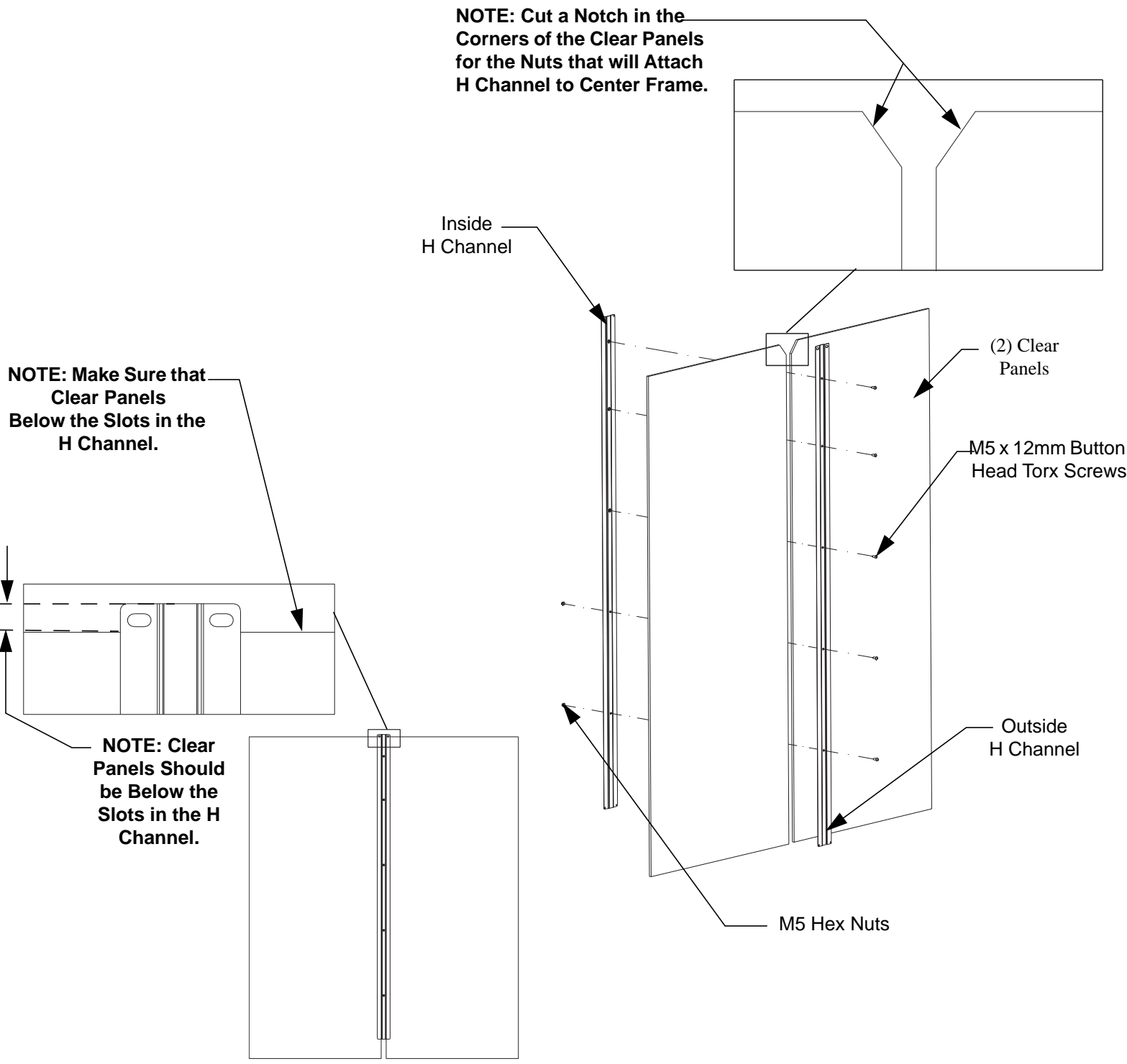
Cut Wall Panels to Match Lengths "X" and "Y" Using a Sharp Knife and a Straight Edge.

NOTE: When Using H Channel, Trim Equal Amounts from Both Clear Panels to Keep H Channel Centered.



Attaching H Channel to Clear Panels [For End of Row Adjustable Vertical Wall, 38"- 66" (C2HACERI3866) Only]

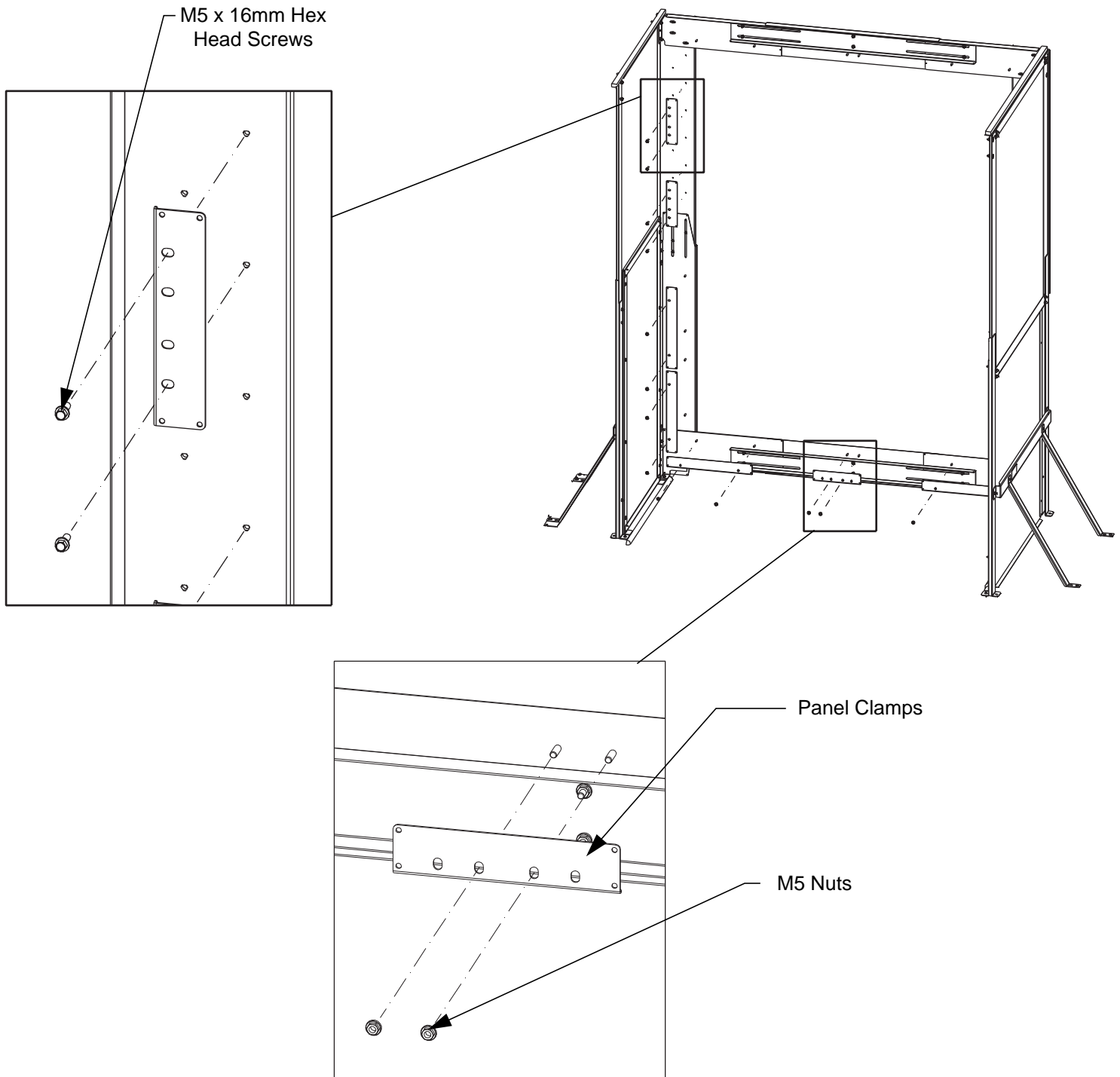
- Attach the inside H Channel to the outside H Channel with M5x12mm button head torx screws and M5 hex nuts securing (2) clear panel in between the inside and outside H Channels. The number of screws and nuts depends on the height of the wall.
- NOTE: When placing the clear panels, make sure that they are under the slots in the top of the H Channel.



Attach Bottom and Side Wall Panel Clamps

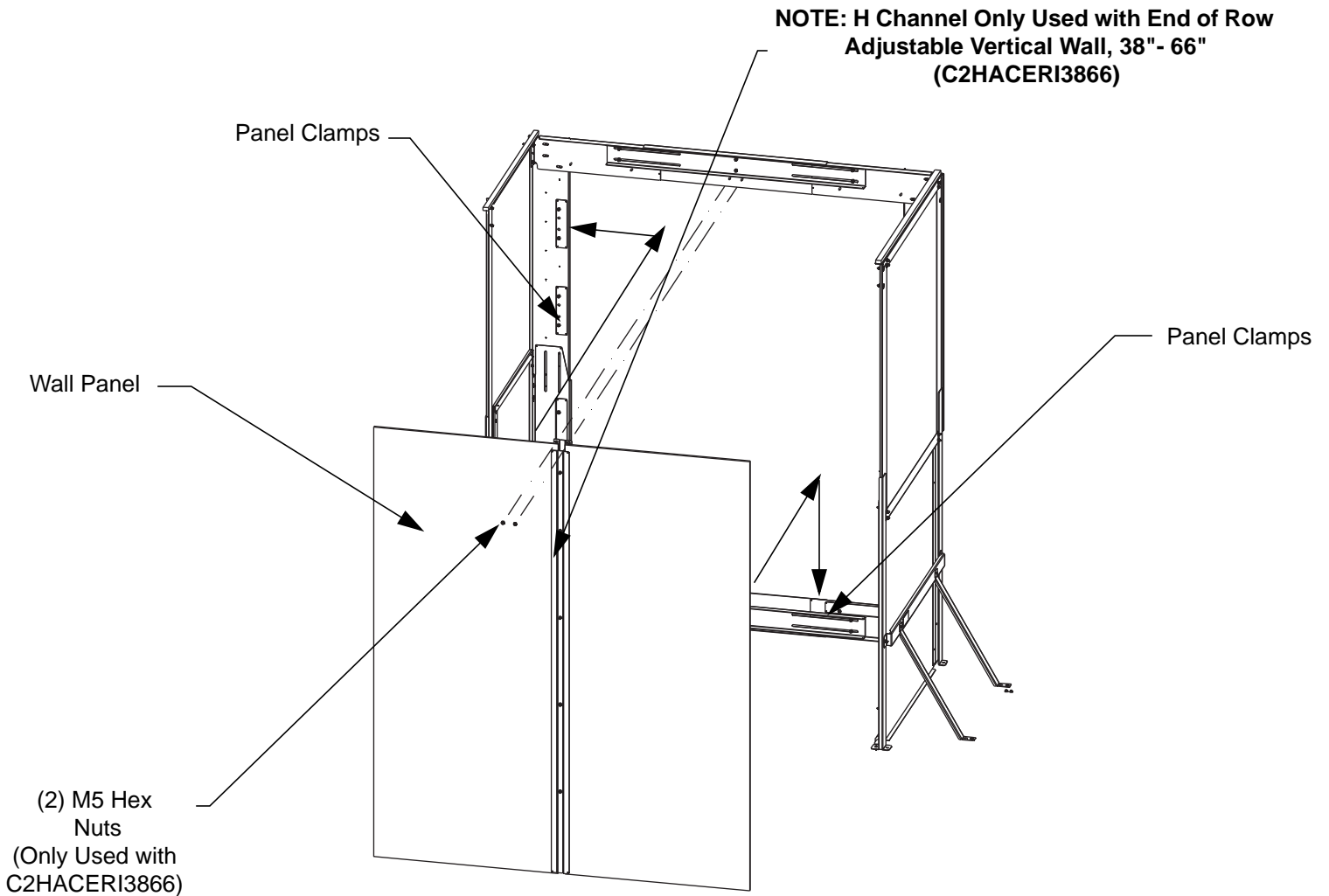
- Attach required number of panel clamps across the bottom of the wall and along one side with M5 nuts and M5 16mm hex head screws. (Do not tighten fasteners.)

Note: Required number of panel clamps and fasteners will vary depending on wall size and height.



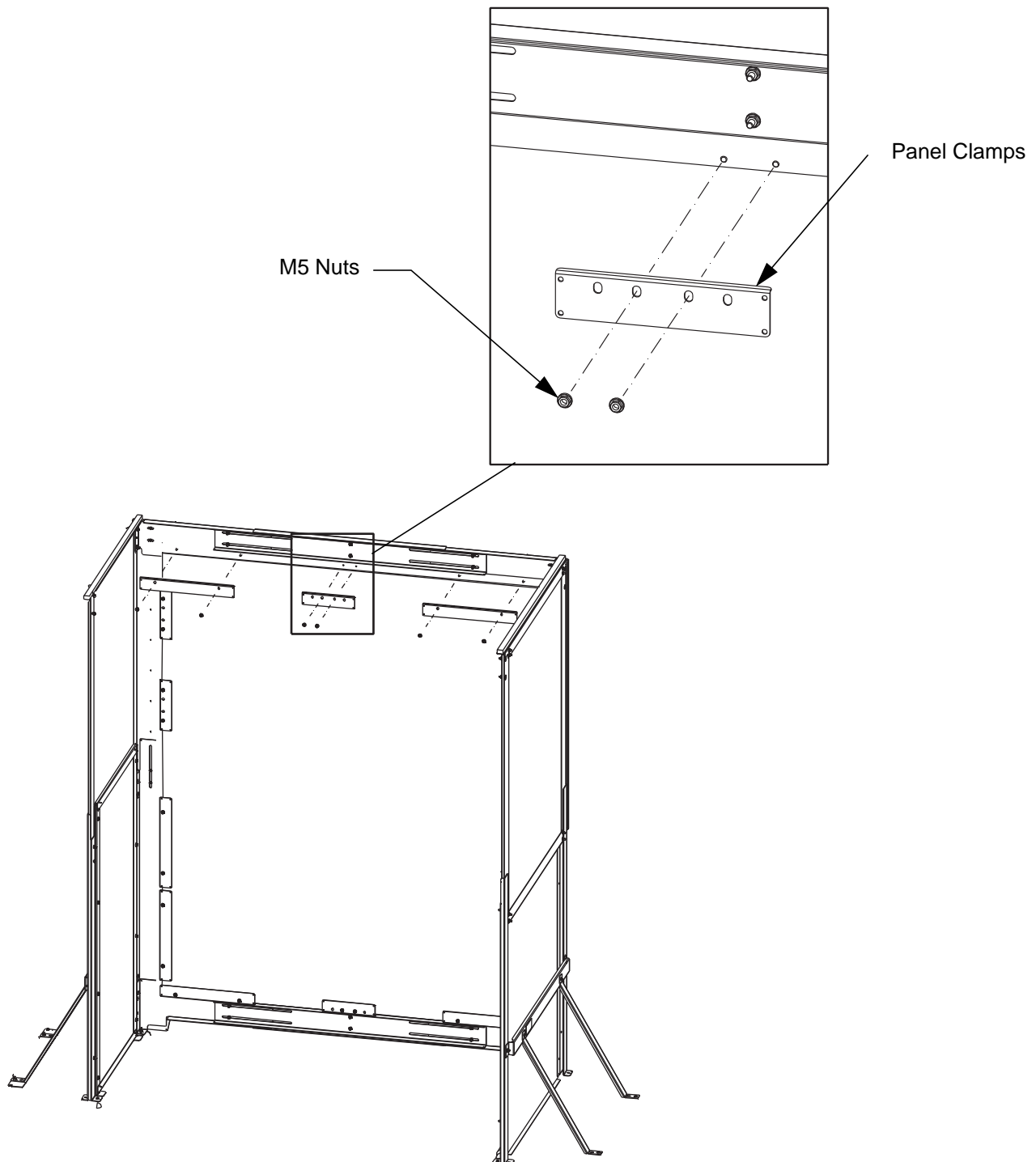
Insert Wall Panel

- Slide previously cut panel(s) into installed panel clamps to hold them in place.
- Note: For End of Row Adjustable Vertical Wall, 38" - 66" (C2HACERI3866) the H Channel will have to be secured to the center frame with (2) M5 hex nuts.



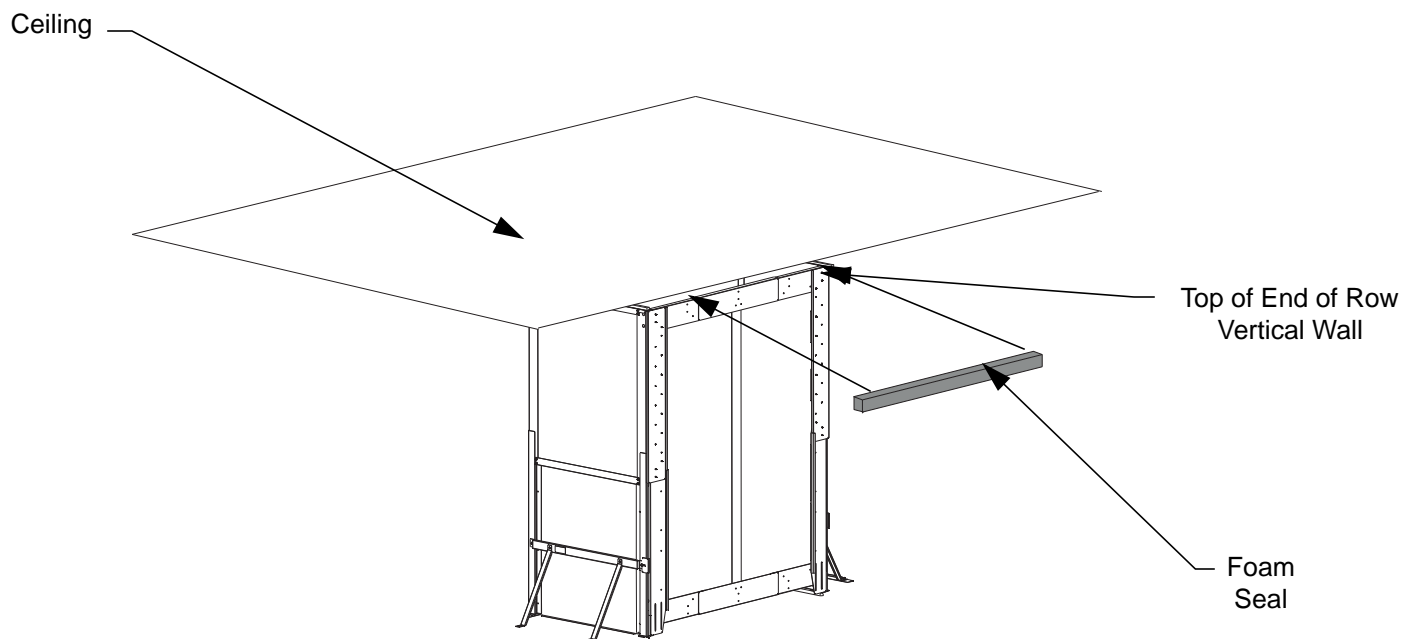
Attach Top and Remaining Side Wall Panel Clamps

- Attach remaining panel clamps across the top of the wall and along the side of wall with M5 nuts and M5 16mm hex head screws to secure wall panel(s) in place.
- Tighten all fasteners.
- NOTE: Center panel clamps are not used when using the H-Channel [End of Row Adjustable Vertical Wall, 38" - 66" (C2HACER13866) only].



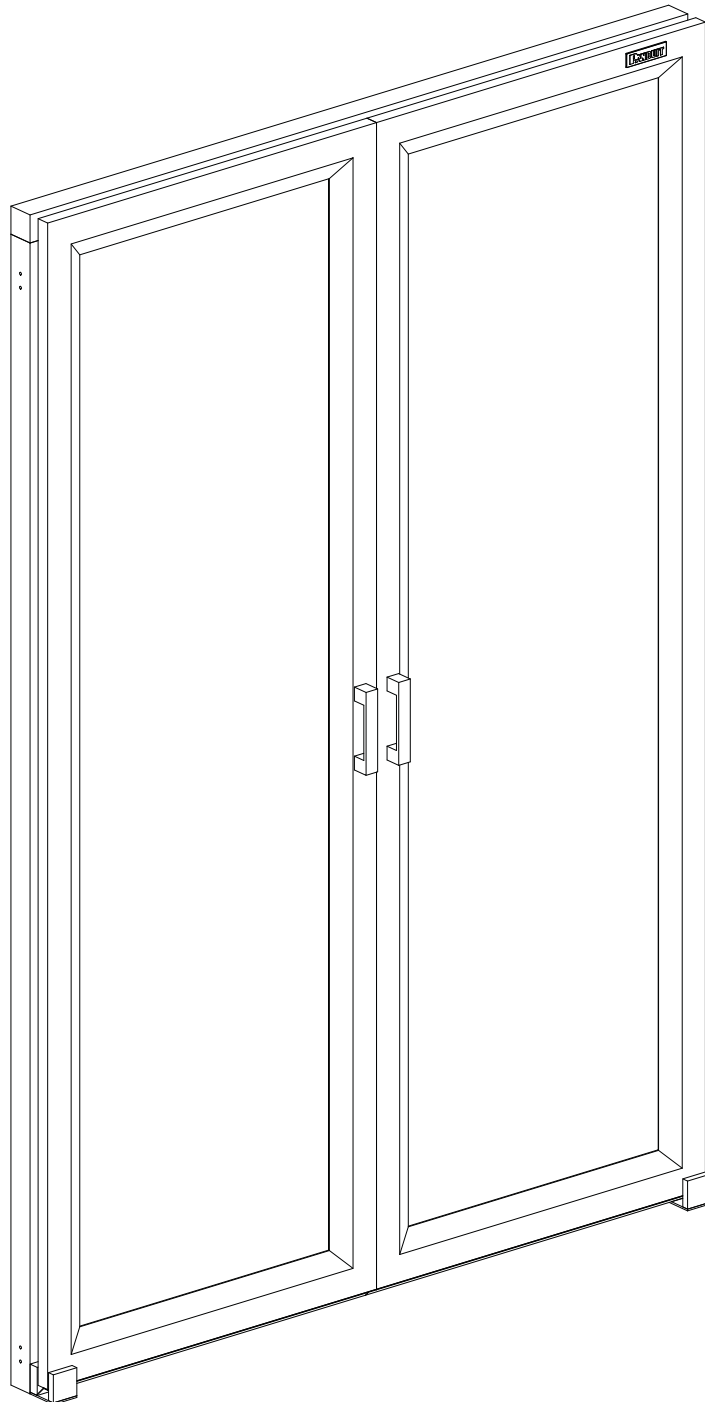
Foam Seal Installation

- Compress and insert (1) strip of foam seal in between the top of the end of row vertical wall and the ceiling closing any gaps.

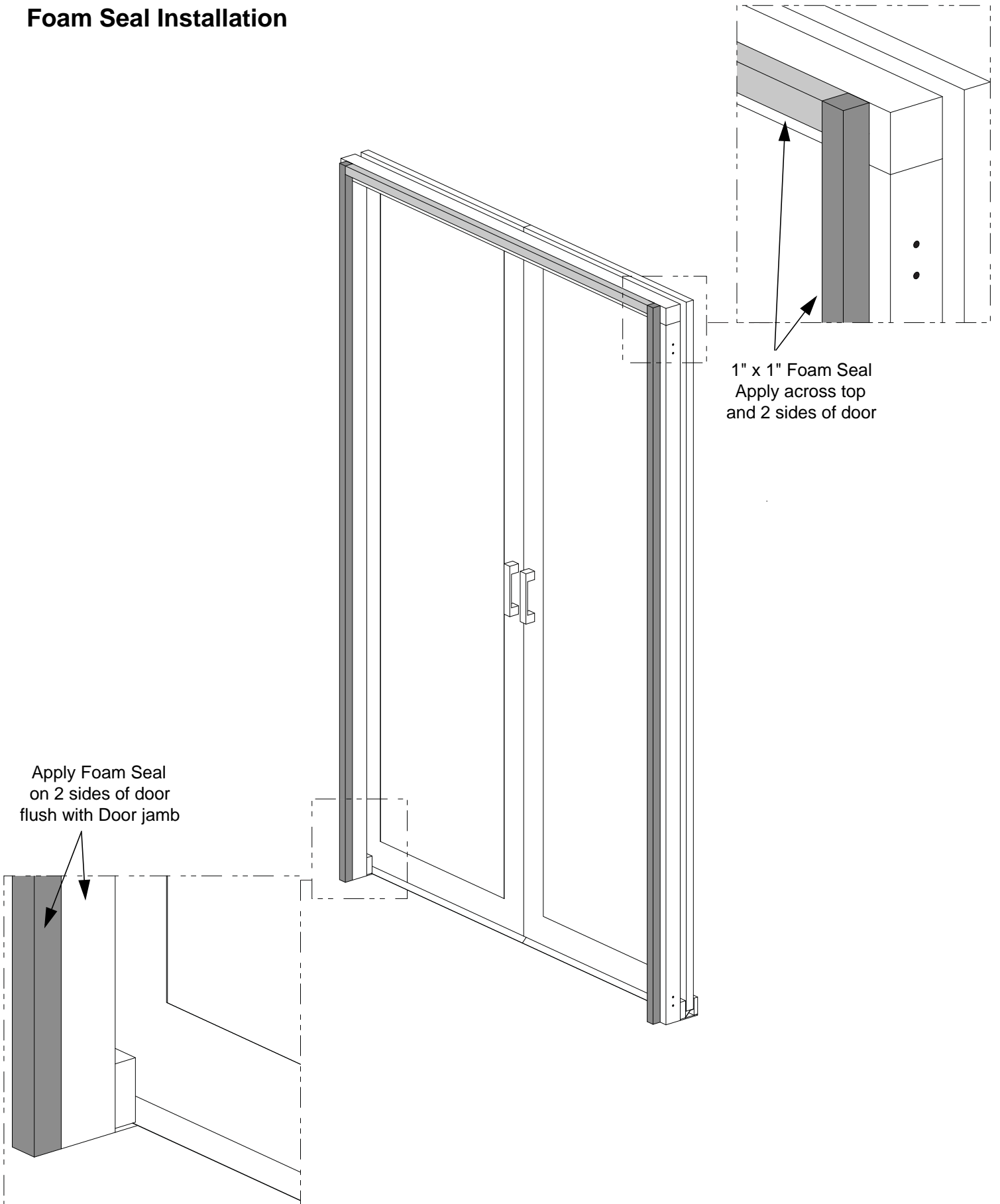


SECTION 6

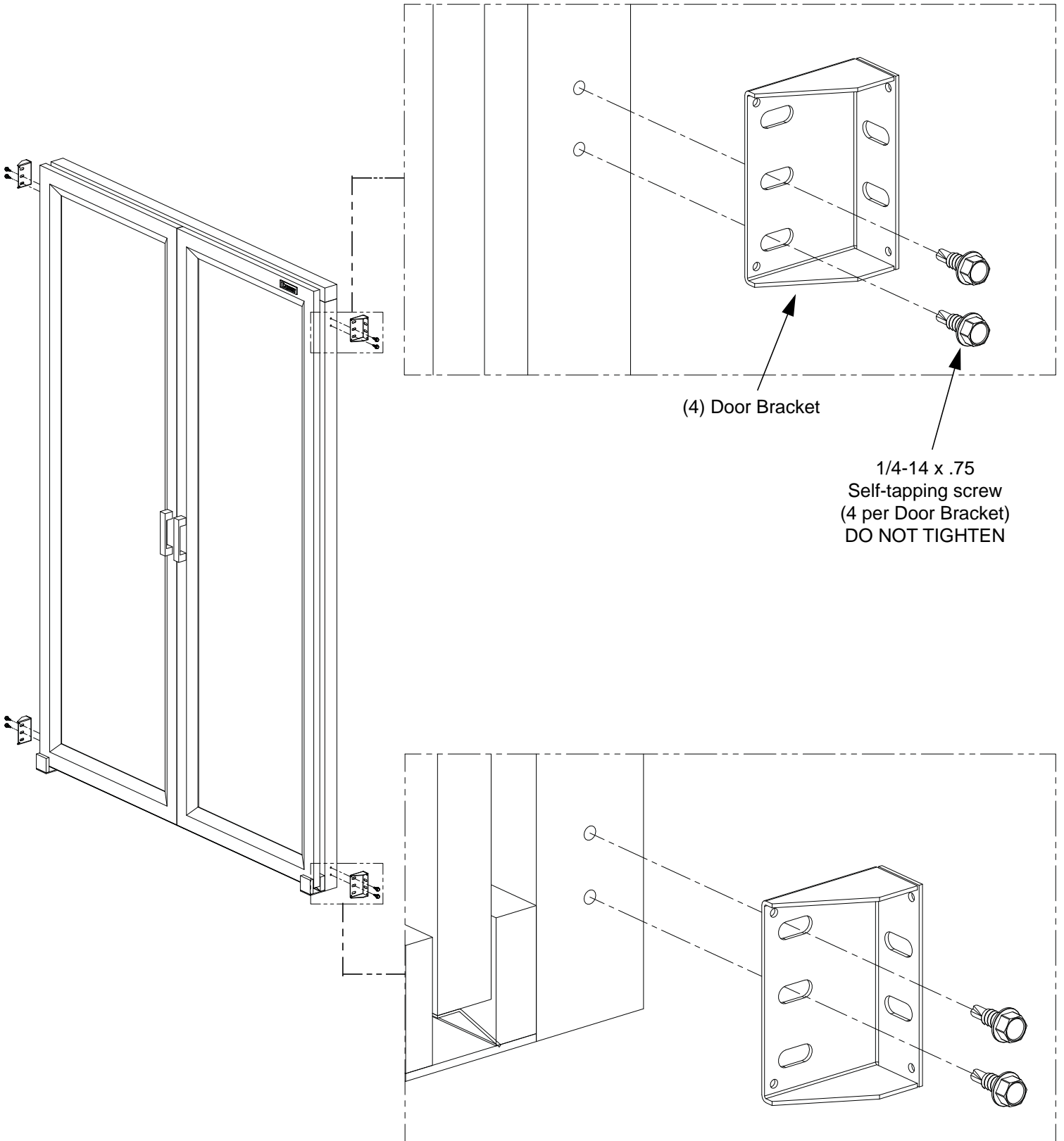
INSTALLATION OF DUAL SLIDING DOORS CUD*SD****



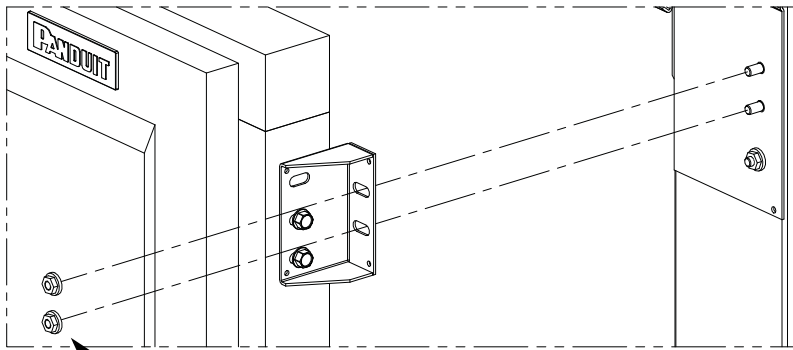
Foam Seal Installation



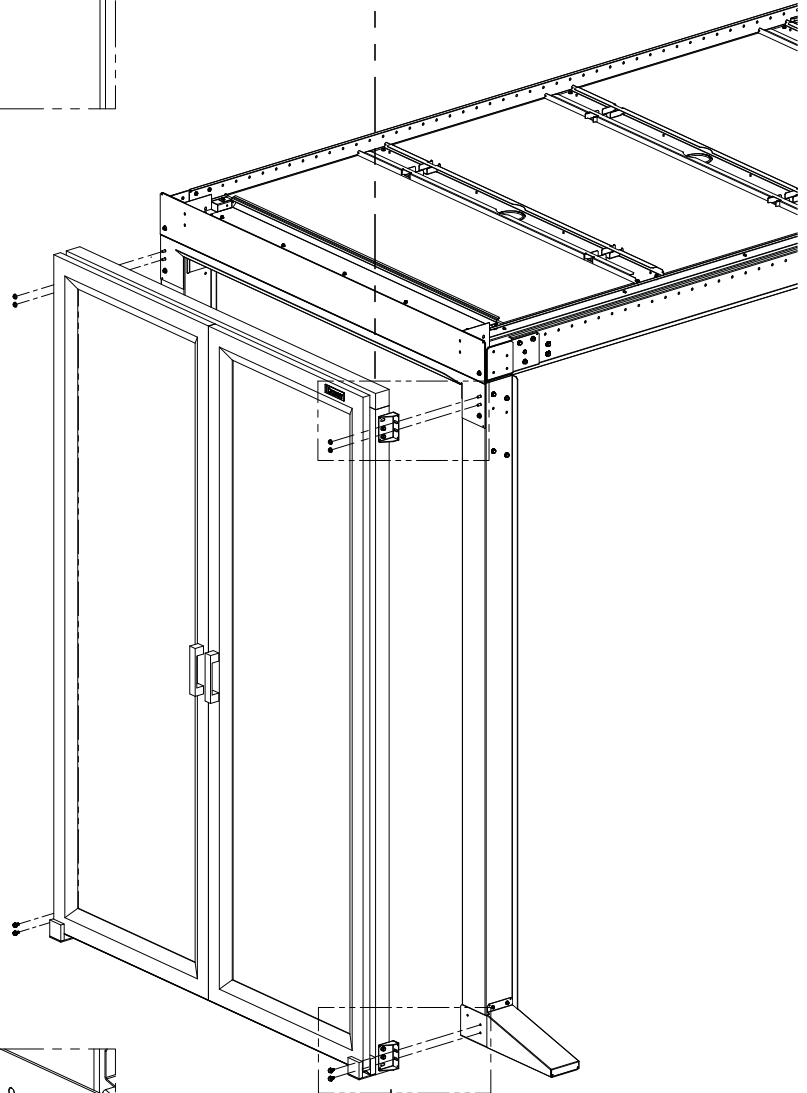
Install Door Brackets onto Door (Included with End of Row Frame)



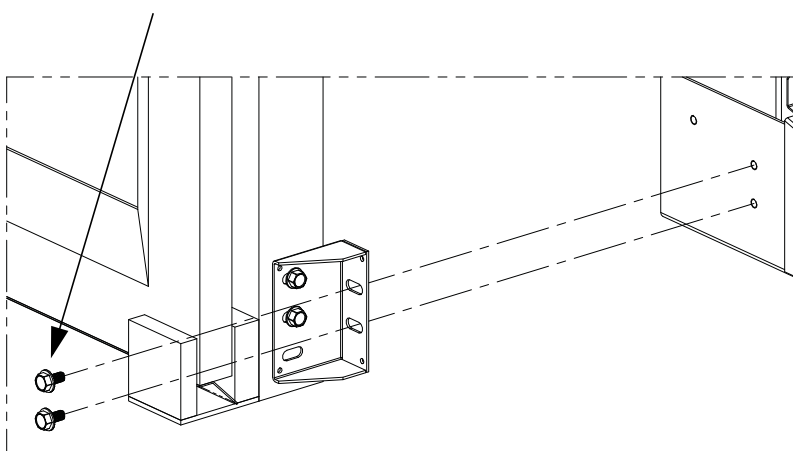
Install Doors to End of Row Frame



M6 Nuts
(2 per upper Door Bracket)
DO NOT TIGHTEN

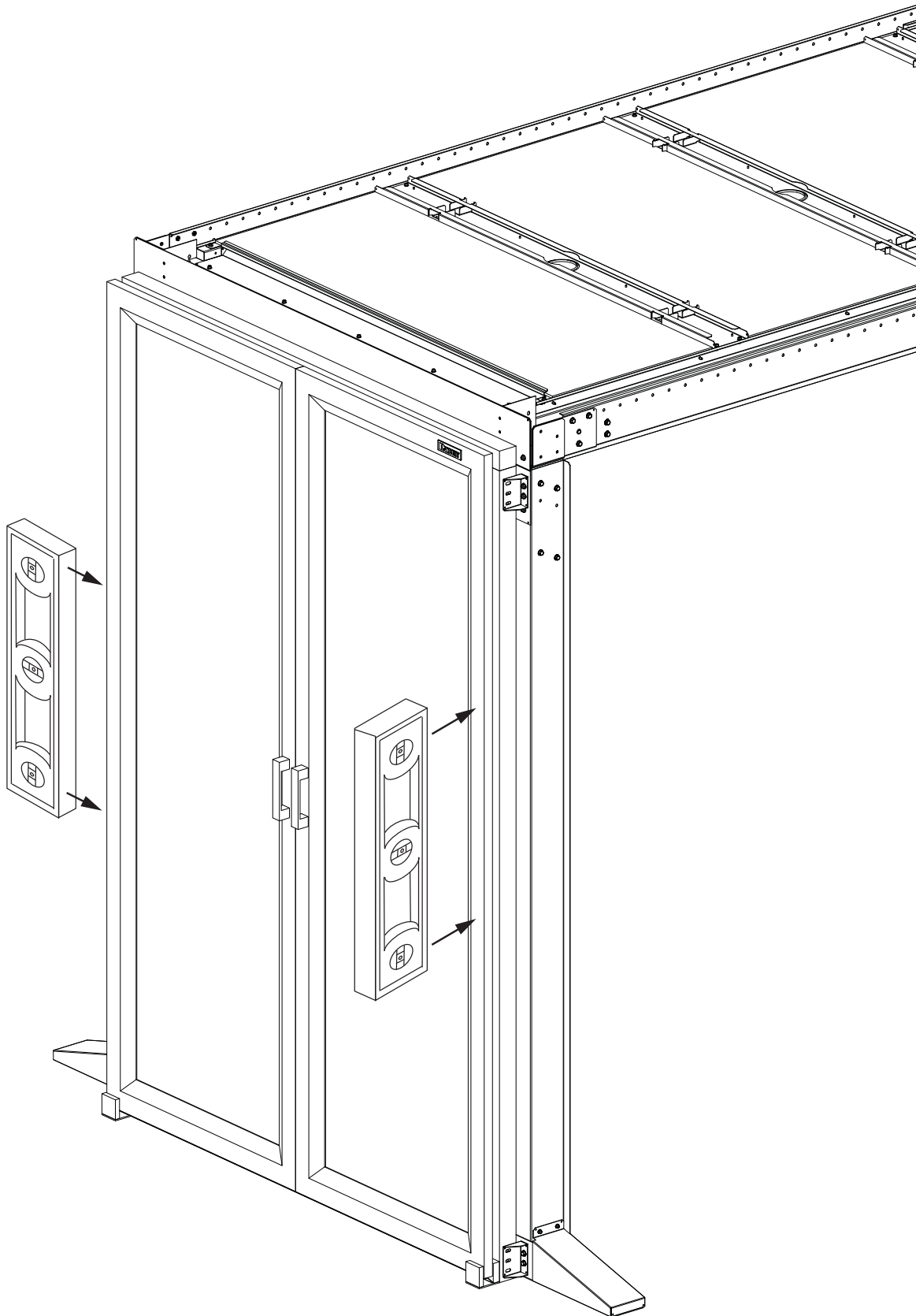


M6 x 12mm Hex Head Bolt
(2 per lower Door Bracket)
DO NOT TIGHTEN



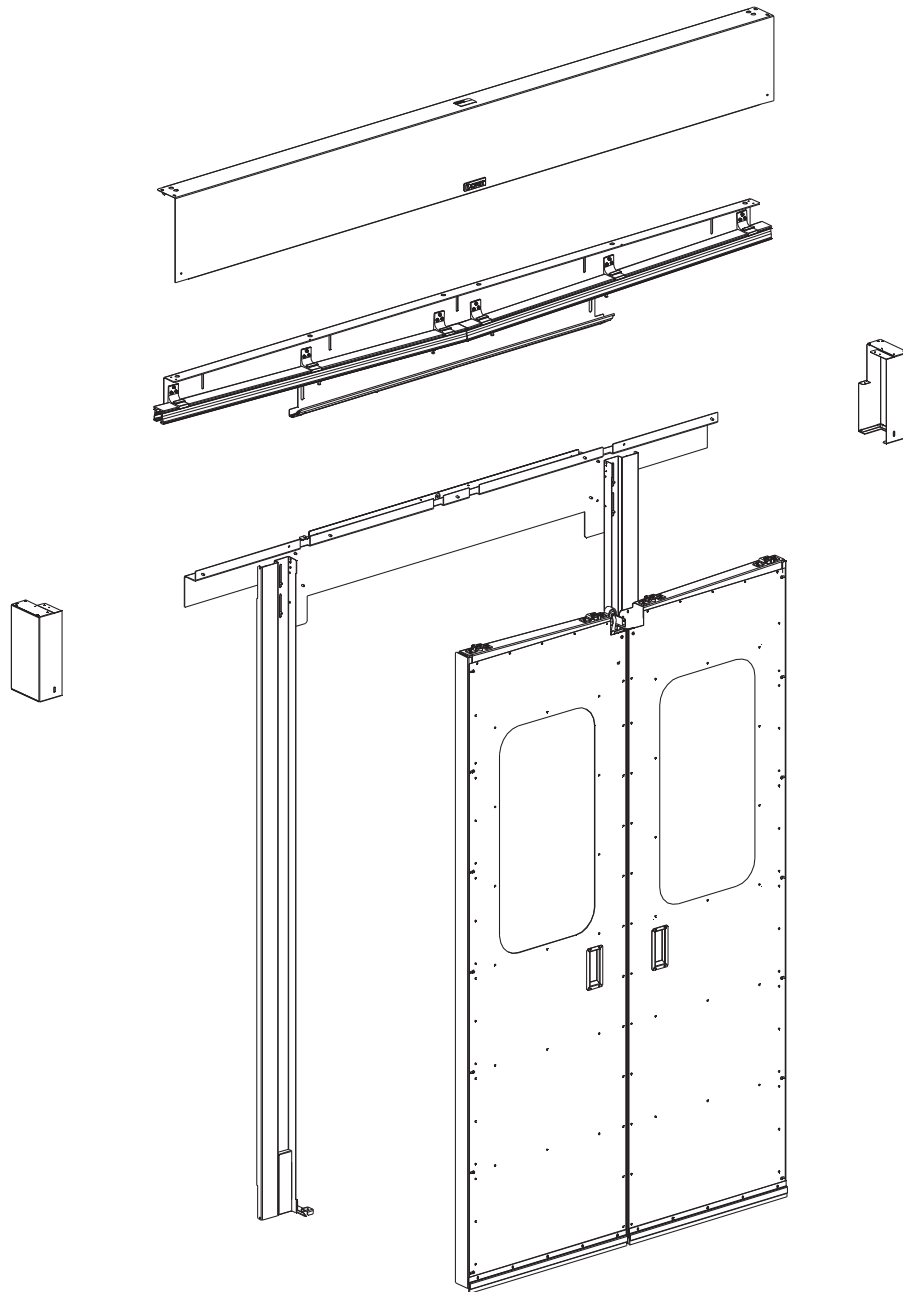
Level Doors

- Level the Doors from the **Side** and finish tightening (4) upper M6 Nuts and (4) lower M6 x 12mm Hex Head Bolts.
- Level the Doors from the **Front** and finish tightening (8) 1/4-14 x .75 self-tapping screws.



ALTERNATE SECTION 6

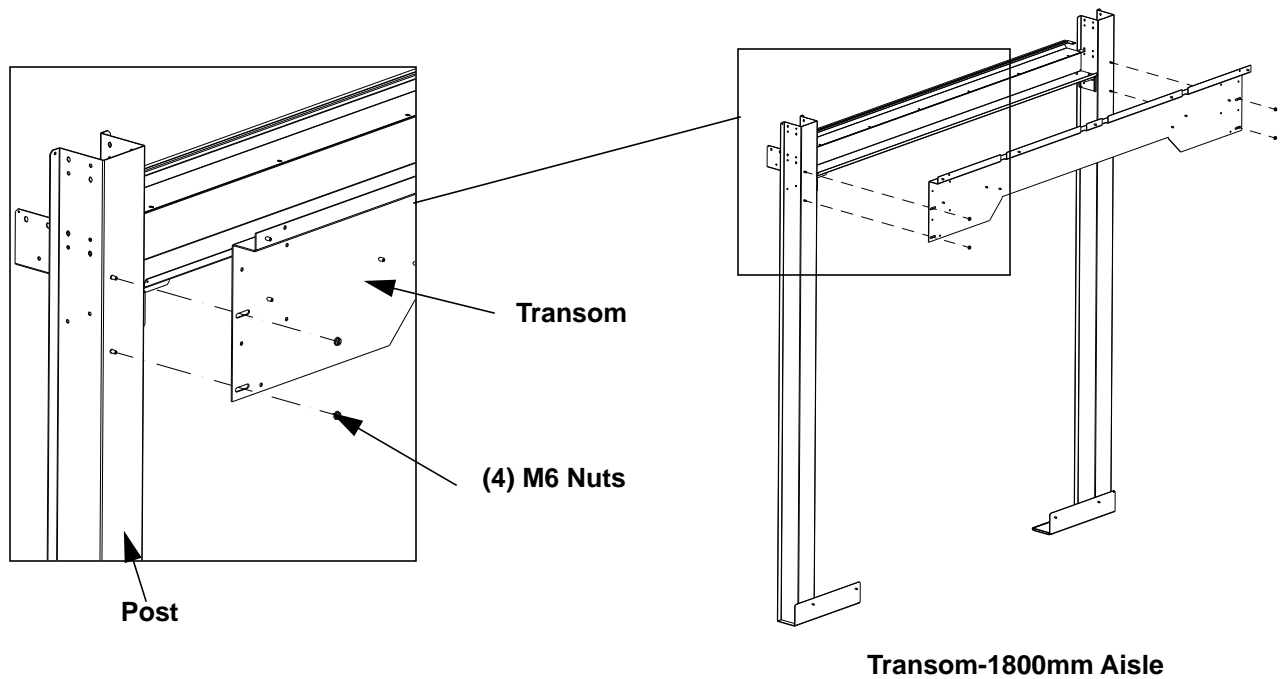
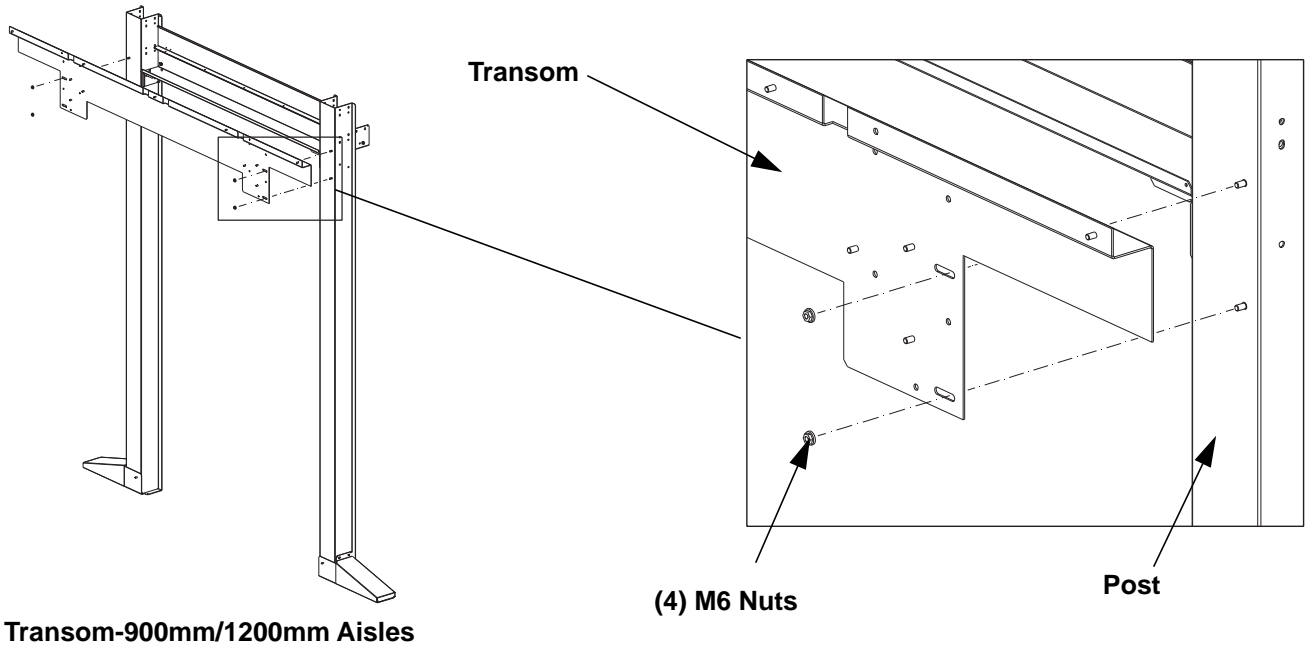
INSTALLATION OF SLIDING DOORS C2CACT5F04SD** AND C2CACT5F06SD**



**NOT ALL PARTS PROVIDED WITH
SLIDING DOORS WILL BE USED**

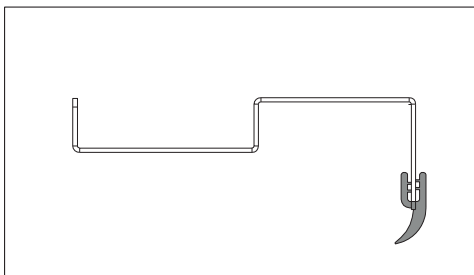
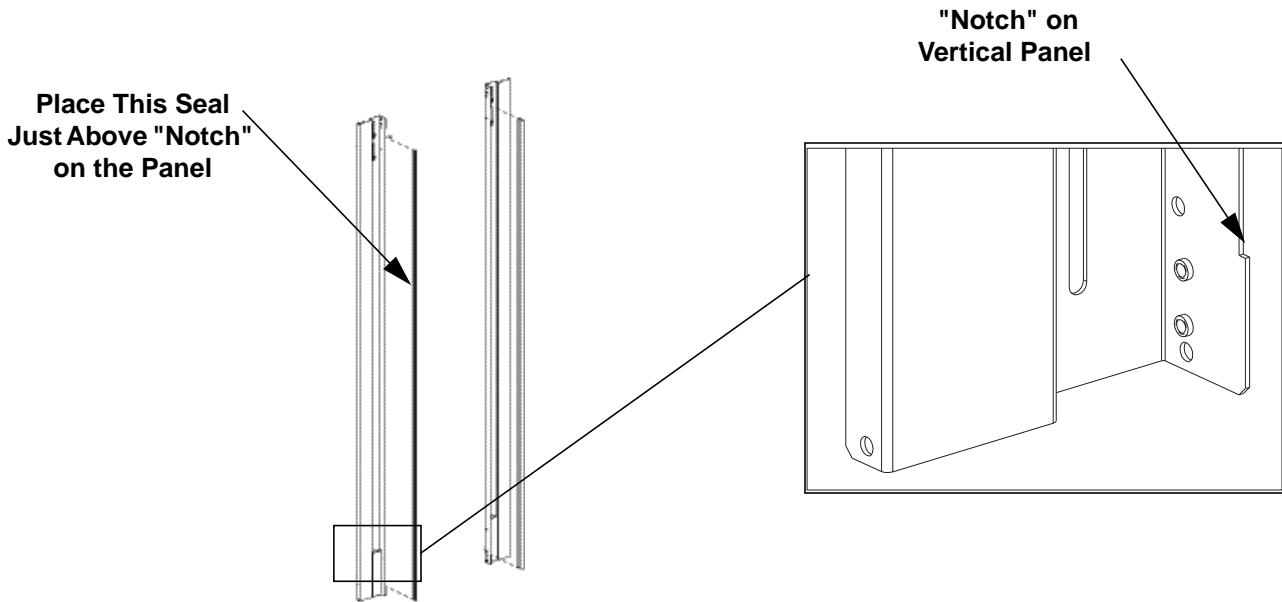
Attaching Transom

- Slide the transom onto the studs on the front of the left and right posts.
- Secure in place with (4) M6 Nuts.

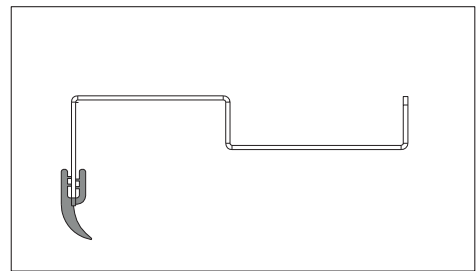


Flap Seal Installation

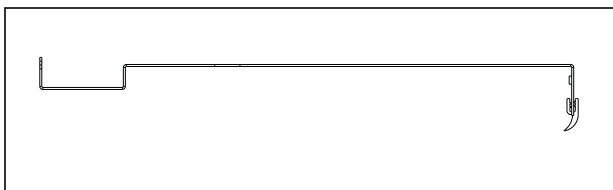
- Attach a strip of Flap Seal to inner flange of each Vertical Panel so that the bottom is just above the notch on the panel.
- **Note:** For the 900mm aisle, the flap seal needs to be installed after the vertical panels are put up.



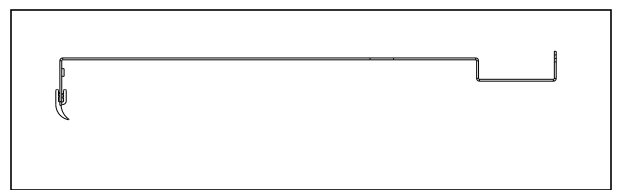
Top View of Left Hand Vertical Panel
900mm/1200mm Aisle



Top View of Right Hand Vertical Panel
900mm/1200mm Aisle



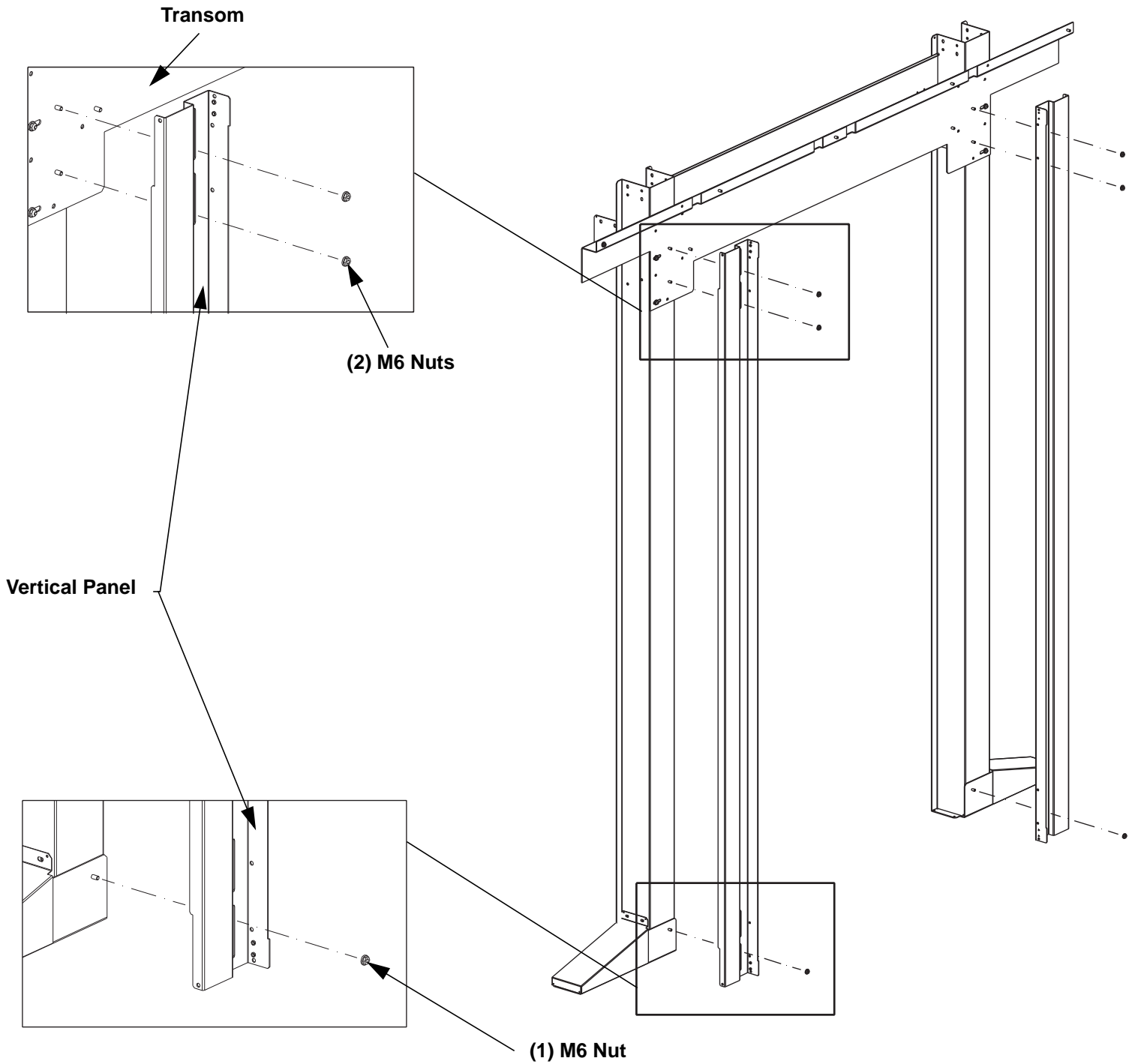
Top View of Left Hand Vertical Panel
1800mm Aisle



Top View of Right Hand Vertical Panel
1800mm Aisle

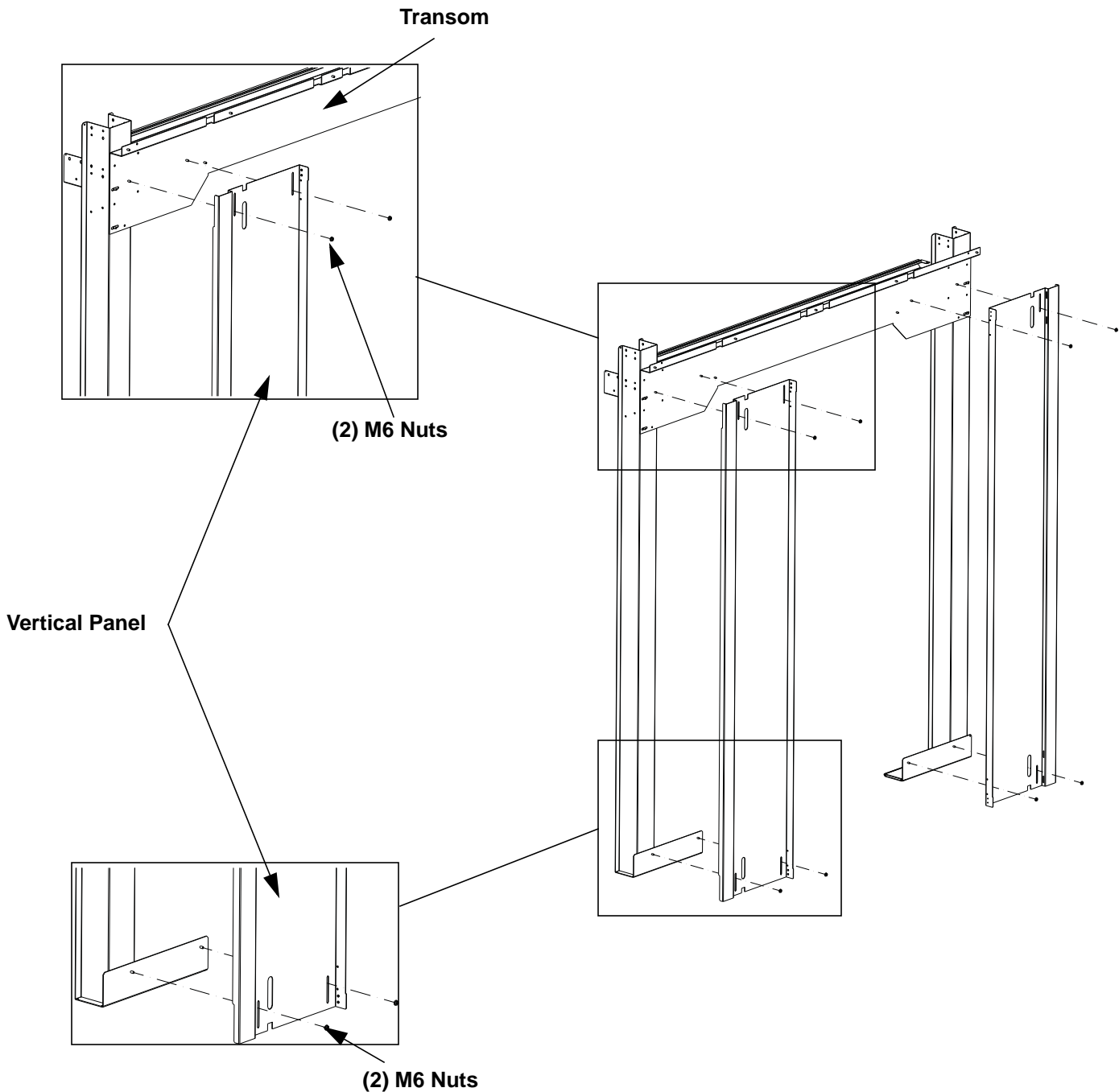
Attaching Vertical Panel (for 900mm/1200mm Aisles)

- Slide the vertical panel over the (2) studs on the transom and the (1) stud on the bottom of the vertical post.
- Fasten in place with (3) M6 nuts.
- Repeat process for right side.



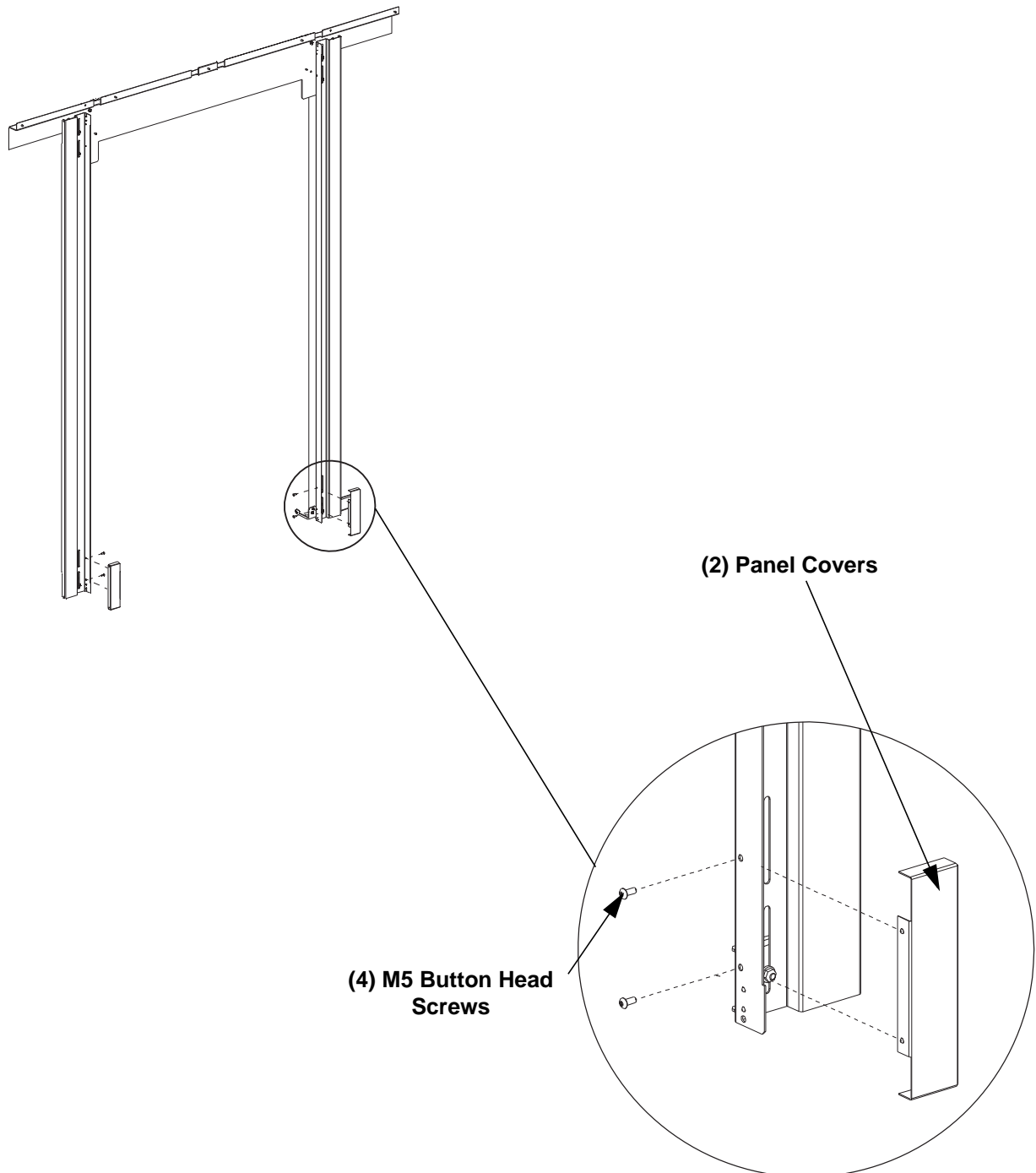
Attaching Vertical Panel (for 1800mm Aisles Only)

- Slide the vertical panel over the (2) studs on the transom and the (2) studs on the bottom of the vertical post.
- Fasten in place with (4) M6 nuts.
- Repeat process for right side.



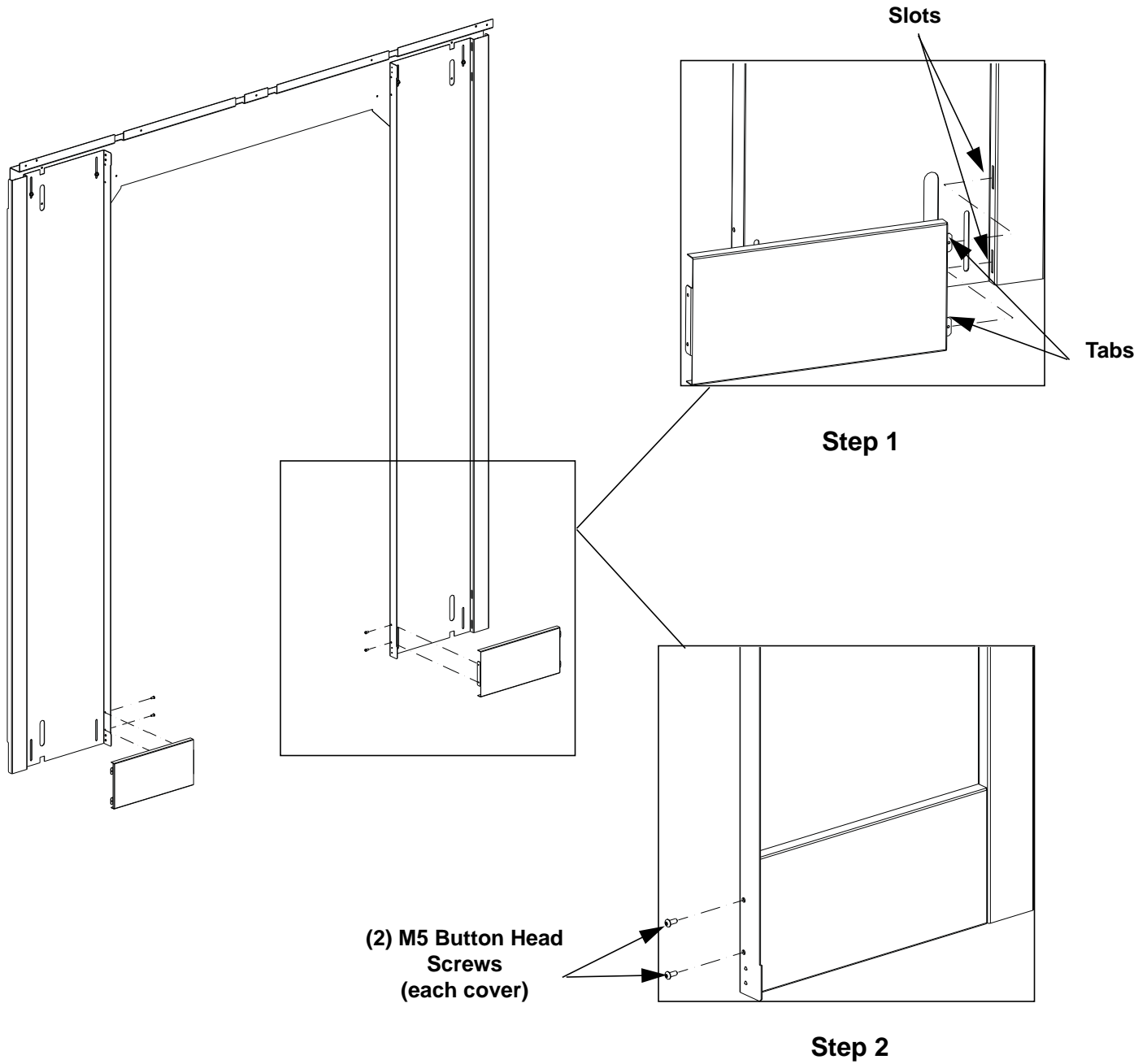
Panel Cover Installation (for 900mm/1200mm Aisles)

- Attach (1) Panel Cover to each Vertical Panel with (2) M5 button head screws each.
- **Note:** For the 900mm aisle, these screws also go through the clearance holes in the side panels that were installed with the end-of-row frame.



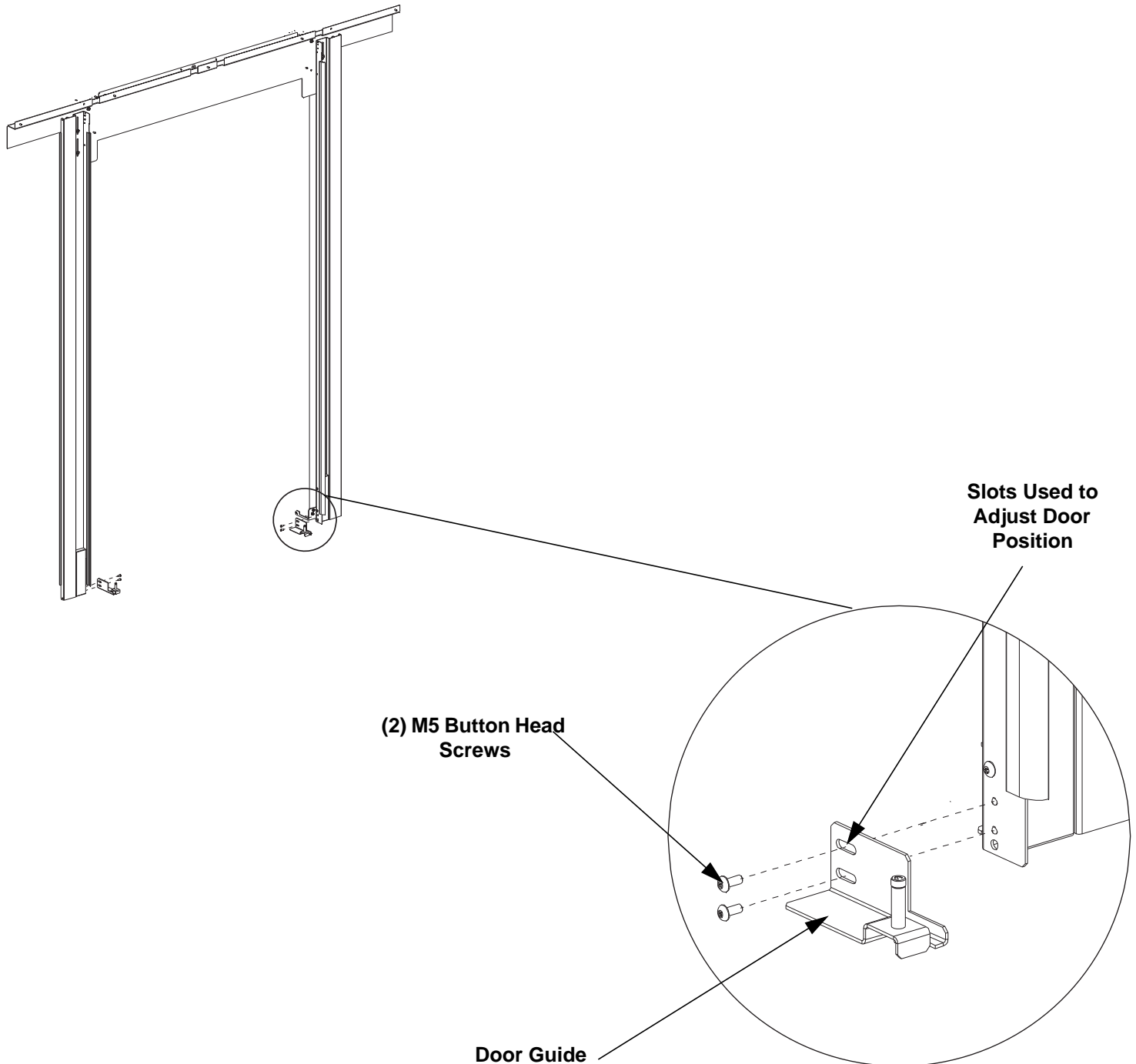
Panel Cover Installation (for 1800mm Aisles)

- First, place (2) tabs on each panel cover through (2) slots in each vertical panel as shown in Step 1.
- Attach (1) Panel Cover to each Vertical Panel with (2) M5 button head screws each as shown in Step 2.



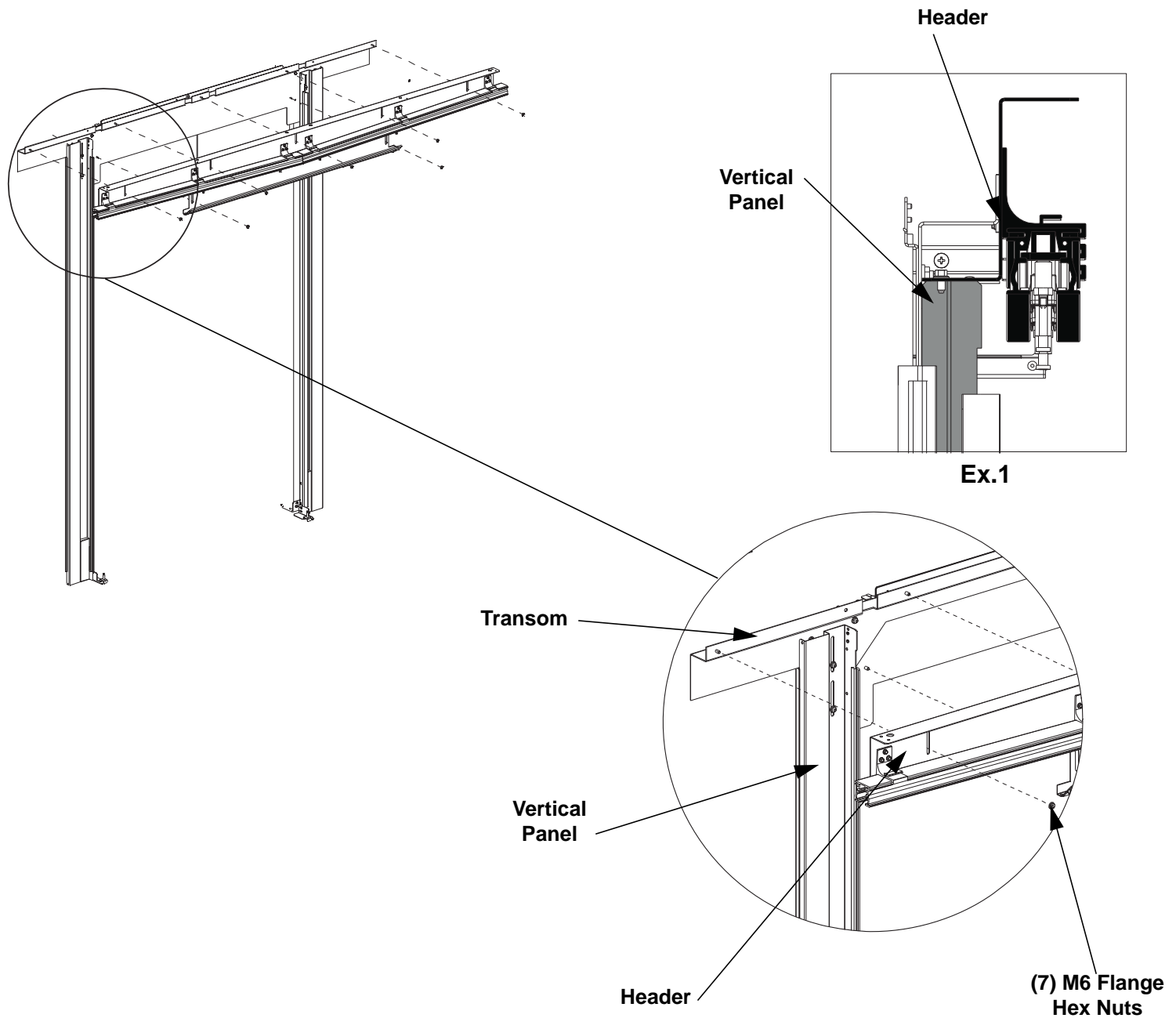
Attaching Door Guides

- Attach right hand Door Guide to right hand Vertical Panels with (2) M5 button head screws. (Leave Screws Loose)
- Repeat process for left hand side.



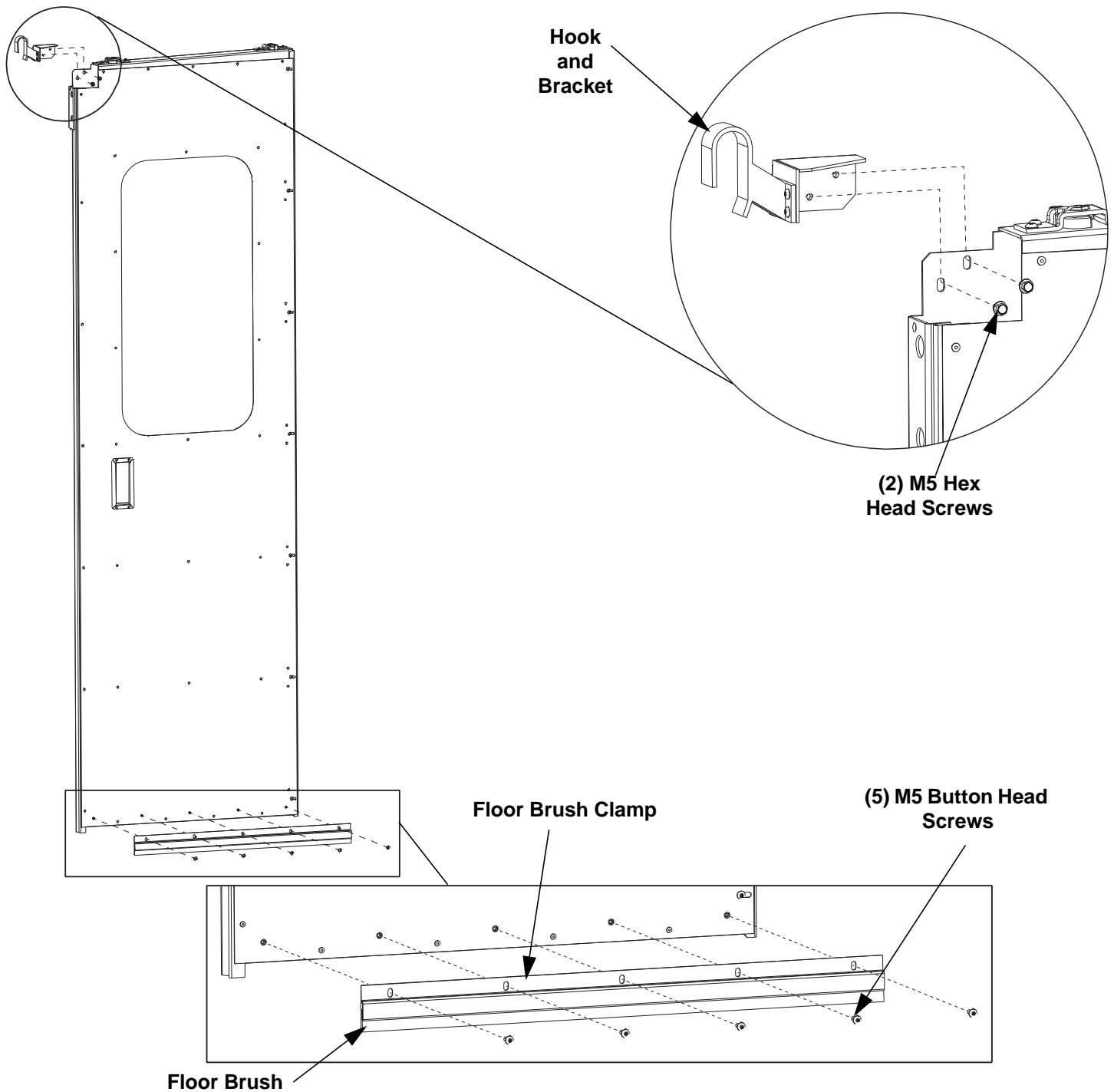
Header Installation

- Slide Header onto (7) studs on Transom Assembly.
- Slide Header down until it rests on top of the Vertical Panels. (Ex.1)
- Secure Header to Transom Assembly with (7) M6 flange hex nuts.



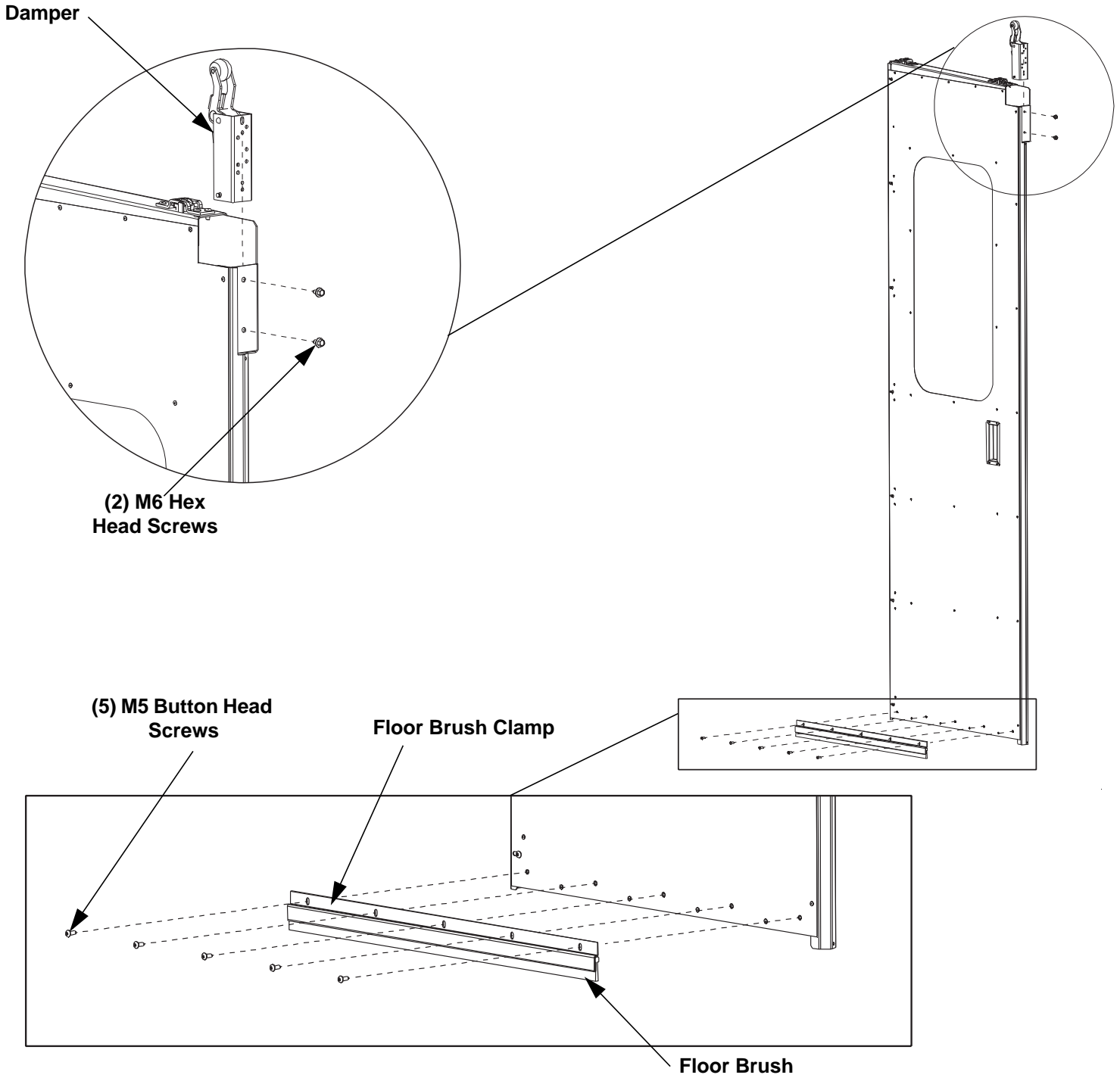
Right Hand Sliding Door Set-Up

- Attach Hook and Bracket to right hand door using (2) M5 hex head screws.
- Attach Floor Brush and Floor Brush Clamp to right hand door with (5) M5 button head screws.



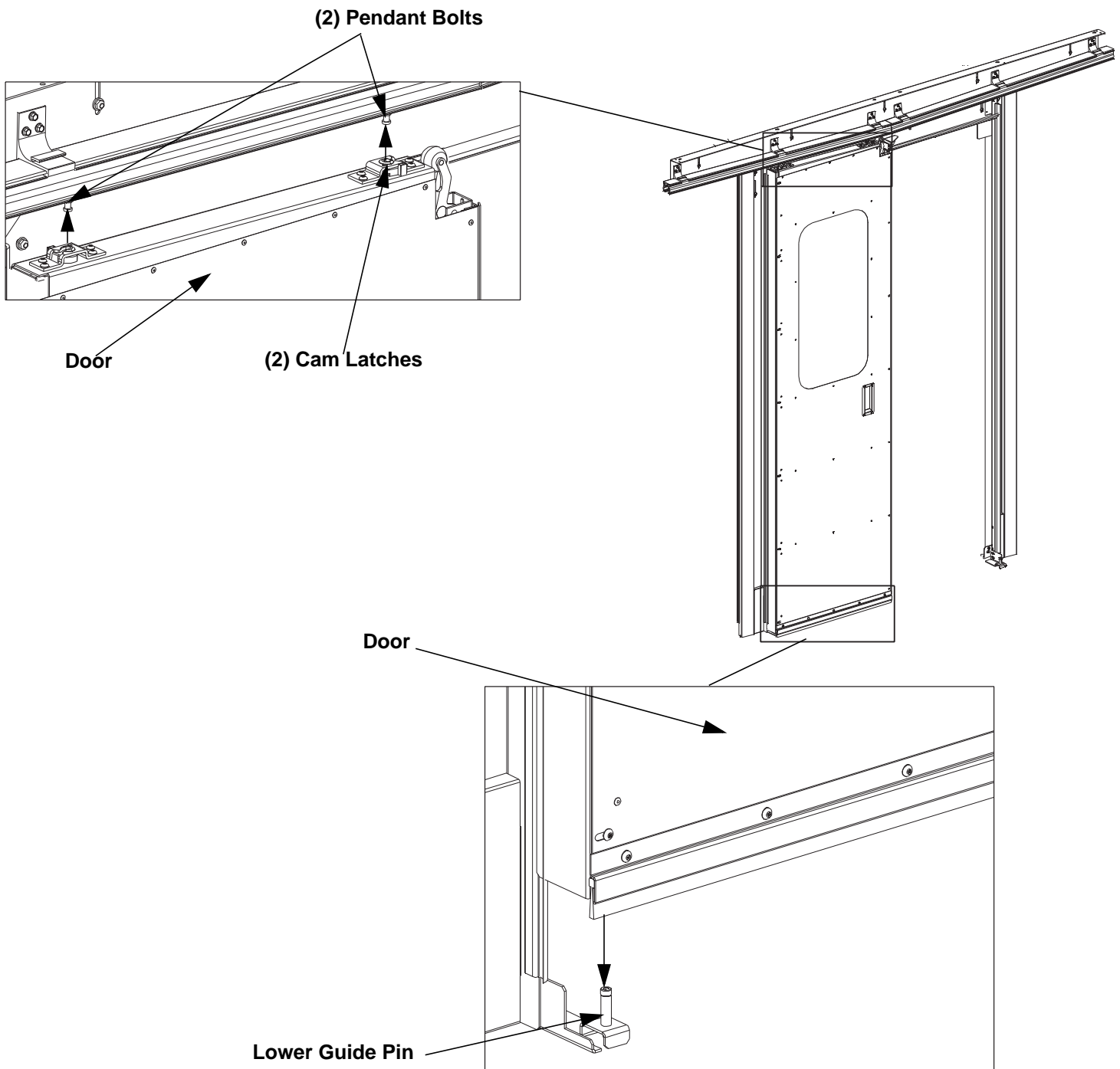
Left Hand Sliding Door Set-Up

- Attach Damper to left hand door with (2) M6 hex head screws.
- Attach Floor Brush and Floor Brush Clamp to left hand door with (5) M5 button head screws.



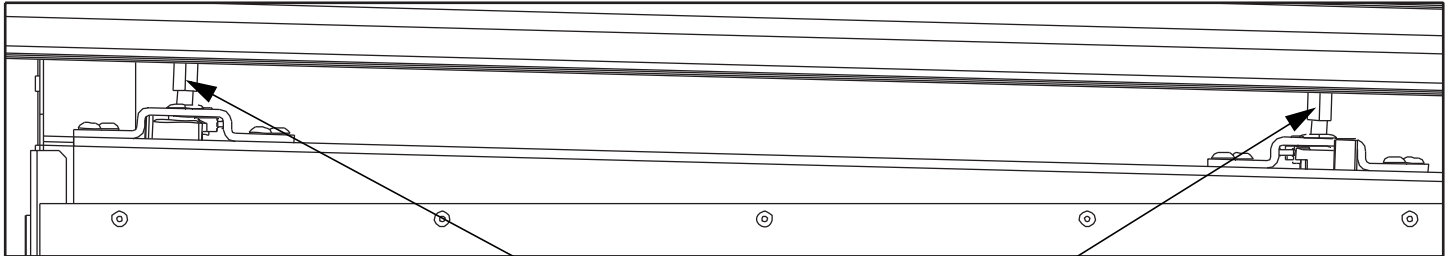
Sliding Door Installation

- Open Cam Latches on top of doors.
- Lift door and place over the Lower Guide Pin.
- Slide Pendant Bolts on Header into Cam Latches on door.
- Close Cam Latches.
- Repeat for other door.

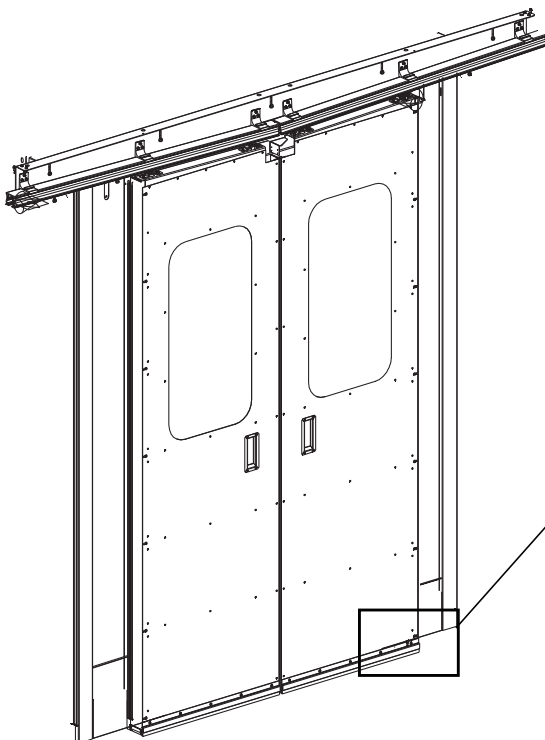


Adjusting Sliding Door Height

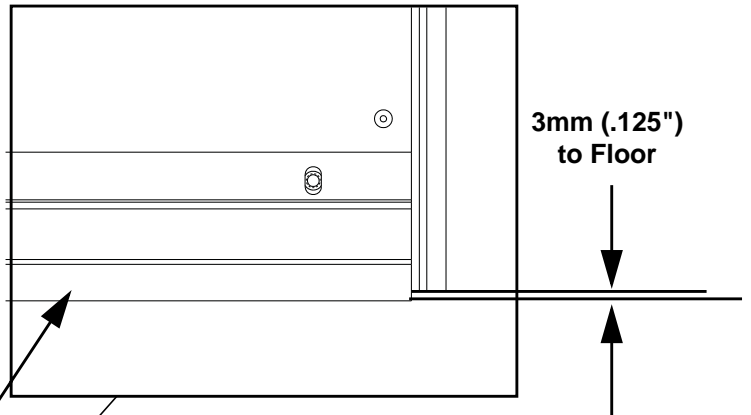
- Using a wrench rotate the Pendant Bolts on Transom holding door to raise or lower doors.
- Adjust Floor Brushes so that they are resting on the floor (when both doors are closed).



(2) Pendant Bolts



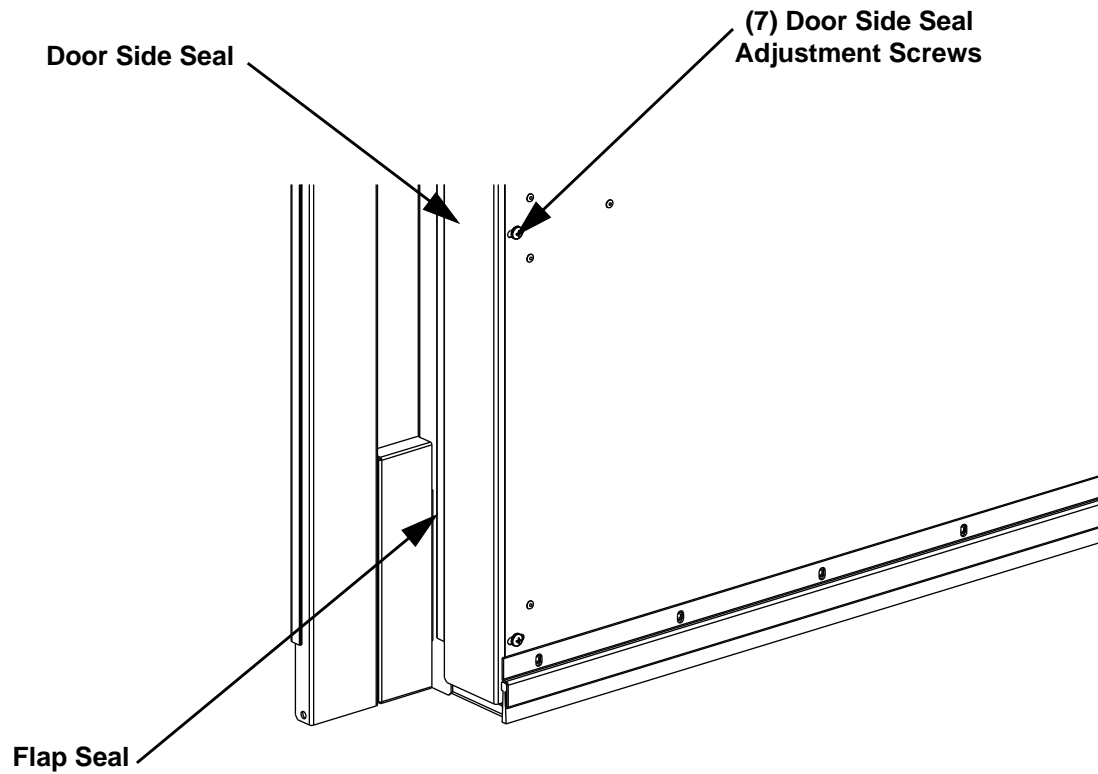
Floor Brush



3mm (.125")
to Floor

Adjusting Door Seals

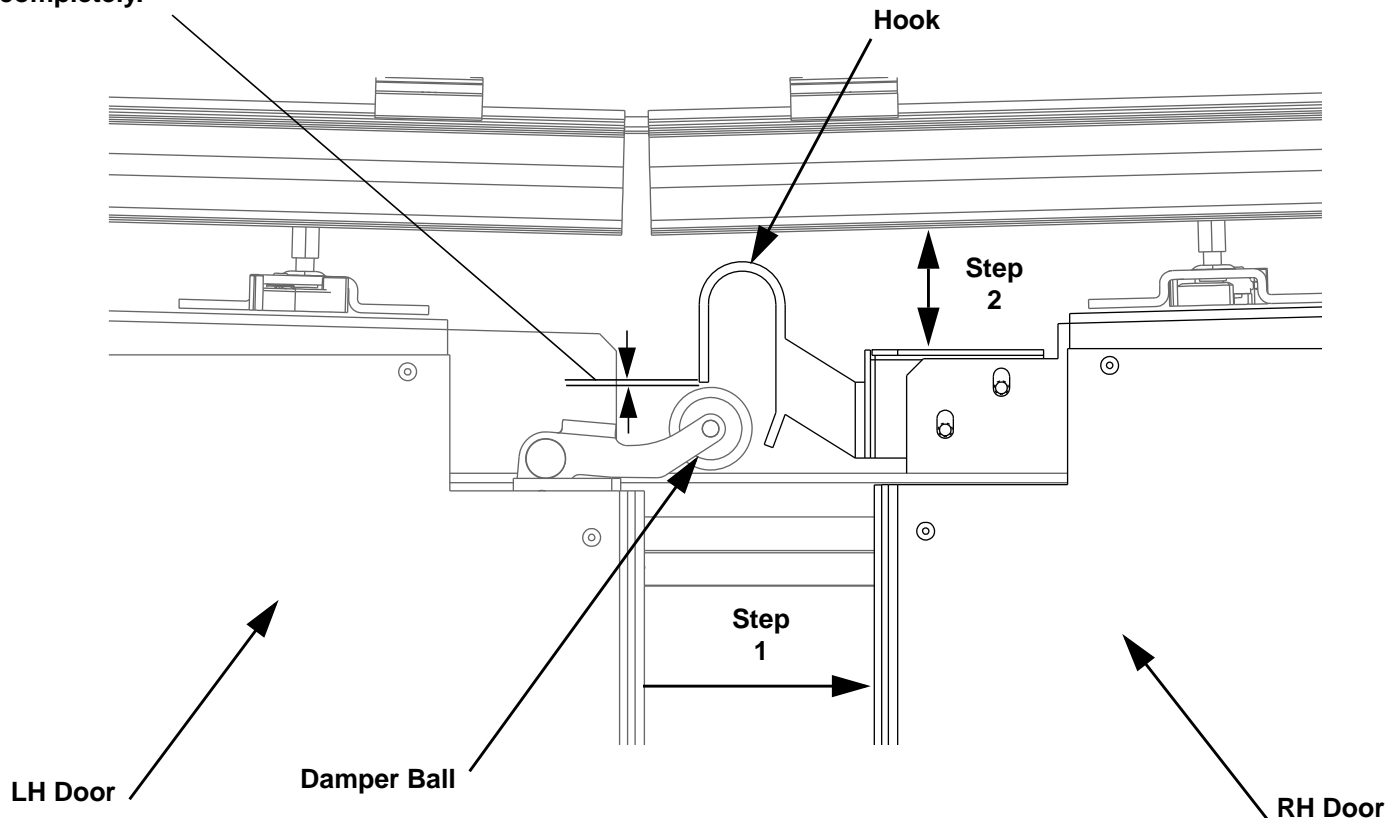
- Adjust left hand and right hand door side seals to achieve a good seal between the door and the Flap Seal.
- Adjust door guides to align bottom of the right hand and left hand doors. Tighten Screws. (Ref. Page 41)



Adjusting Door Damper

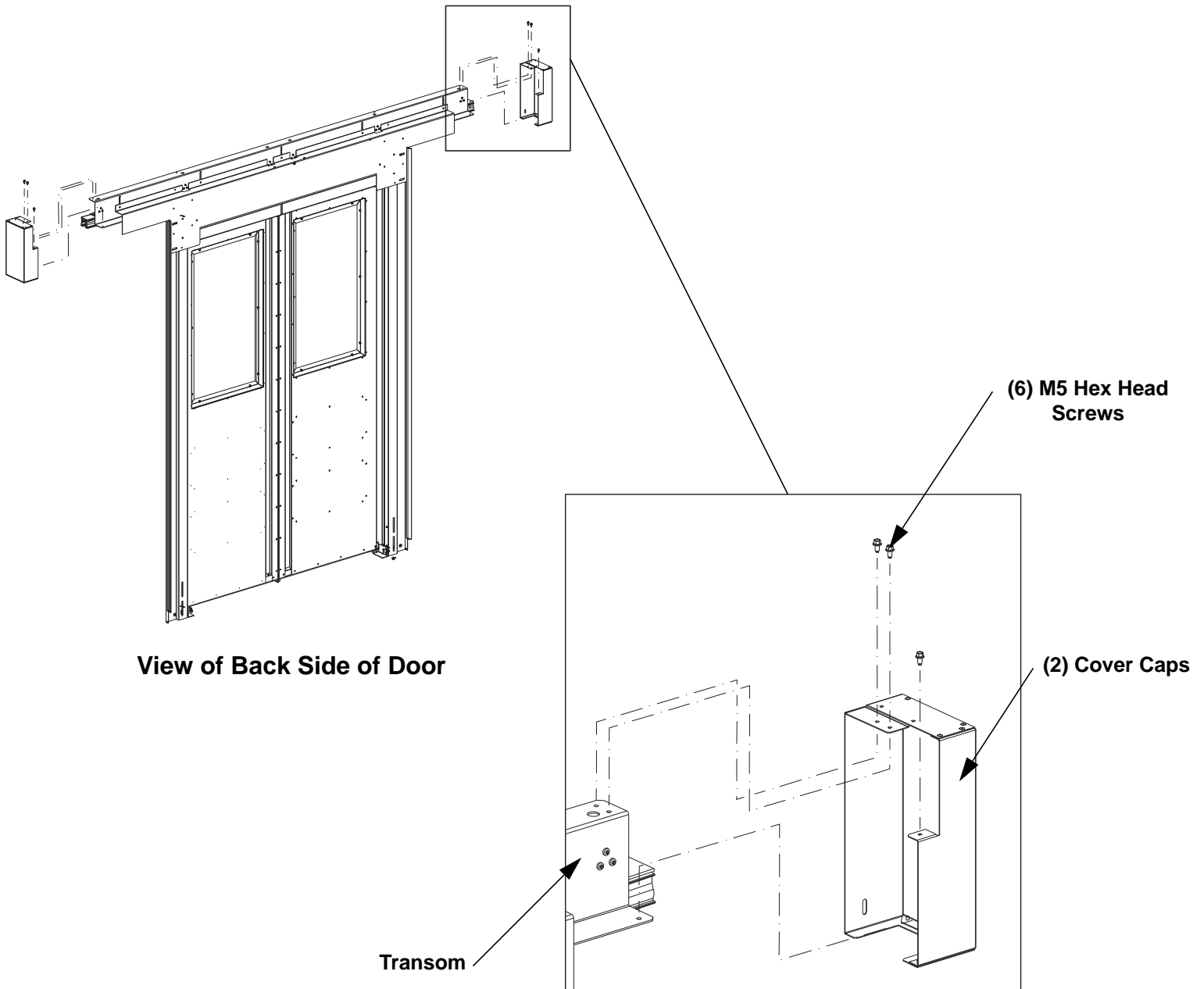
1. Slightly open door
2. Adjust Hook and Bracket so the Damper Ball can barely pass beneath the Hook and tighten screws.
3. Open the RH Door and allow it to close. Check for proper damper operation.
4. Open the LH Door and allow it to close. Check for proper damper operation.
5. Open both doors simultaneously and allow both to close together. Check for proper damper operation.
6. If required, re-adjust hook position.

Note: Having too much space between left side damper arm and right side damper hook damper may cause right side damper arm to lift up before door closes causing the door to not close completely.



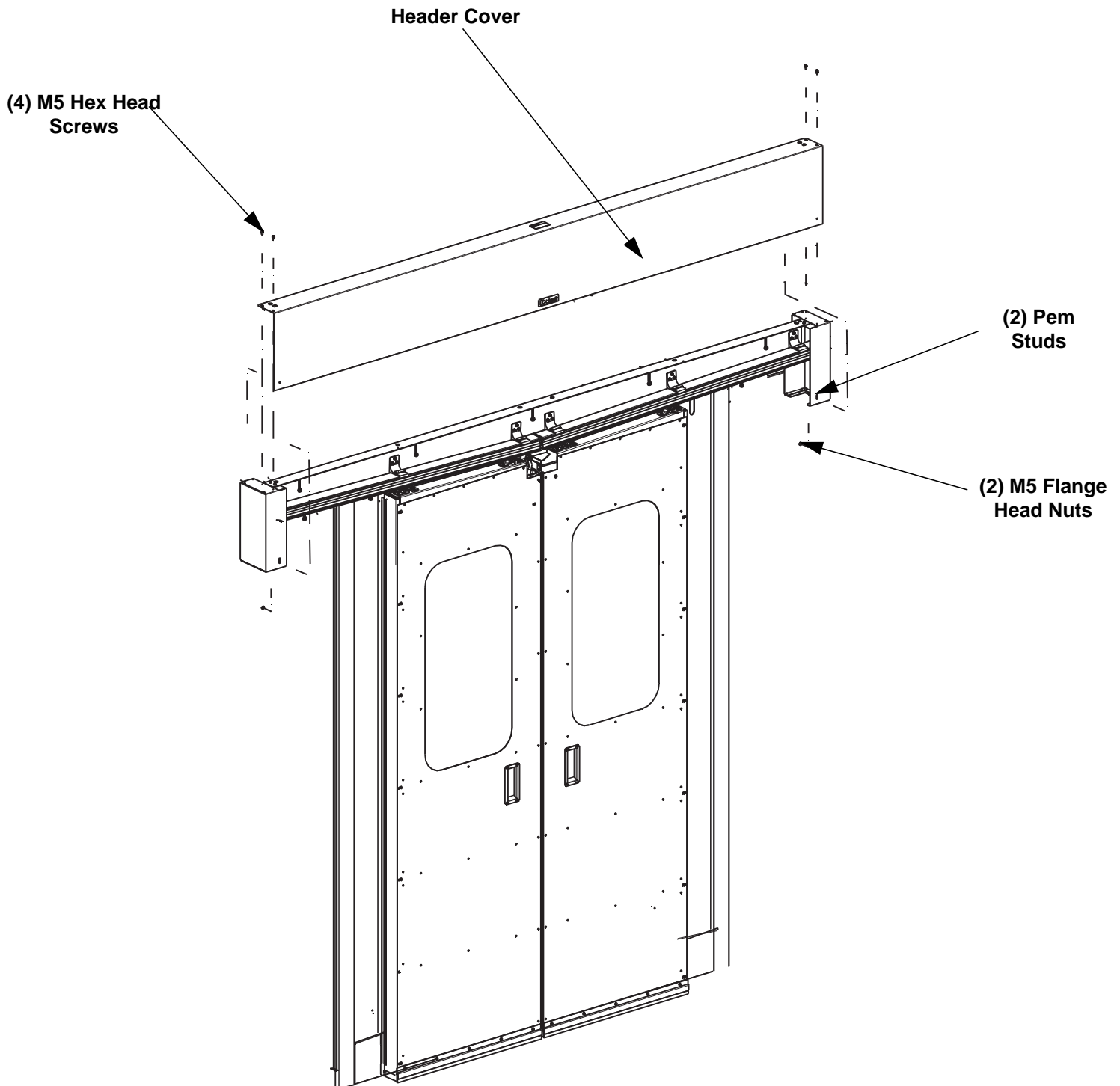
Attaching Cover Caps

- Attach (2) Cover Caps to Transom with (6) M5 hex head screws.
- Note: Cover caps for left cabinet and right cabinet are a mirror image of each other.



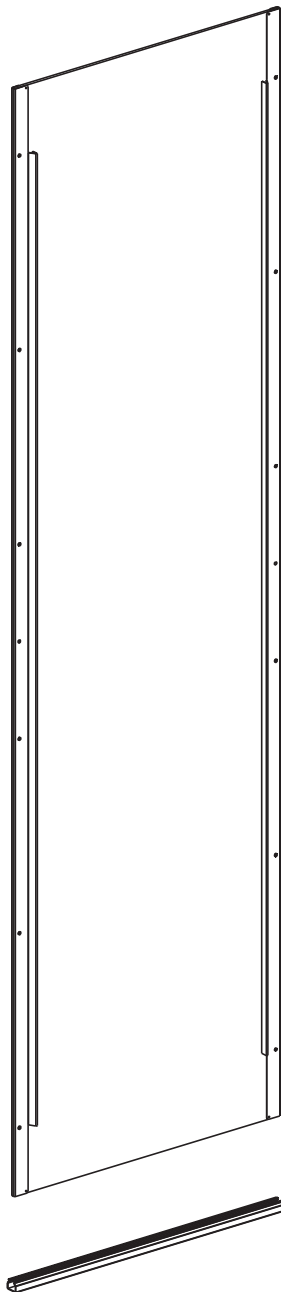
Header Cover Installation

- Slide Header over top of Transom and End Caps.
- Slide Pem Studs on inside front of header into holes in End Caps.
- Secure Header to End Caps with (4) M5 hex head screws and (2) M5 flange head nuts.



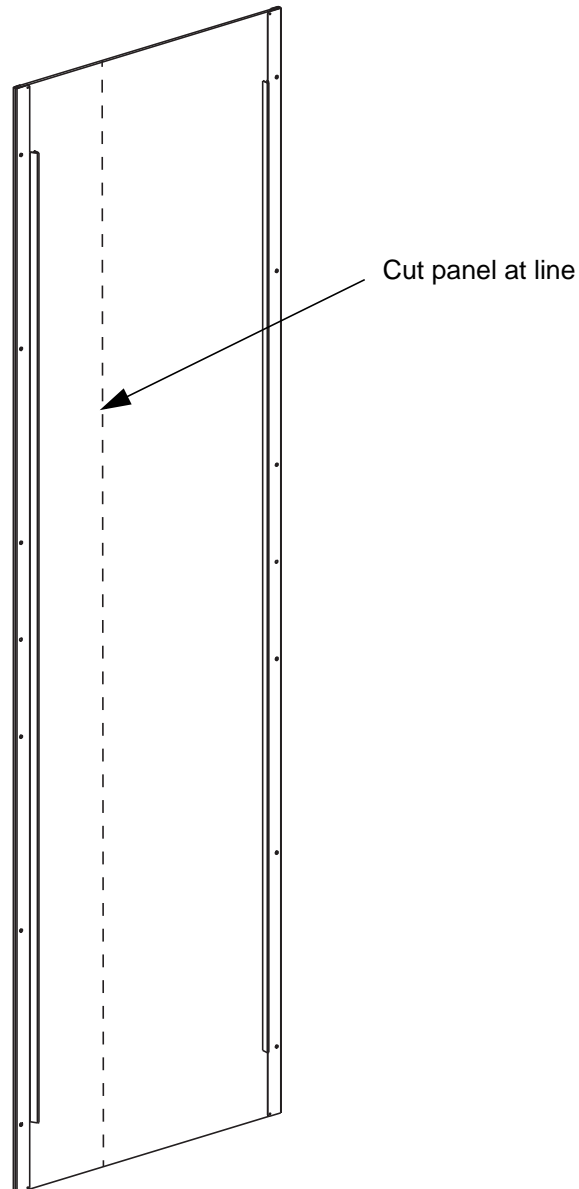
SECTION 7

**INSTALLATION OF BLANKING PANELS
CUFBPR4206HB**, CUFBPR4506HB**,
CUFBPR4806HB**, CUFBPR5206HB**, CUTBPR0610HBN1**



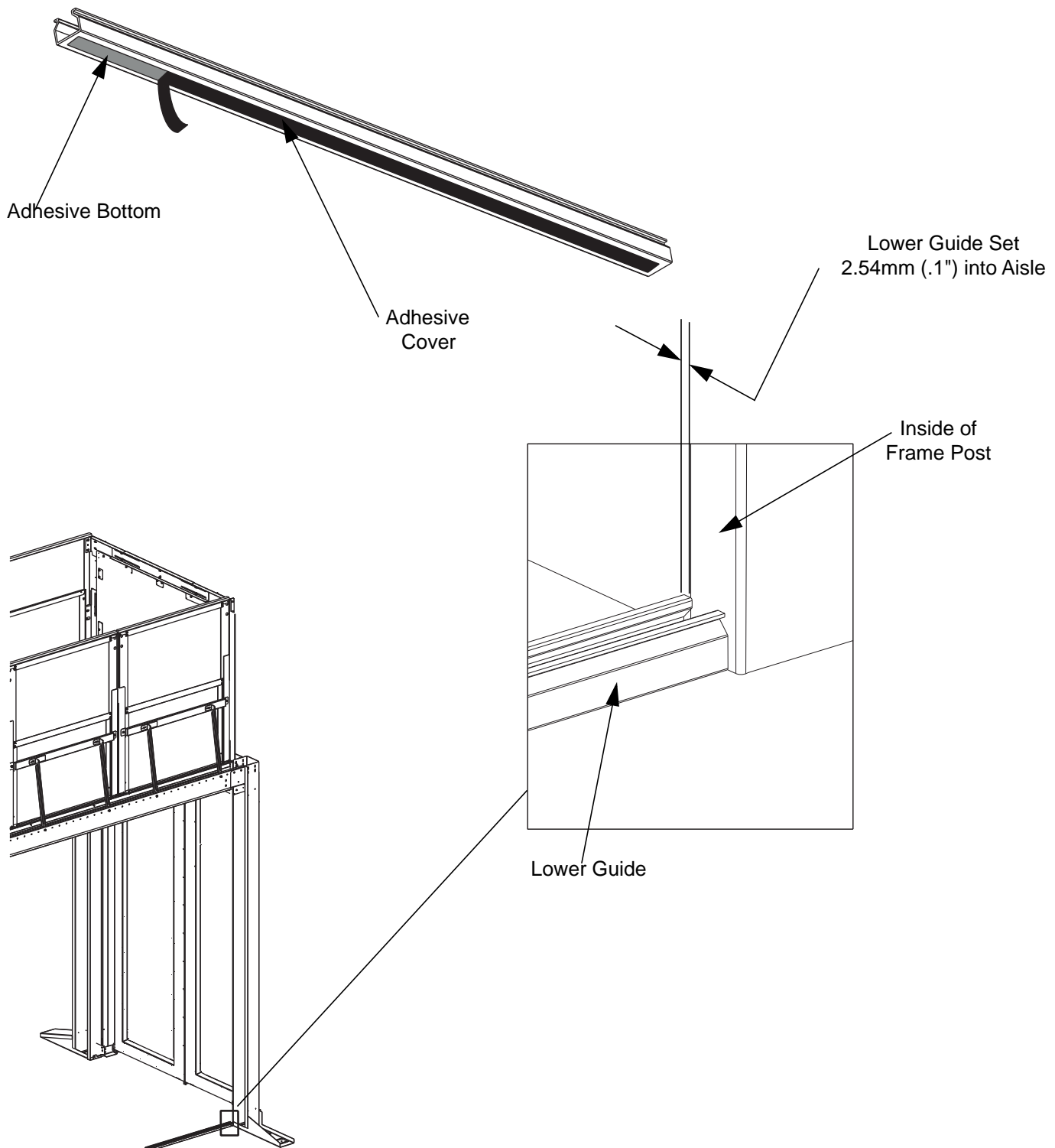
Cutting Blanking Panels

- Blanking panels may be cut to fill gaps that are smaller than 600mm.
- First, measure what width is needed and mark on blanking panel using a straight edge.
- Second, cut at the measured line.



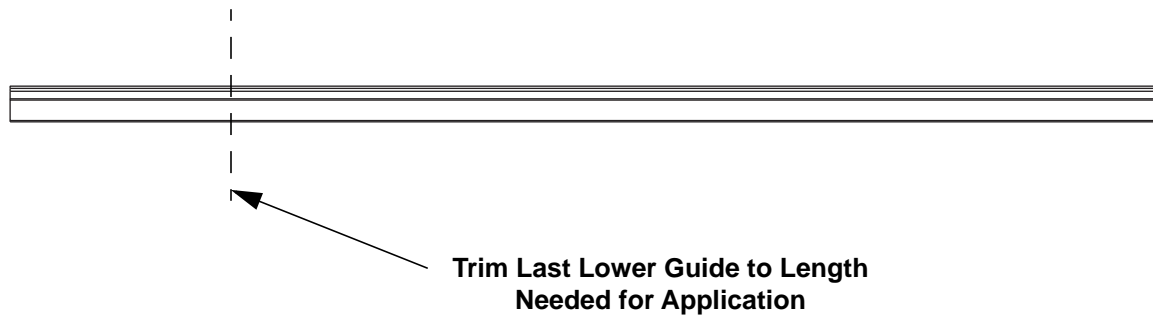
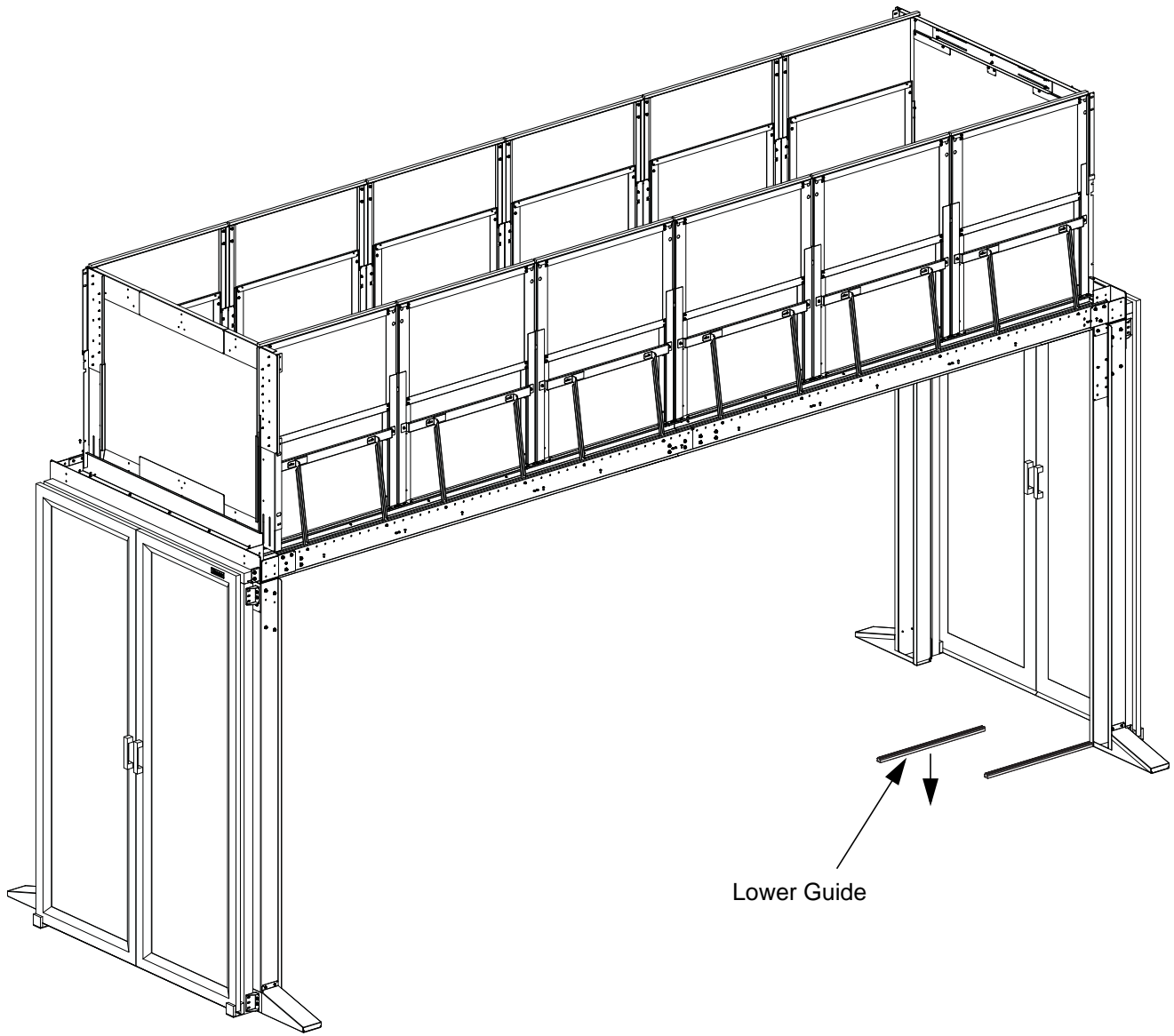
Placing First Lower Guide

- Remove cover off of adhesive strip on the bottom of the lower guide.
- Adhere lower guide to the floor with it being against the inside of the frame post and set 2.54mm (.1") into the aisle from the edge shown below.



Additional Lower Guides

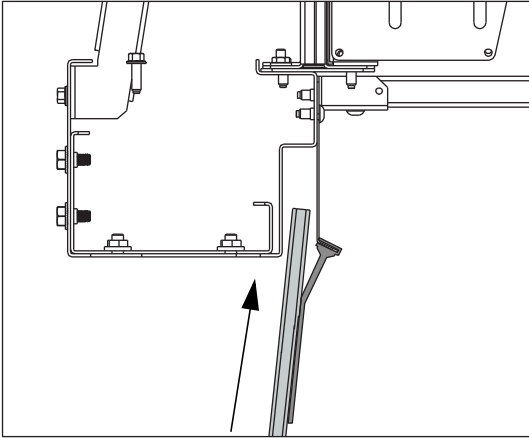
- Place each additional lower guide end to end to the other side of the POD.
- Trim last lower guide to length needed for application



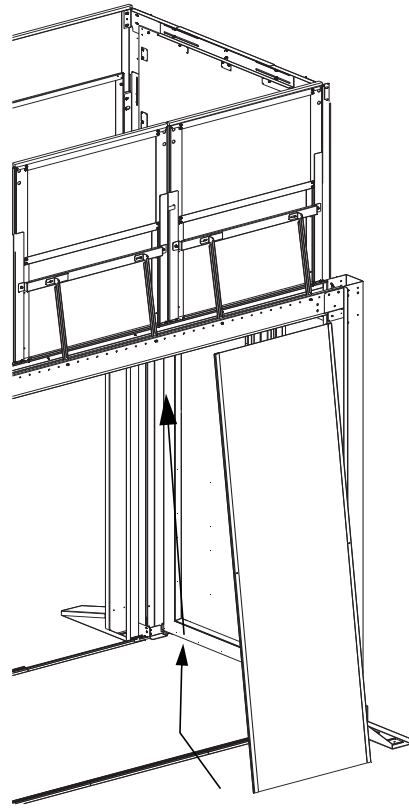
Blanking Panel Installation

- With the blanking panel on a slight angle, insert the top of the blanking panel into the gap between the wall beam and wall beam cover. (View 1)
- Once blanking panel is in gap rotate to 90 degrees to lower guides. (View 2)
- Let blanking panel slide down into lower guides. (View 3)
- Repeat process for all blanking panels required.

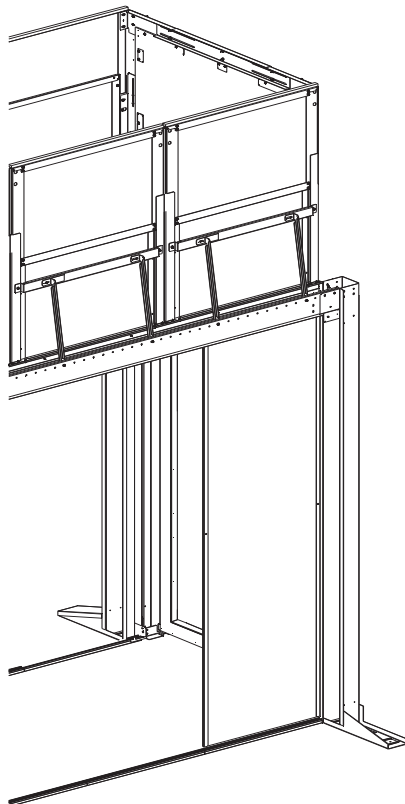
View 1



View 2



View 3

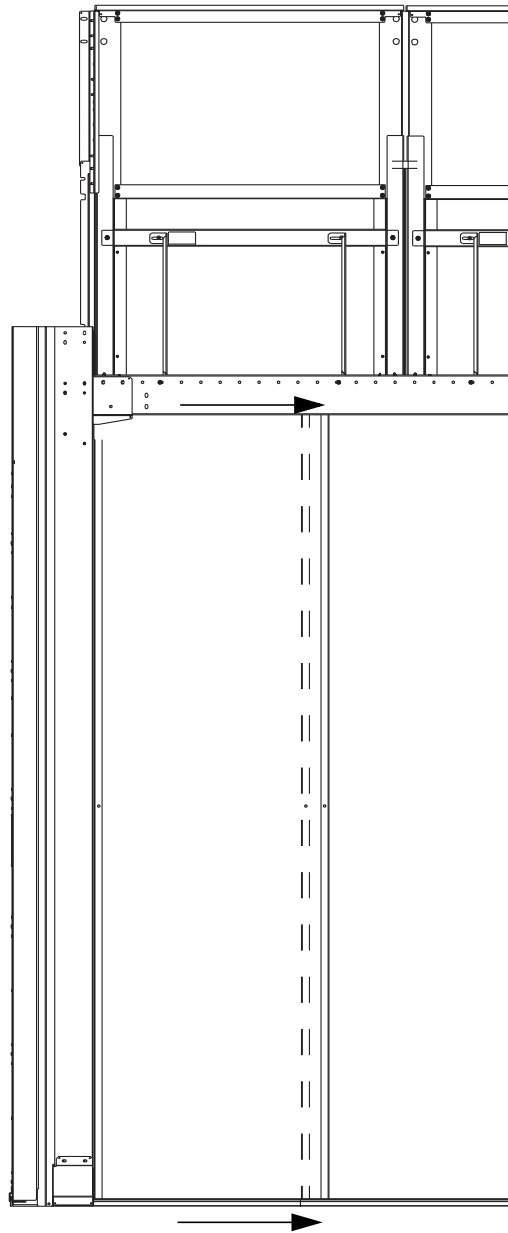


Over Lapping Blanking Panels

- Slide (1) blanking panel over lapping blanking panels as need to fit length of POD.



Top View-Blanking Panel Pattern



Sizing Above Cabinet Blanking Panel

- Measure from the top of the cabinet up into the gap of the wall beam where the blanking panel will extend into as show by dimension "Y" in Fig. 1.
- Trim the blanking panel to match dimension "Y" as shown in Fig. 2.

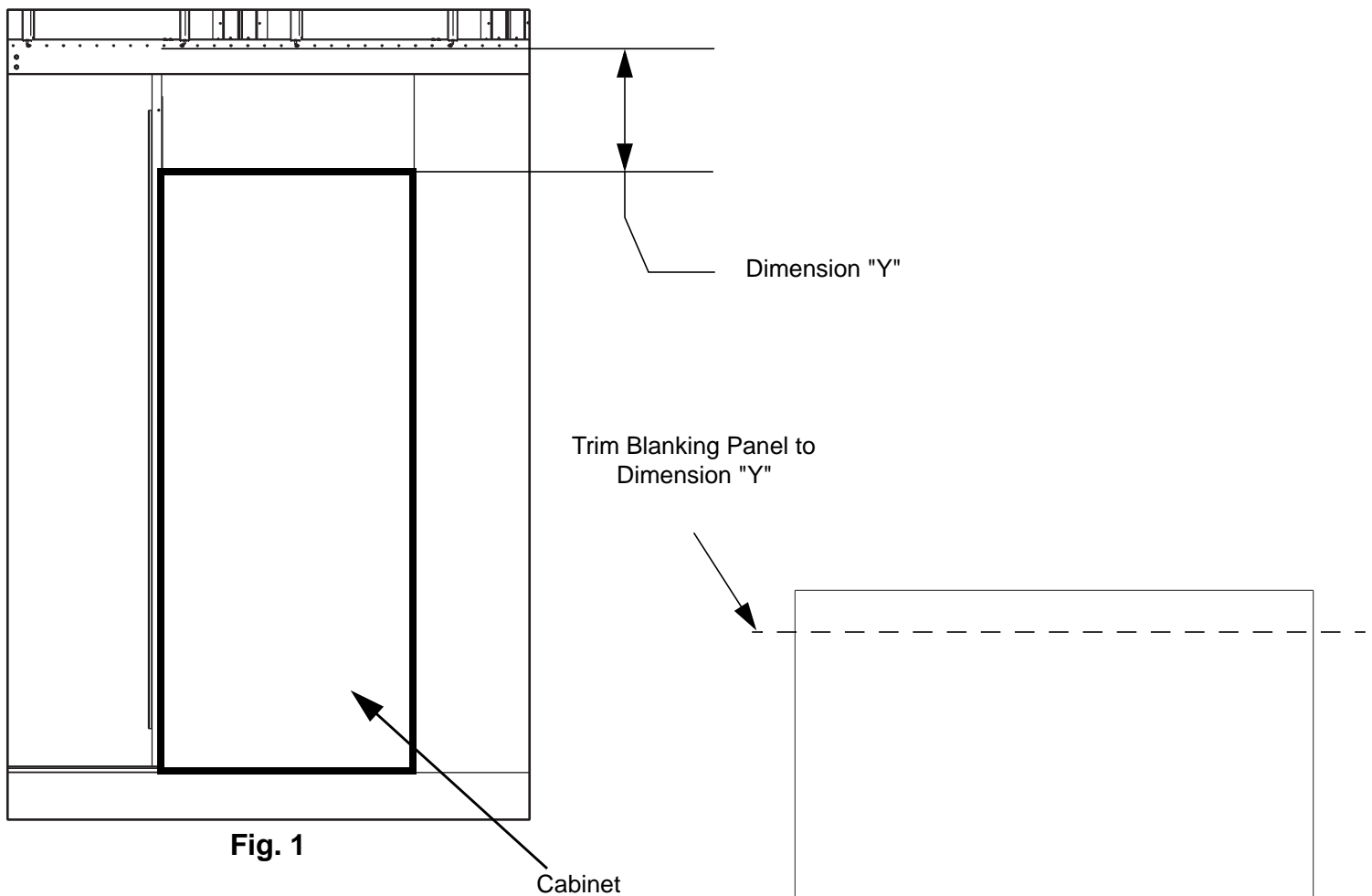


Fig. 1

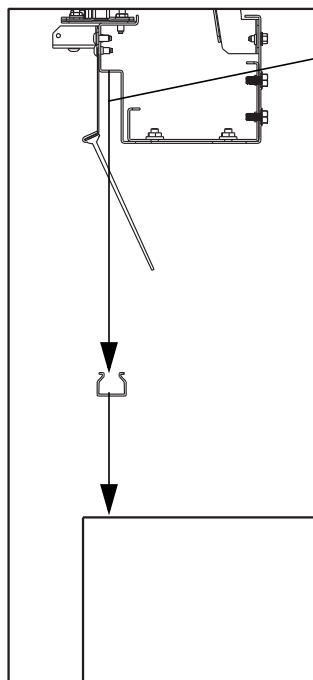
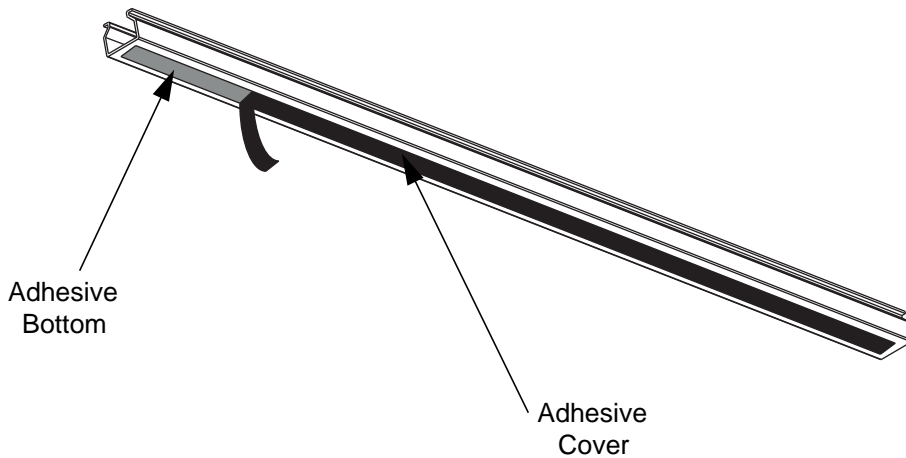
Cabinet

Trim Blanking Panel to
Dimension "Y"

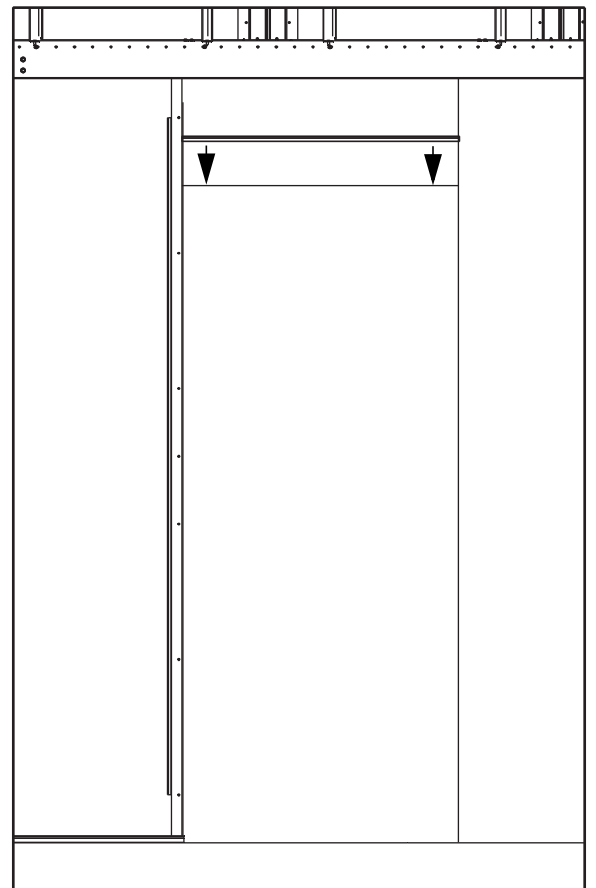
Fig. 2

Placing Lower Guide (For Above Cabinet Blanking Panel Only)

- Trim lower guide to the width of the cabinet.
- Remove cover off of adhesive strip on the bottom of the lower guide.
- Adhere lower guide to the top of the cabinet in alignment with the gap in the wall beam that the blanking panel will extend into.



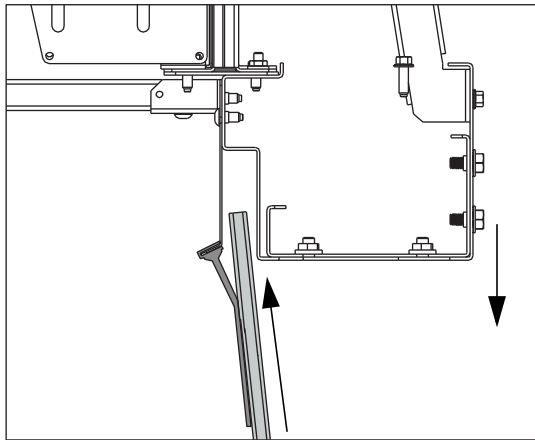
Align Wall Lower Guide with the Gap in the Wall Beam that the Blanking Panel will Fit into.



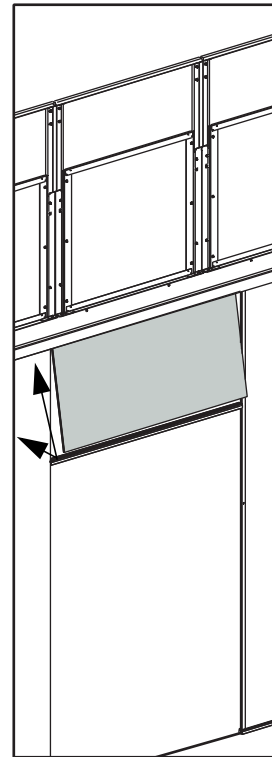
Blanking Panel Installation (For Above Cabinet Blanking Panel Only)

- With the blanking panel on a slight angle, insert the top of the blanking panel into the gap between the wall beam and wall beam cover. (View 1)
- Once blanking panel is in gap rotate to 90 degrees to lower guide. (View 2)
- Let blanking panel slide down into lower guide. (View 3)
- Repeat process for all blanking panels required.

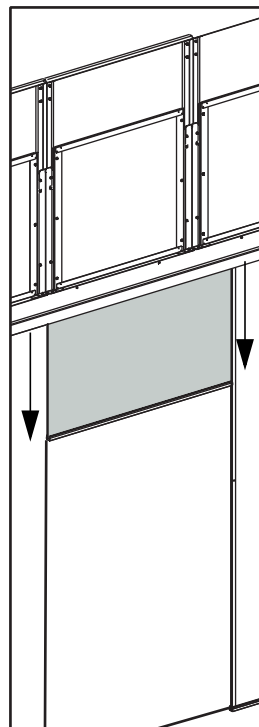
View 1



View 2



View 3



For Instructions in Local Languages
and Technical Support:

www.panduit.com/resources/install_maintain.asp

PANDUIT
www.panduit.com

E-mail:
techsupport@panduit.com

Phone:
866-405-6654