

Part number

CX 04 BM



Male modular insert, Mixo Bus series, coaxial,
4 poles, 10 A 50 V 0,8 kV 3, shielded

Product description		Material properties	
Product type	Modular insert	Main material	Polycarbonate
Series	Mixo Bus	Colour	RAL 7032 grey
Connection type	Coaxial	RoHs conformity	Compliant
Gender	Male	China RoHs - EFUP	E
N. of poles	4 poles	REACH SVHC substances	No
Specification	Shielded	Approvals / Standards	
Technical data		Reference standard	EN 61984:2009-06
Current	10 A	Certifications	CSA, CQC, DNV, EAC
Voltage	50 V	UL	ECBT2
Rated impulse withstand voltage	0,8 kV	cUL	ECBT8
Pollution degree	3	General ordering information	
Rated voltage according to UL/CSA	50 V	EAN13 code	8015747096010
IP degree of protection	IP20 without enclosure, IP65/IP66/IP68/IP69 with enclosure	eCl@ss 8.1	27440205
Further technical details		ETIM 7.0	EC000438
Characteristics according to EN 61984	10A 50V 0.8kV 3	Packaging Information	
Insulation resistance	≥ 10 GΩ	Packaging weight	0,67 kg
Contact resistance	≤ 3 mΩ	Packaging description	Carton box
Weight	7,70 g	Packaging quantity	10 Pcs
Operating temperature range (min, max)	-40°C ... +85°C	Packaging EAN code	8015747096027
UL 94 flammability rating	V-0	Sub-packaging length	185,00 mm
		Sub-packaging height	40,00 mm
		Sub-packaging width	155,00 mm
		Sub-packaging weight	0,07 kg
		Sub-packaging volume	1,15 dm ³
		Sub-packaging description	Plastic bag
		Sub-packaging quantity	1 Pcs
		Sub-packaging EAN barcode	8015747096034

Part number

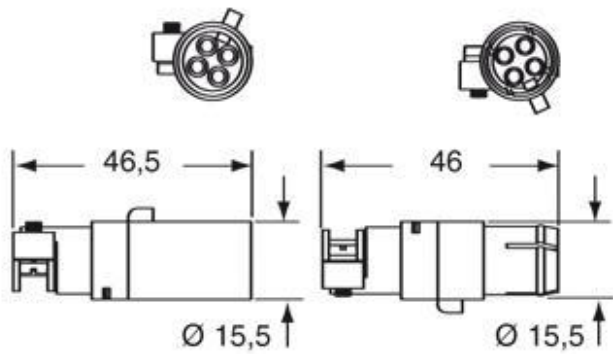
CX 04 BM



Catalogue drawings

CX 04 BF

CX 04 BM



Notes

Standard modular inserts:

-in combination with standard contacts and standard frames (CX ... TF/TM); must be mounted either in traditional enclosures or in COB panel supports (both up to 500 matings).

Dimensions shown in mm are not binding and may be changed without notice.