



WI130T-P340

W130

MINIATURE PHOTOELECTRIC SENSORS

SICK
Sensor Intelligence.



Illustration may differ



Ordering information

| Type | Part no. |
|-------------|----------|
| WI130T-P340 | 6032851 |

Other models and accessories → www.sick.com/W130

Detailed technical data

Features

| | |
|--|---|
| Dimensions (W x H x D) | 10.5 mm x 33.8 mm x 81.4 mm |
| Housing design (light emission) | Rectangular |
| Adjustment | Single teach-in button Cable |
| Special features | Fiber-optic photoelectric sensor Operation in combination with sensor heads from the W 130L series |

Mechanics/electronics

| | |
|---|------------------------------------|
| Supply voltage | 12 V DC ... 24 V DC |
| Current consumption | 50 mA |
| Switching output | PNP |
| Switching mode | Light/dark switching |
| Switching mode selector | Programmable |
| Output current $I_{max.}$ | ≤ 100 mA |
| Response time | 60 μs 500 μs 5 ms |
| Delay time | ON and OFF delay, 0 ... 9 s, |
| Connection type | Male connector M8, 4-pin |
| Circuit protection | A ¹⁾ D ²⁾ |
| Protection class | III |
| Weight | 20 g |
| Housing material | Plastic, PPE/PC |
| Enclosure rating | IP50 |
| Items supplied | Mounting bracket |

¹⁾ A = V_S connections reverse-polarity protected.

²⁾ D = outputs overcurrent and short-circuit protected.

³⁾ More than 2 devices mounted as a block max. 50 °C.

| | |
|--------------------------------------|---------------------------------|
| Ambient operating temperature | -25 °C ... +55 °C ³⁾ |
| Ambient temperature, storage | -40 °C ... +70 °C |

1) A = V_S connections reverse-polarity protected.

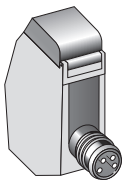
2) D = outputs overcurrent and short-circuit protected.

3) More than 2 devices mounted as a block max. 50 °C.

Classifications

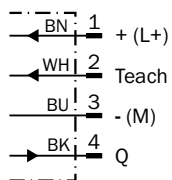
| | |
|-----------------------|----------|
| eCl@ss 5.0 | 27270905 |
| eCl@ss 5.1.4 | 27270905 |
| eCl@ss 6.0 | 27270905 |
| eCl@ss 6.2 | 27270905 |
| eCl@ss 7.0 | 27270905 |
| eCl@ss 8.0 | 27270905 |
| eCl@ss 8.1 | 27270905 |
| eCl@ss 9.0 | 27270905 |
| eCl@ss 10.0 | 27270905 |
| eCl@ss 11.0 | 27270905 |
| eCl@ss 12.0 | 27270905 |
| ETIM 5.0 | EC002651 |
| ETIM 6.0 | EC002651 |
| ETIM 7.0 | EC002651 |
| ETIM 8.0 | EC002651 |
| UNSPSC 16.0901 | 39121528 |

Connection type

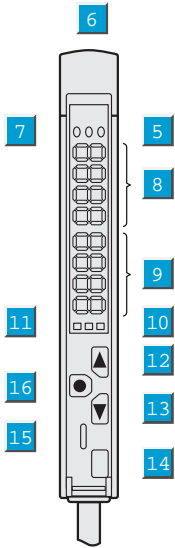


Connection diagram

Cd-092

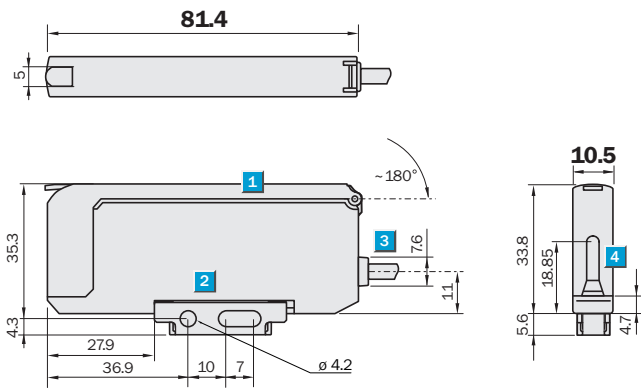


Adjustments



- ⑤ LED indicator: output 1
- ⑥ LED indicator: laser active
- ⑦ LED indicator: output 2
- ⑧ Display: measurement value
- ⑨ Display: switching point
- ⑩ Indicator: SET active
- ⑪ LED indicator: output 1 or 2 activated
- ⑫ Function key



Dimensional drawing (Dimensions in mm (inch))



- ① Protective hood opens approx. 180°
- ② Mounting bracket, included with delivery
- ③ Connection
- ④ Connection for sensor heads

Recommended accessories

Other models and accessories → www.sick.com/W130

| | Brief description | Type | Part no. |
|---|--|--------------------|----------|
| Plug connectors and cables | | | |
|  | Head A: female connector, M8, 4-pin, straight, A-coded Head B: Flying leads Cable: Sensor/actuator cable, PVC, unshielded, 5 m | YF8U14-050VA3XLEAX | 2095889 |
|  | Head A: male connector, M8, 4-pin, straight Cable: unshielded | STE-0804-G | 6037323 |

SICK AT A GLANCE

SICK is one of the leading manufacturers of intelligent sensors and sensor solutions for industrial applications. A unique range of products and services creates the perfect basis for controlling processes securely and efficiently, protecting individuals from accidents and preventing damage to the environment.

We have extensive experience in a wide range of industries and understand their processes and requirements. With intelligent sensors, we can deliver exactly what our customers need. In application centers in Europe, Asia and North America, system solutions are tested and optimized in accordance with customer specifications. All this makes us a reliable supplier and development partner.

Comprehensive services complete our offering: SICK LifeTime Services provide support throughout the machine life cycle and ensure safety and productivity.

For us, that is “Sensor Intelligence.”

WORLDWIDE PRESENCE:

Contacts and other locations –www.sick.com