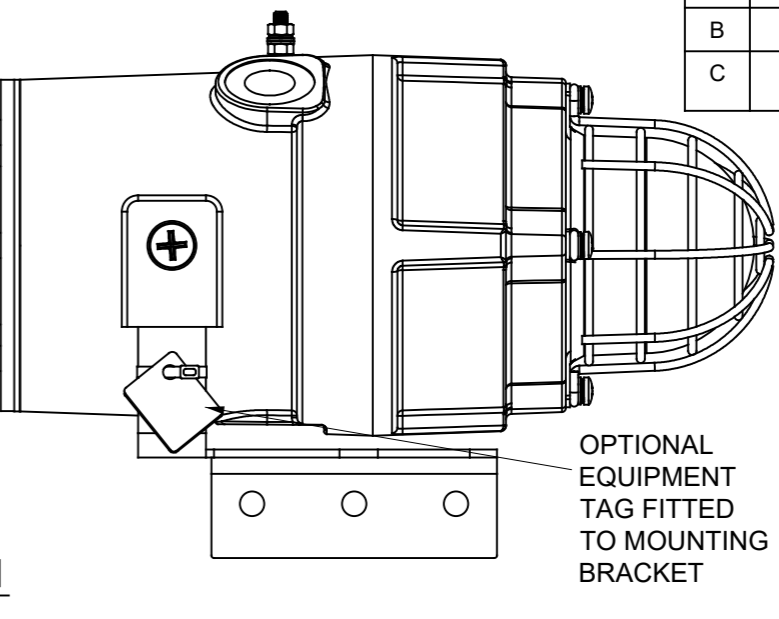
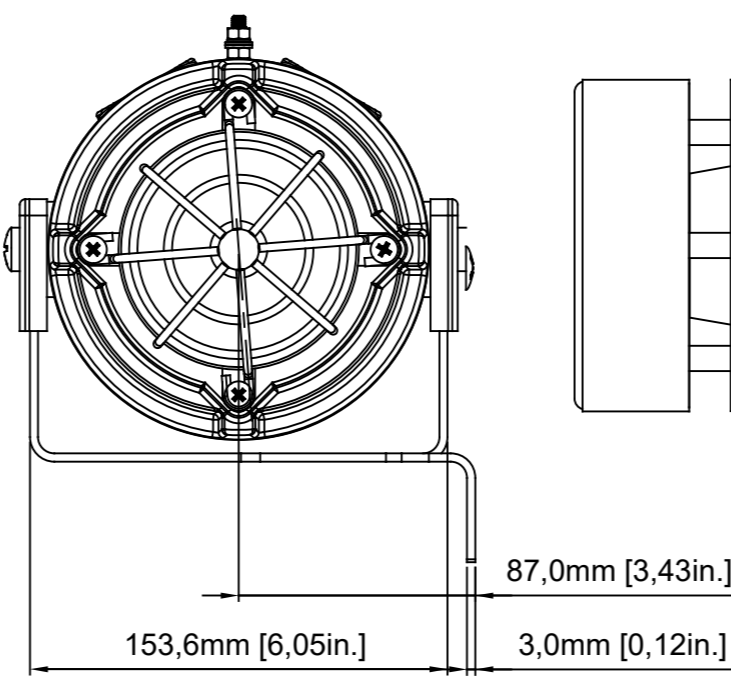
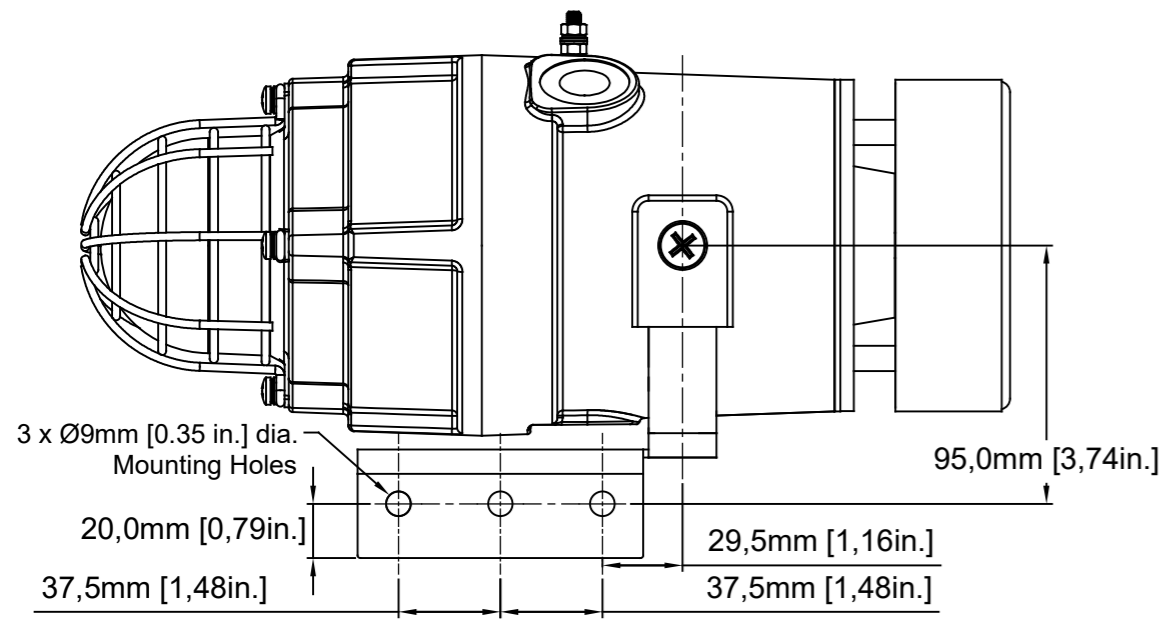
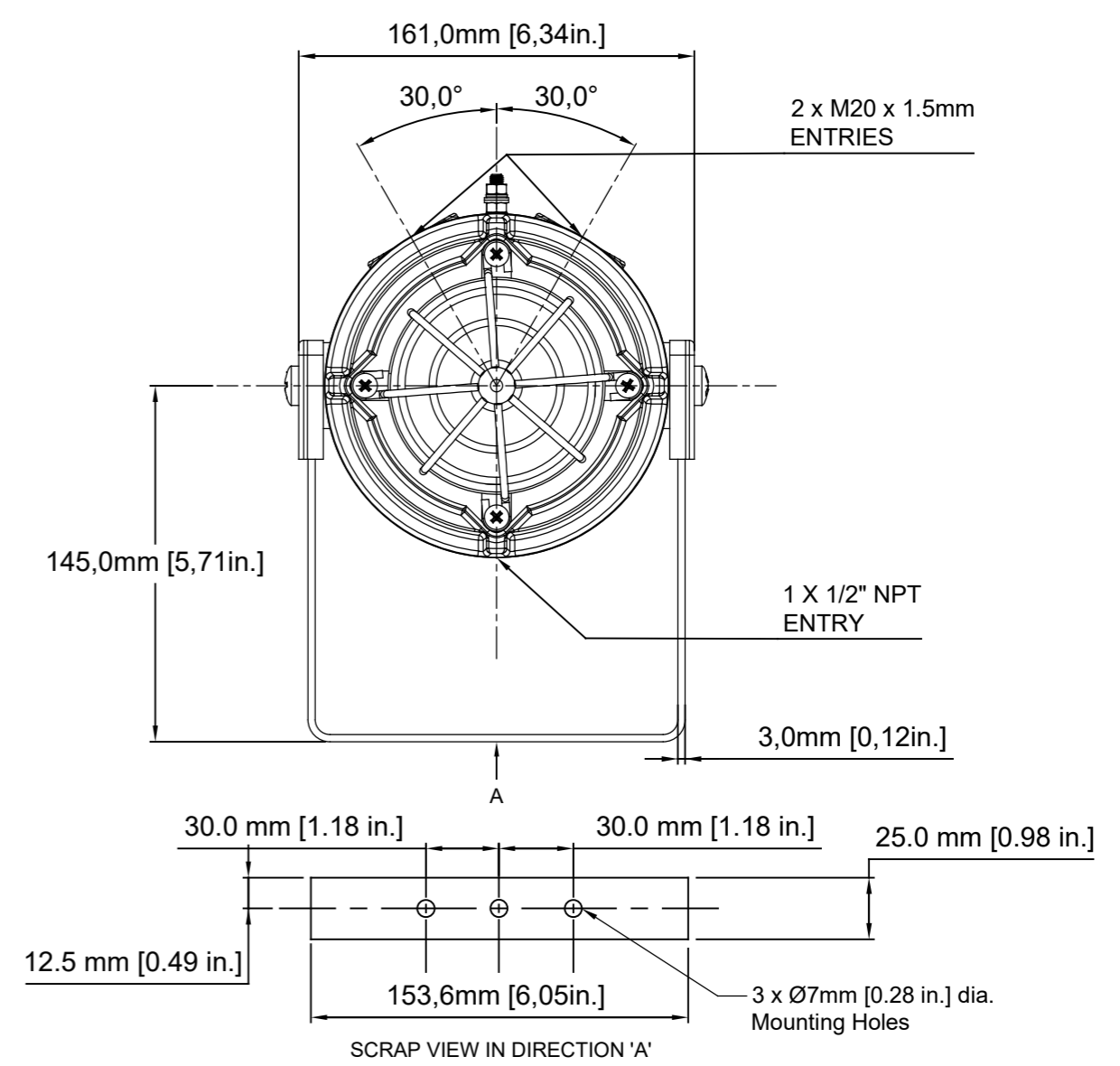
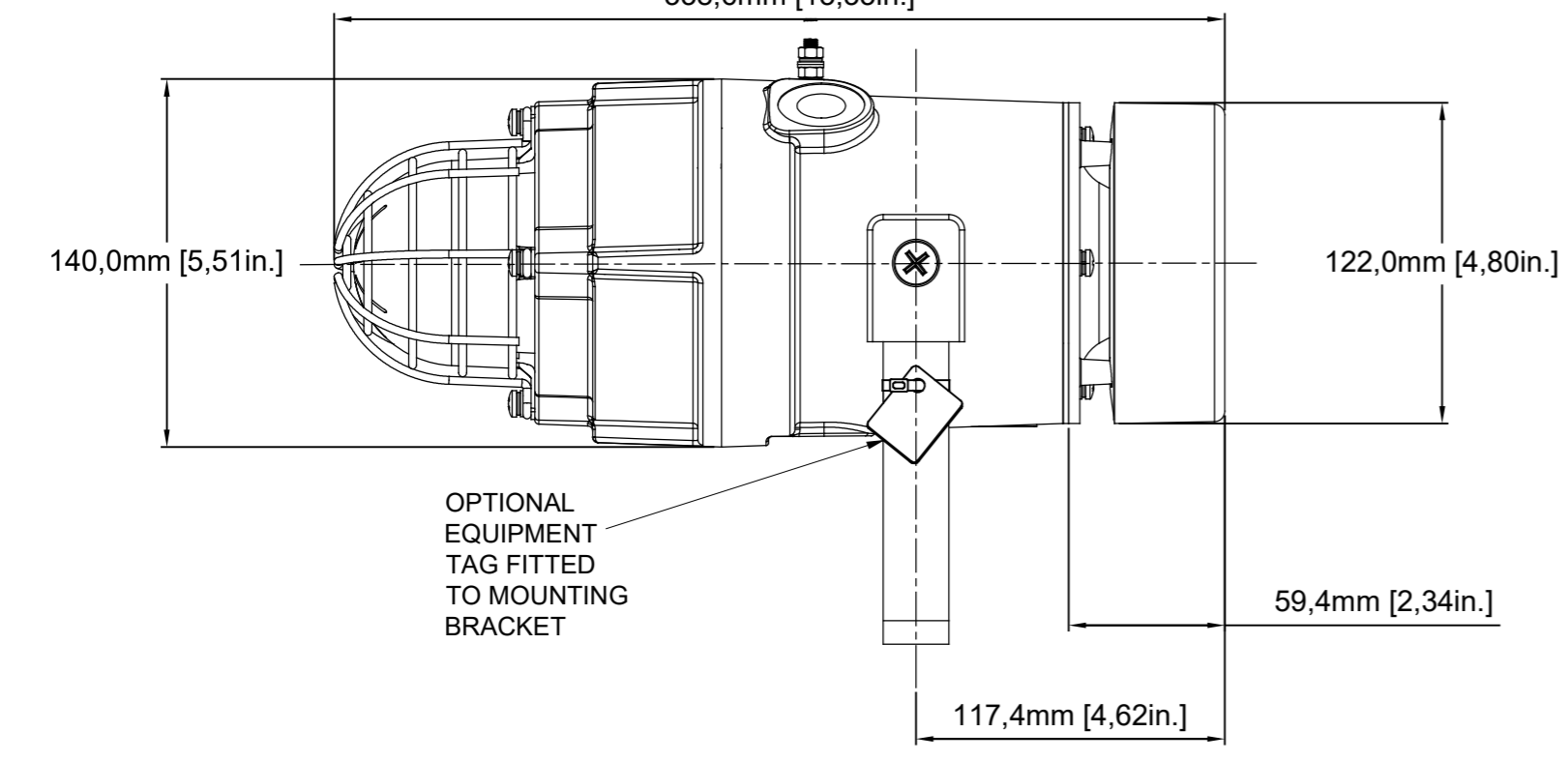


ISSUE	MOD No.	INITIAL/DATE
B		ENTRIES SHOWN. DRAWING NO. CORRECTED, ADDED ALT. BRACKET RSR 28-02-2022
C		SURFACE BRACKET TYPE NOW HAS 3 HOLES WITH DIM 37.5 SPACING, WAS 2 HOLES AT 75 DH 17-05-2022



SURFACE BRACKET TYPE - BRACKET GUARD MATERIAL OPTION [s]:
 '6' SURFACE BRACKET A4 316 SS OR
 '7' SURFACE BRACKET A4 316 SS WITH EQUIP. TAG

STANDARD BRACKET TYPE - BRACKET GUARD MATERIAL OPTION [s]:
 '1' A4 316 SS OR
 '3' A4 316 SS WITH EQUIP. TAG



E2S PART NO.	DESCRIPTION	DATA REFERENCE
D1xC1X05R	D1XC1X05R COMBINED 5J BEACON AND S1 SOUNDER WITH RADIAL HORN (Ex d)	1.23.055
D1xC1X10R	D1XC1X10R COMBINED 10J BEACON AND S1 SOUNDER WITH RADIAL HORN (Ex d)	1.23.065
D1xC2X05R	D1XC2X05R COMBINED 5J BEACON AND S2 SOUNDER WITH RADIAL HORN (Ex d)	1.23.075
D1xC2X10R	D1XC2X10R COMBINED 10J BEACON AND S2 SOUNDER WITH RADIAL HORN (Ex d)	1.23.085

DRAWING TO BS8888:2000 GEOMETRIC TOLERANCES TO ISO1101:1983 LINEAR DIMENSIONAL TOLS ANGULAR DIMENSIONAL TOLS	DRAWN R. S. RAIT DATE 22-04-2020	SURFACE FINISH	WEIGHT (Kg)	THIS DRAWING AND ANY INFORMATION OR DESCRIPTIVE MATTER THEREIN IS COMMUNICATED IN CONFIDENCE AND IS THE COPYRIGHT PROPERTY OF EUROPEAN SAFETY SYSTEMS LTD. NEITHER THE WHOLE OR ANY EXTRACT MAY BE DISCLOSED, LOANED, COPIED OR USED FOR MANUFACTURING OR TENDERING PURPOSES WITHOUT THEIR WRITTEN CONSENT. EUROPEAN SAFETY SYSTEMS LTD. AS PER LATEST DATE OF ISSUE SHOWN ABOVE	 warning signals EUROPEAN SAFETY SYSTEMS LTD IMPRESS HOUSE MANSELL ROAD ACTON LONDON W3 7QH WWW.E2S.COM	ALL DIMENSIONS IN MM IF IN DOUBT, ASK - DO NOT SCALE	 A2
	CHECKED B. ISARD DATE 22-04-2020	MATERIAL	TITLE D1xC COMBINED SOUNDER BEACON RADIAL Ex d RANGE - OUTLINE				
	APPROVED R. N. POTTS DATE 22-04-2020	ALTERNATIVE MATERIAL	SCALE 1:2			SHEET 1 OF 1	