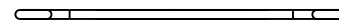
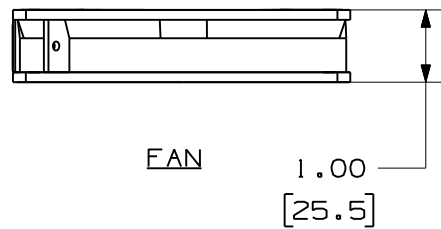
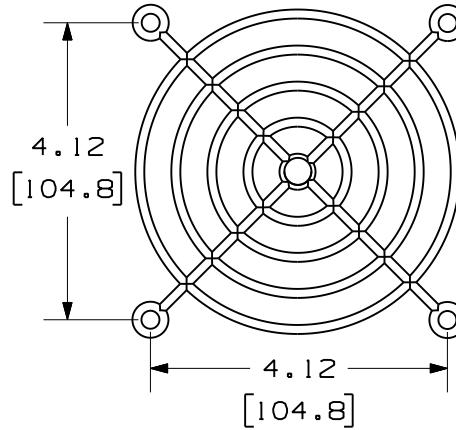
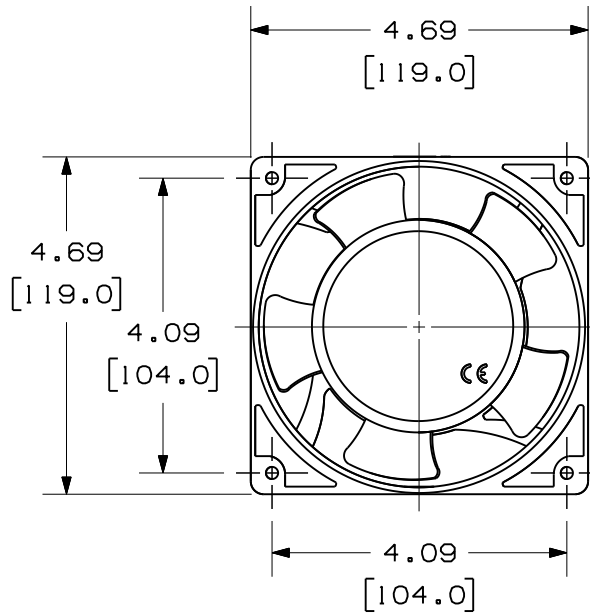


THIS COPY IS PROVIDED ON A RESTRICTED BASIS AND IS NOT TO BE USED IN ANY WAY DETRIMENTAL TO THE INTERESTS OF PANDUIT CORP.

PANDUIT P/N	WEIGHT
PZAEFK-E	2.05 LB/EACH PC (929.9 g/EACH PC)

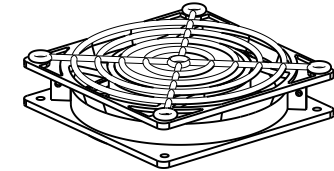



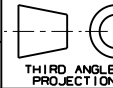
FAN GUARD

FAN
1.00
[25.5]

NOTES:

- SEE CATALOG FOR COMPLETE LIST OF PARTS APPLICABLE FOR USE WITH THIS PART.
- DIMENSIONS IN PARENTHESES ARE IN METRIC.
- PART INCLUDES:
 - 1- 4.68" FAN
 - 2- FAN GUARD
 - 1- SCHUKO WIRE HARNESS ASSEMBLY
 - 4- MOUNTING SCREW
 - 5- LOCK WASHER
 - 4- HEX NUT
 - 1- #8-32 SCREW
- FAN RATING:
 - VOLT- 230V AC
 - CFM- 61CFM
 - CE MARKED FOR EU LVD



MODEL FILENAME	MO1247AT/01	SIZE	A
DRAWING FILENAME	MO1247AT_DC/01A	4.68" ^W , 61CFM, 230V AC FAN FOR PANZONE™ ACTIVE ENCLOSURE CUSTOMER DRAWING	
 PANDUIT ™ CORP. TINLEY PARK, ILL 60477		I.I. NUMBER	N/A
ALL DIMENSIONS ARE GIVEN IN INCHES, UNLESS OTHERWISE SPECIFIED. DIMENSIONAL TOLERANCES ARE: (.X) ± (.XXX) ± (.XX) ± ANGLS ±		PRODUCT SPEC	N/A
 THIRD ANGLE PROJECTION		WORK INSTRUCTION	N/A
DRAWN BY: BAME DATE: 1-12-09 CHK'D: BAME		SCALE	NONE
MATERIAL: FAN HOUSING: CAST ALUMINUM FAN BLADES: PBT FAN GUARD: CHROME PLATED STEEL		PART NO.	MO1247AT-DC
		DRAWING NO.	MO1247AT-DC

REV	DATE	BY	CHK	DESCRIPTION	ECN	R	CUST	SUP	OTH
O1A	11-16-12	RYB	BAME	ADDED CE MARK					
O0A	1-12-09	BAME		RELEASED TO PRODUCTION					